

Saaku Sauna (Helo CUP) QSG (Quick Start Guide)

Mounting Heater

See template and heater mounting instruction packed in box with heater. Drill four 9/64" holes to fasten the heater to the wall. Install two 1/4" x 1 1/2" hex head lag screws with two washers on each screw (supplied with the heater) into the upper two holes. Tighten these screws until their heads are about 1/8" from the wall surface. The screws must be threaded through the wall into a framing member or backing board to support the heater weight. Hang the heater on the two upper screws. Locate the two 1/4" x 1" hex head lag screws (supplied with the heater) then install them into the two lower mounting holes. Tighten to lock the heater in place.

Electrical Access:

1. Remove the bottom cover from under the heater.
2. Remove the lower right cover to access electrical connections.

Electrical Connection of Heater

The sauna heater must be connected to the supply voltage by a qualified electrician.

Must use 90°C rated wiring with copper wire. Heater must be grounded!

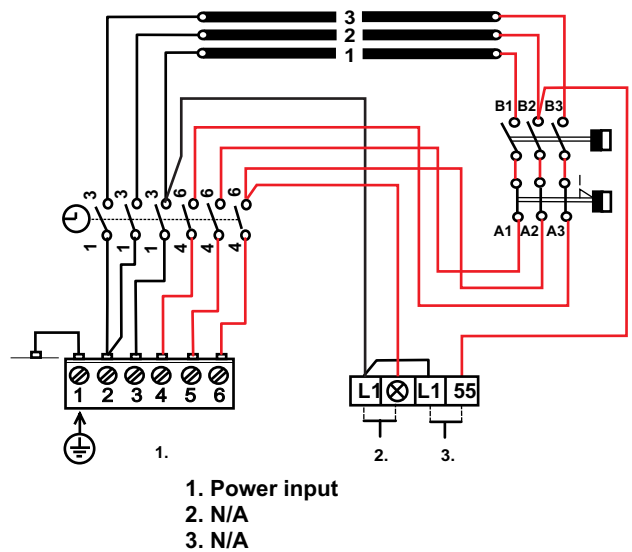
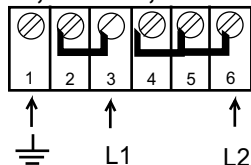
Route the feed wires through the holes provided in the bottom of the heater and connect wires under the screw terminals. See chart below for correct wire size.



**Heaters are dual rated for 230volt and 240volt, single phase.
Table below shows 240 volt North American Standards:**

HEATER MODEL / Product Number	Phase	Voltage	Amps	Breaker	90 ° Wire Size (AWG)	kW
CUP 30 1712-30-171809	1	230	13.0	20	12-2 W/G	3.0
	1	240	13.3	20	12-2 W/G	3.2
CUP 45 1712-45-171809	1	230	17.4	20	10-2 W/G	4.0
	1	240	18.3	20	10-2 W/G	4.4
CUP 60 1712-60-171809	1	230	23.9	30	10-2 W/G	5.5
	1	240	25.0	30	10-2 W/G	6.0
CUP 80 1712-80-171809	1	230	31.7	40	8-2 W/G	7.3
	1	240	33.3	40	8-2 W/G	8.0
CUP 90 1712-90-171809	1	230	36.1	40	8-2 W/G	8.3
	1	240	37.9	40	8-2 W/G	9.1

**240V / 1 Phase
3,0 kW - 9,0 kW**

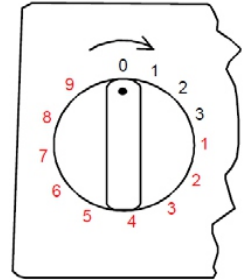


Saaku Sauna (Helo CUP) QSG (Quick Start Guide)

Timer

The sauna heater is controlled by multi-stage timer. The timer is set by twisting the knob clockwise to desired setting. 1-3 refers to the run time (1, 2, or 3 hour duration).

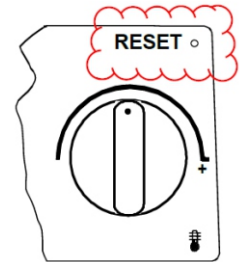
- 0 position. The sauna heater is off.
- Operating time 1–3 hours. To set, turn timer knob past "3", then turn back to desired duration. Recommend run time is one hour. (You will hear contactor engage when turning back to the "run zone")
- The sauna heater will heat up at full power, controlled by the sauna thermostat temperature setting.
- If the switch has not traveled back to 0 position after finishing bathing, turn it to 0 manually
- Preset Start Time: 1–9 hours.
- Turn the timer to delay zone and select the delay time (in hours). Once the delay lapses, the sauna will begin and 3 hour run cycle.



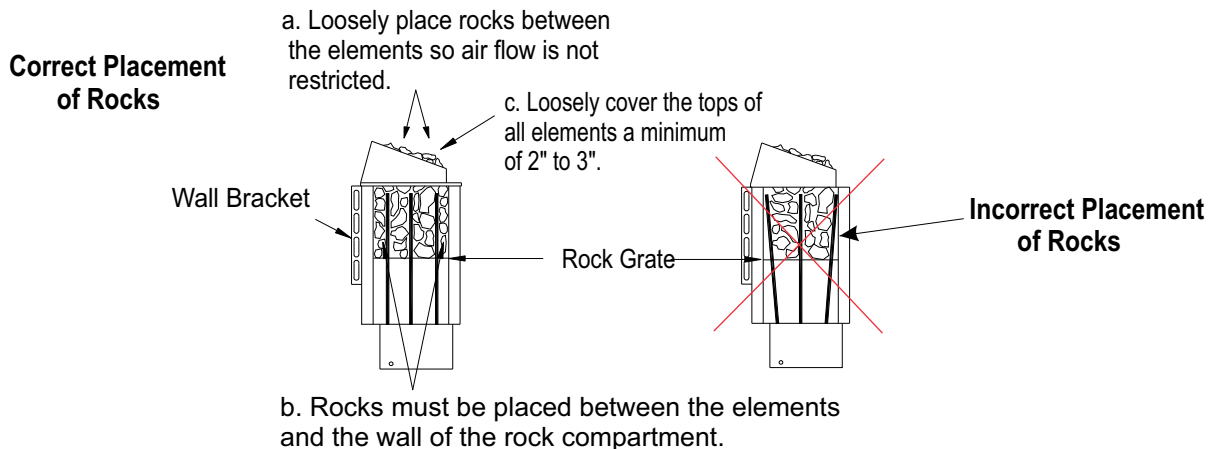
Thermostat

The thermostat knob is next to the timer knob. The further right (clockwise) the knob is switched, the higher the temperature in the sauna room.

The best way to find your ideal temperature is to first turn the thermostat to maximum and let the temperature rise to the desired temperature. Subsequently, turn the thermostat knob slowly counter-clockwise until you hear a gentle clicking sound. If you want to re-adjust the temperature, turn the thermostat gradually until the temperature is ideal. The thermostat has an integrated temperature high limit with a reset button next to the top right of the thermostat knob.



The thermostat will not operate correctly if the stones are piled too densely or they are too small.



1. Put smaller rocks in first around the outer perimeter of the heating chamber.
2. Completely fill all four sections (front, 2 center sections between elements, and back).
3. In the outer sections, use smaller rocks placed more tightly (see note b).
4. Place rocks loosely in the center 2 sections (see note a).
5. Be sure rocks completely cover the elements (see note c).
6. Loosely cover the tops of all elements a minimum of 2" to 3".