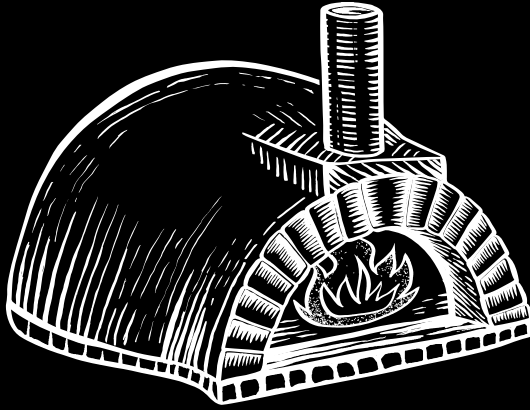

H A N D M A D E B R I C K O V E N S

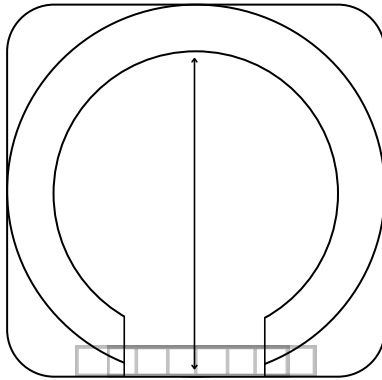
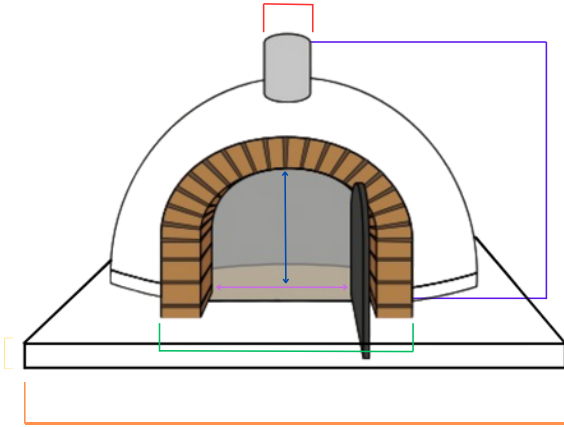


Proforno

Informational Guide

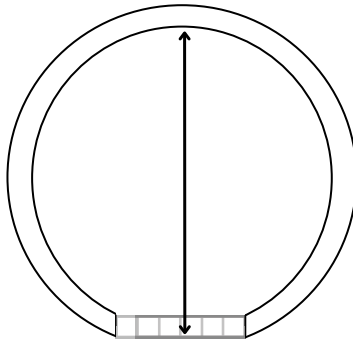
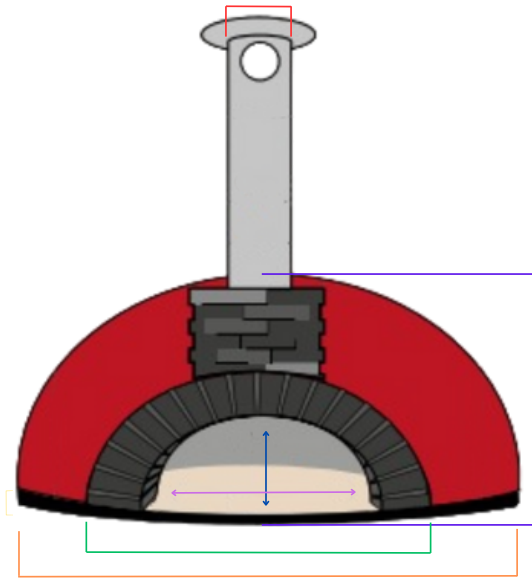
WWW.PROFORNO.COM

Traditional Brick Ovens



Oven Name	Chimney	Base L x W	Base Height	Arch Width	Door WxH	Interior Height	Internal Diameter	Dome Height	Interior Length
Royal	5.5"	39.5"x39.5"	2"	27"	15.5"x14"	17"	29"	33"	33"
Romano	6"	43"x43"	2"	30"	20"x10"	16"	32"	32"	36"
Med Pro	8"	43"x43"	2"	30"	19"x12"	15"	31"	31"	36"

Traditional Brick Ovens



Oven Name	Chimney	Base Diameter	Base Height	Arch Width	Door WxH	Interior Height	Internal Diameter	Dome Height	Interior Length
Tonio	5"	36"	3"	21"	16"x9"	14"	28"	21"	32"

