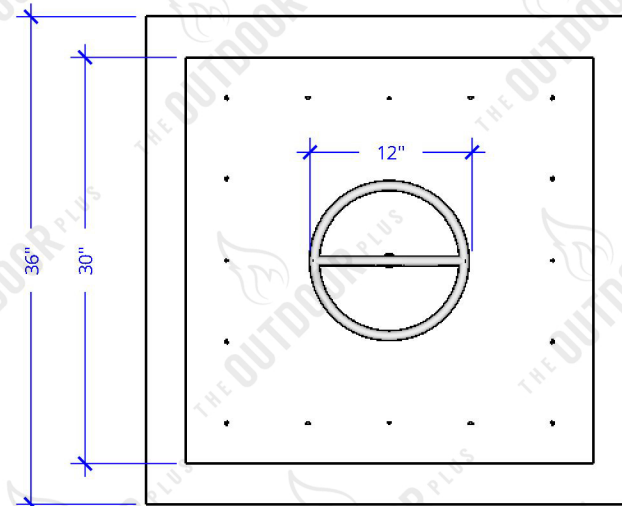
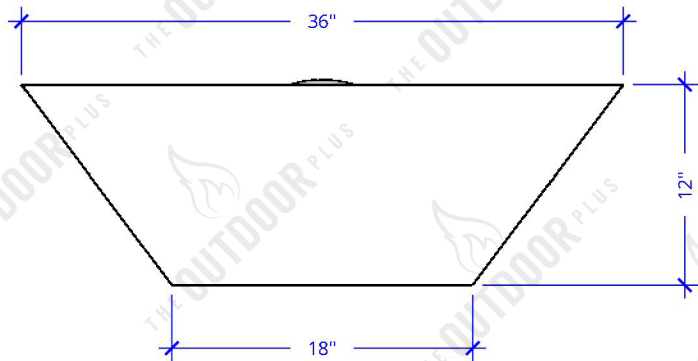


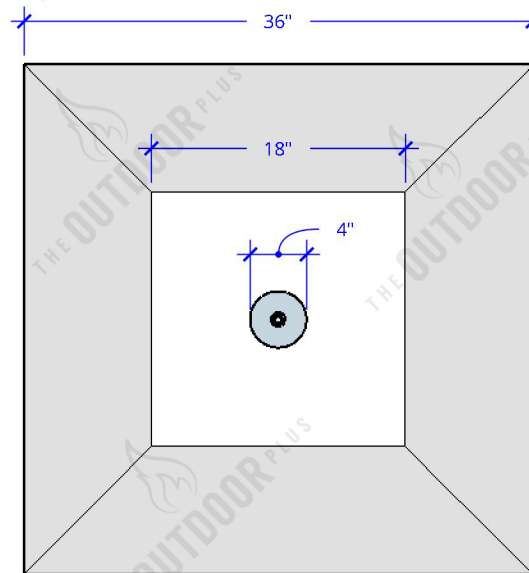
**ISOMETRIC VIEW**



**TOP VIEW**



**FRONT VIEW**



**BOTTOM VIEW**

<b>36" Maya Hammered Copper Fire Bowl - Match Lit</b>	
<b>SKU</b>	OPT-103-SQ36
<b>Material</b>	COPPER
<b>Finish</b>	HAMMERED PATINA COPPER
<b>Gas Type</b>	NG OR LP
<b>Weight</b>	APPROX. 45 LBS
<b>BTUs</b>	65,000
<b>Sugg. Fire Glass</b>	APPROX. 100 LBS.