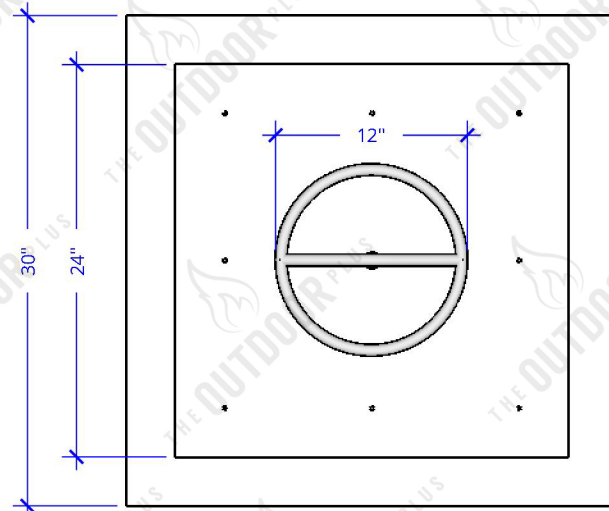
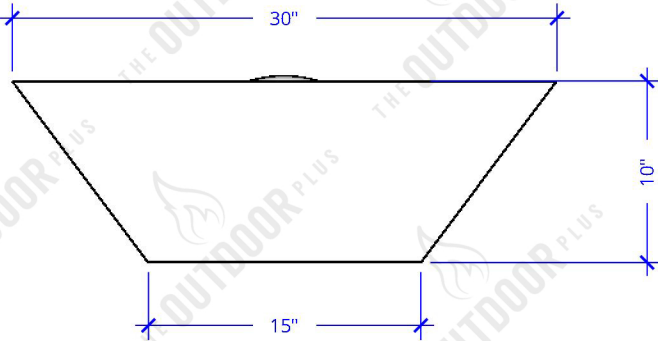


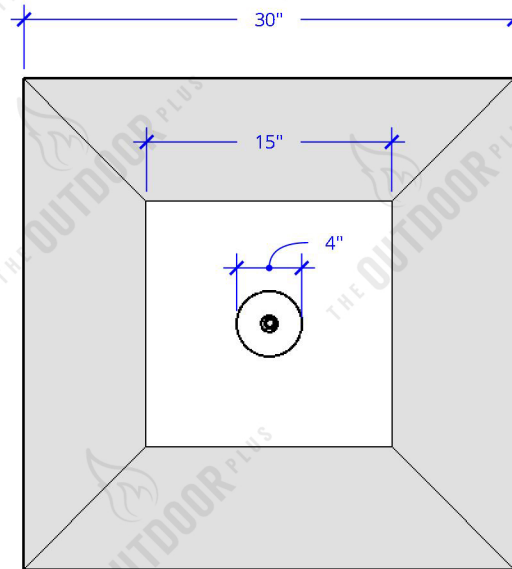
**ISOMETRIC VIEW**



**TOP VIEW**



**FRONT VIEW**



**BOTTOM VIEW**

**30" Maya Hammered Copper Fire Bowl - Match Lit**

<b>SKU</b>	OPT-103-SQ30
<b>Material</b>	COPPER
<b>Finish</b>	HAMMERED PATINA COPPER
<b>Gas Type</b>	NG OR LP
<b>Weight</b>	APPROX. 30 LBS
<b>BTUs</b>	65,000
<b>Sugg. Fire Glass</b>	APPROX. 75 LBS.