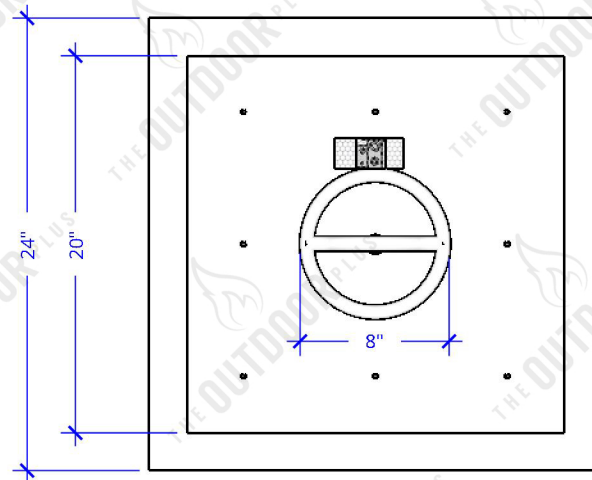
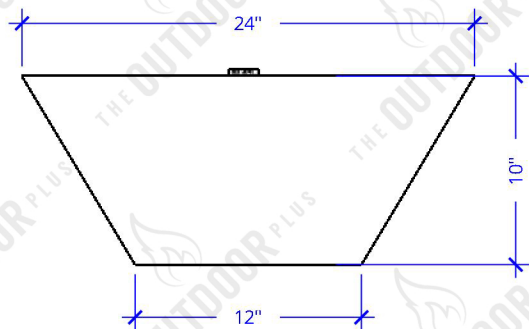


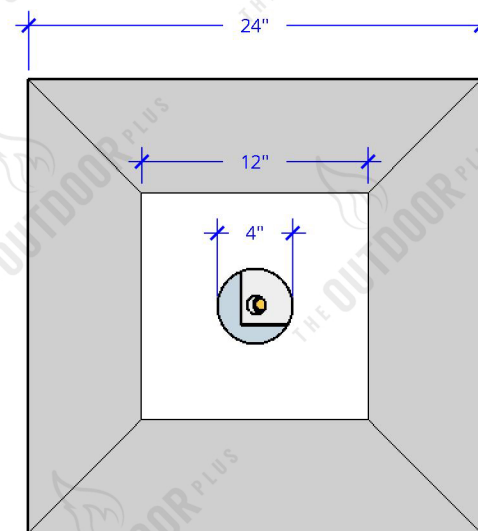
ISOMETRIC VIEW



TOP VIEW



FRONT VIEW



RIGHT VIEW

**24" Maya Hammered Copper Fire Bowl -
ELECTRONIC IGNITION**

SKU	OPT-103-SQ24E12
Material	COPPER
Finish	HAMMERED PATINA COPPER
Gas Type	NG OR LP
Weight	APPROX. 15 LBS
BTUs	65,000
Sugg. Fire Glass	APPROX. 50 LBS.