



**BULL DUAL FUEL  
COUNTERTOP  
PIZZA OVEN  
MODELS  
69550 LP  
(LIQUID PROPANE GAS)  
69564 NG  
(NATURAL GAS)**

**USER GUIDE**





## **DUAL FUEL COUNTERTOP PIZZA OVEN**

**MORE THAN JUST A PIZZA OVEN.**

Take your cooking game to a new level with our next-generation portable, multi-fuel, and multi-functional outdoor oven.

Featuring Bluetooth connectivity and a custom-developed app for accurate and controlled temperature monitoring, the Bull Dual Fuel Countertop Pizza Oven is engineered to provide the ultimate outdoor cooking experience.

**[WWW.BULLBBQ.COM](http://WWW.BULLBBQ.COM)**





<b>TABLE OF CONTENTS</b>	<b>PAGE NO.</b>
SAFETY AND OPERATIONAL GUIDELINES	5-7
OVEN SPECIFICATION INFORMATION	8
'WHATS IN THE BOX'	9
UNBOXING DUAL FUEL COUNTERTOP PIZZA OVEN	11-12
SETTING UP DUAL FUEL COUNTERTOP PIZZA OVEN	13-14
GAS FIRE UP	16-17
GAS SAFETY	19-20
WARNING 'IN THE EVENT OF FIRE'	21
WOOD FIRE UP	22
FIRING UP WITH WOOD	23-24
MAINTENANCE	25
REPLACING THE STONE	26
INSTALLING THE APP AND REGISTERING YOUR PIZZA OVEN	
INSTRUCTIONS FOR ORDERING REPLACEMENT PARTS	27
REPLACEMENT PART LIST	28
REFERENCE DRAWING FOR REPLACEMENT PARTS	29
WARRANTY POLICY	30-33

READ THIS ENTIRE MANUAL CAREFULLY AND RETAIN FOR FUTURE REFERENCE.

BE SURE YOUR GRILL IS PROPERLY INSTALLED, ASSEMBLED AND CARED FOR. FAILURE TO FOLLOW THESE INSTRUCTIONS MAY RESULT IN SERIOUS BODILY INJURY AND/OR PROPERTY DAMAGE. IF YOU HAVE QUESTIONS CONCERNING ASSEMBLY OR OPERATION, CONSULT YOUR DEALER, GAS APPLIANCE SERVICE REPRESENTATIVE OR YOUR GAS COMPANY. NOTE TO INSTALLER: LEAVE THESE INSTRUCTIONS WITH THE CONSUMER AFTER INSTALLATION.

- NOTE TO THE CONSUMER: RETAIN THESE INSTRUCTIONS FOR FUTURE REFERENCE.

- THIS OUTDOOR COOKING GAS APPLIANCE IS NOT INTENDED TO BE INSTALLED IN OR ON RECREATIONAL VEHICLES AND/OR BOATS.

 **WARNING:** THIS PRODUCT CAN EXPOSE YOU TO CHEMICALS INCLUDING CARBON MONOXIDE, WHICH IS KNOWN TO THE STATE OF CALIFORNIA TO CAUSE BIRTH DEFECTS OR OTHER REPRODUCTIVE HARM. FOR MORE INFORMATION VISIT [www.P65Warnings.ca.gov](http://www.P65Warnings.ca.gov) 

**WARNING:** Fuels used in gas or oil-fired appliances and the products of combustion of such fuels, contain chemicals known to the State of California to cause cancer, birth defects and/or reproductive harm. This warning is issued pursuant to California Health & Safety Code Sec. 25249.6.



# WARNING

Please carefully read and follow all instructions and warnings outlined in the user guide before using the appliance. To reduce the risk of fire hazards, follow all warnings and instructions before assembling and when using the appliance.

- ⚠ WARNING: Accessible parts may be very hot. Keep young children away.
- ⚠ WARNING: This barbecue will become very hot, do not move it during operation.
- ⚠ Do not use indoors!
- ⚠ WARNING! Do not use spirit or petrol for lighting or re-lighting! Use only firelighters complying to EN 1860-3.
- ⚠ WARNING! Keep children and pets away.
- ⚠ The regulator to be used indicating that it shall comply with the EN 16129.
- ⚠ The hose to be used shall comply with local laws and regulations.
- ⚠ The hose connecting the appliance to the gas container and the length recommended which shall not exceed 59 inches (shall not exceed 1.20m in Finland).
- ⚠ This appliance must be kept away from flammable materials during use.
- ⚠ Use outdoors only.
- ⚠ Do not move the appliance during use.
- ⚠ Turn off the gas supply at the gas cylinder after use.
- ⚠ Do not modify the appliance.
- ⚠ Do not cook before the fuel has a coating of ash.
- ⚠ Never operate this appliance unattended. If a fire should occur, keep away from the appliance, and immediately call your fire department. Do not attempt to extinguish an oil or a grease fire with water. Failure to follow these instructions could result in fire, explosion or burn hazard which could cause property damage, personal injury or death.
- ⚠ Keep the fuel supply hose away from any heated surface(s).
- ⚠ The use of alcohol, prescription or non-prescription drugs may impair the consumer & ability to properly assemble or safely operate the appliance.
- ⚠ This appliance is not intended for and should never be used as a heater.
- ⚠ Small insects can nest inside the burner of the appliance and disrupt gas flow. Inspect the burner at least once a year.
- ⚠ Do not store this appliance indoors unless the gas cylinder is disconnected.
- ⚠ Do not store gas cylinder in a building, garage or any other enclosed area and always keep out of reach of children!
- ⚠ This appliance is not intended to be installed in or on recreational vehicles and/or boats.
- ⚠ Check all gas supply fittings for leaks before each use. Do not use the appliance until all connections have been checked and do not leak.
- ⚠ Do not smoke while leak testing. Never leak test with an open flame.
- ⚠ When lighting, keep your face and hands as far away from the appliance as possible.

## DANGER

### Use outdoors only. If you smell gas:

- ✓ Shut off gas to the appliance.
- ✓ Extinguish any open flame.
- ✓ If odour continues, keep away from the appliance and immediately call your gas supplier or your fire department.



# WARNING

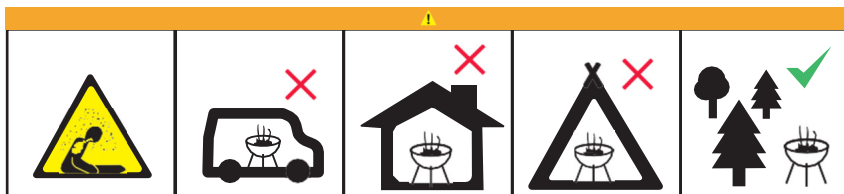
Please carefully read and follow all instructions and warnings outlined in the user guide before using the appliance. To reduce the risk of fire hazards, follow all warnings and instructions before assembling and when using the appliance.

- ▲ Minimum clearance from sides of unit to combustible construction is 24 inches.
- ▲ The parts which have been sealed by the manufacturer should not be adjusted by the user.
- ▲ When the appliance is using LPG A LPG cylinder should be used. LPG Cylinder capacity to range from 11 lbs. to 42 lbs. The LPG cylinder size: max diameter 13.8 inches, max height 15.75 inches.
- ▲ The appliance is to be installed with sufficient ventilation to prevent the occurrence of unacceptable concentrations of substances harmful to health in the room in which the appliance is installed.
- ▲ The minimum distances between the appliance and adjacent walls is 19.7 inches.
- ▲ The gas supply tubing or hose shall comply with the national requirements in force and shall be periodically examined and replaced as necessary.
- ▲ The hose should comply with the standard EN16436. The regulator should comply with the standard EN16129.
- ▲ Check and suitably clean the inside of the oven before it is lit to avoid the emission of fire from the oils that have accumulated during previous cooking.
- ▲ The burner outlets should be checked for obstruction during previous cooking.
- ▲ The burner outlets should be checked for obstruction and cleaned regularly with a soft wire brush.
- ▲ It is necessary to avoid obstruction and to allow for a good combustion.
- ▲ Inspect the gas supply hose prior to turning on the gas. If there is evidence of cut, wear, or abrasion, it must be replaced prior to use.
- ▲ Screw the regulator onto the gas cylinder. Leak check the hose and regulator connections with a soap and water solution before lighting the appliance.
- ▲ Operating this appliance in enclosed spaces can cause a fire, explosion, and can lead to property damage, personal injury, or death.
- ▲ Always operate this appliance with an attendant present.
- ▲ This appliance should not be operated within 24.6 feet of a liquid flammable substance.
- ▲ The cooking vessel should not be filled beyond the dimensions of the door.
- ▲ Do not use glassware or plastics containers to cook in the appliance.
- ▲ Operate the oven with heat-resistant gloves on.
- ▲ If strong winds blow, do not operate oven. Strong winds can extinguish the flame and cause irregular air pressure, which causes the flame and heat to escape. Make use of a wind break in open areas, but keep your distance from it over 17.7 inches.

# **WARNING**

Please carefully read and follow all instructions and warnings outlined in the user guide before using the appliance. To reduce the risk of fire hazards, follow all warnings and instructions before assembling and when using the appliance.

- ▲ As a result of oil and grease, do not pour water on the cooking stone when operating the oven.
- ▲ Take caution in not wearing loose-fitting clothes or sleeve when operating the oven.
- ▲ Gas and wood should never be used at the same time.
- ▲ When using the oven, do not touch the outer shell, stone baking board or immediate surroundings as these areas become extremely hot and could cause burns.
- ▲ Do not use the oven to cook extremely fatty meats or other products which increase flare-up.
- ▲ Keep the area surrounding the oven free from combustible material including fluids, rubbish and vapours such as gasoline or charcoal lighter fluid.
- ▲ Do not obstruct the flow of combustion and ventilation.
- ▲ Never use the oven in extremely windy conditions.



▲ **Never use the oven in extremely windy conditions.**



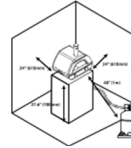


**BULL**

MODEL NUMBER / NUMÉRO DE MODÈLE	69550
TYPE OF GAS / TYPE DE GAZ	PROPANE (LPG)
INPUT RATE (MAIN) TAUX D'ENTRÉE (PRINCIPAL)	32000BTU/HR
SERIAL NUMBER / NUMÉRO DE SÉRIE	69550SMYYVPPPPP



Minimum clearance from side and back of Oven to combustible construction: 24" (610mm) from sides and 24" (610mm) from back, 24" (610mm) from Top, 27.6" (702mm) height. Do not use this appliance under overhead combustible surface. The minimum distance between the oven and gas cylinder is 40" (1m). /



Dégagement minimal requis sur les côtés et à l'arrière du four par rapport à une construction combustible: 24 pouces (610 mm) des côtés et 24 pouces (610 mm) à l'arrière, 24 pouces (610 mm) en haut, hauteur de 27,6 pouces (700 mm). Ne pas utiliser cet appareil sous une surface combustible suspendue. La distance minimale entre le four et la bouteille de gaz est de 40 pouces (1 mètre).

**READ INSTRUCTIONS BEFORE LIGHTING. NEVER COVER THE OVEN MOUTH WHEN THE GAS BURNER IS IN OPERATION. IF IGNITION DOES NOT OCCUR IN 5 SECONDS, TURN THE BURNER CONTROL(S) OFF, WAIT 5 MINUTES, AND REPEAT THE LIGHTING PROCEDURE /**

**LISEZ LES INSTRUCTIONS AVANT D'ALLUMER. NE COUVREZ JAMAIS L'OUVERTURE DU FOUR LORSQUE LE BRÛLEUR À GAZ EST EN FONCTION. SI L'ALLUMAGE NE SE PRODUIT PAS EN 5 SECONDES, ÉTEIGNEZ LE(S) CONTRÔLE(S) DU BRÛLEUR, ATTENDEZ 5 MINUTES ET RÉPÉTEZ LA PROCÉDURE D'ALLUMAGE.**

\*ANS Z21.89-2017 CSA 1.18-2017 Outdoor Cooking Specialty Gas Appliance / ANS Z21.89-2017 CSA 1.18-2017 Appareil de cuisson extérieur au gaz spécialisé\*

FOR OUTDOOR USE ONLY If stored indoors, detach and leave cylinder outdoors. / POUR USAGE EXTÉRIEUR UNIQUEMENT Si entreposé à l'intérieur, détachez et laissez la bouteille de gaz à l'extérieur.

b). Never fill the cylinder beyond 80 percent full. / a). Ne remplissez jamais la bouteille au-delà de 80 pour cent de sa capacité. / b). Ne remplissez jamais la bouteille au-delà de 80 pour cent de sa capacité.

The gas pressure regulator provided with this appliance must be used. Replace only with regulator Model No. 48100. / Le régulateur de pression de gaz fourni avec cet appareil doit être utilisé. Remplacez uniquement par le régulateur modèle n° 48100.

a) Do not store a spare LP-gas cylinder under or near this appliance. / a) Ne stockez pas une bouteille de gaz de rechange sous ou près de cet appareil au propane liquide (LP)

If the information in (a) and (b) is not followed exactly, a fire causing death or serious injury may occur. / Si les informations en (a) et (b) ne sont pas suivies à la lettre, un incendie pouvant entraîner la mort ou des blessures graves pourrait se produire.

If the information in (a) and (b) is not followed exactly, a fire causing death or serious injury may occur. / Si les informations en (a) et (b) ne sont pas suivies à la lettre, un incendie pouvant entraîner la mort ou des blessures graves pourrait se produire.

Battery 3V DC / Batterie 3V DC  
Do not cover or remove this label / Ne couvrez pas ou n'enlevez pas cette étiquette.

The instruction manual contains important information necessary for the proper assembly and safe use of the appliance. / Le manuel d'instructions contient des informations importantes nécessaires pour l'assemblage correct et l'utilisation sécuritaire de l'appareil

Read and follow all warnings and instructions before assembling and using the appliance. / Lisez et suivez toutes les mises en garde et les instructions avant d'assembler et d'utiliser l'appareil

Follow all warnings and instructions when using the appliance. / Suivez toutes les mises en garde et les instructions lorsque vous utilisez l'appareil.

If instructions or parts are missing contact [www.bullbq.com/ticket](http://www.bullbq.com/ticket)  
Si des instructions ou des pièces manquent, contactez [www.bullbq.com/ticket](http://www.bullbq.com/ticket)

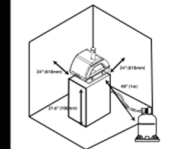


**BULL**

MODEL NUMBER / NUMÉRO DE MODÈLE	69564
TYPE OF GAS / TYPE DE GAZ	NATURAL GAS / GAZ NATUREL
INPUT RATE (MAIN) TAUX D'ENTRÉE (PRINCIPAL)	32000BTU/HR
SERIAL NUMBER / NUMÉRO DE SÉRIE	69564SMYYVPPPPP



Minimum clearance from side and back of Oven to combustible construction: 24" (610mm) from sides and 24" (610mm) from back, 24" (610mm) from Top, 27.6" (702mm) height. Do not use this appliance under overhead combustible surface. The minimum distance between the oven and gas cylinder is 40" (1m). /



Dégagement minimal requis sur les côtés et à l'arrière du four par rapport à une construction combustible: 24 pouces (610 mm) des côtés et 24 pouces (610 mm) à l'arrière, 24 pouces (610 mm) en haut, hauteur de 27,6 pouces (700 mm). Ne pas utiliser cet appareil sous une surface combustible suspendue. La distance minimale entre le four et la bouteille de gaz est de 40 pouces (1 mètre).

**READ INSTRUCTIONS BEFORE LIGHTING. NEVER COVER THE OVEN MOUTH WHEN THE GAS BURNER IS IN OPERATION. IF IGNITION DOES NOT OCCUR IN 5 SECONDS, TURN THE BURNER CONTROL(S) OFF, WAIT 5 MINUTES, AND REPEAT THE LIGHTING PROCEDURE /**

**LISEZ LES INSTRUCTIONS AVANT D'ALLUMER. NE COUVREZ JAMAIS L'OUVERTURE DU FOUR LORSQUE LE BRÛLEUR À GAZ EST EN FONCTION. SI L'ALLUMAGE NE SE PRODUIT PAS EN 5 SECONDES, ÉTEIGNEZ LE(S) CONTRÔLE(S) DU BRÛLEUR, ATTENDEZ 5 MINUTES ET RÉPÉTEZ LA PROCÉDURE D'ALLUMAGE.**

ANS Z21.89-2017 CSA 1.18-2017 Outdoor Cooking Specialty Gas Appliance / ANS Z21.89-2017 CSA 1.18-2017 Appareil de cuisson extérieur au gaz spécialisé

This appliance is not intended for commercial use. / Cet appareil n'est pas destiné à un usage commercial

Battery 3V DC / Batterie 3V DC

The instruction manual contains important information necessary for the proper assembly and safe use of the appliance. / Le manuel d'instructions contient des informations importantes nécessaires pour l'assemblage correct et l'utilisation sécuritaire de l'appareil.

Read and follow all warnings and instructions before assembling and using the appliance. / Lisez et suivez toutes les mises en garde et les instructions avant d'assembler et d'utiliser l'appareil.

Follow all warnings and instructions when using the appliance. / Suivez toutes les mises en garde et les instructions lors de l'utilisation de l'appareil.

If instructions or parts are missing contact [www.bullbq.com/ticket](http://www.bullbq.com/ticket)  
Si des instructions ou des pièces manquent, contactez [www.bullbq.com/ticket](http://www.bullbq.com/ticket)

## DUAL FUEL COUNTERTOP PIZZA OVEN

Is in conformity with the following EC directives: - Gas Appliance Regulation (EU) 2016/426 and that the following harmonized standards have been applied: EN 498:2012[E] & EN1860:2013

The Notified Body who has performed EC

Type Examination: EC Type

Examination Certificate: 2531DN-0118 & 8504DN-0082

Notified Body: Danish Institute of Fire and Security

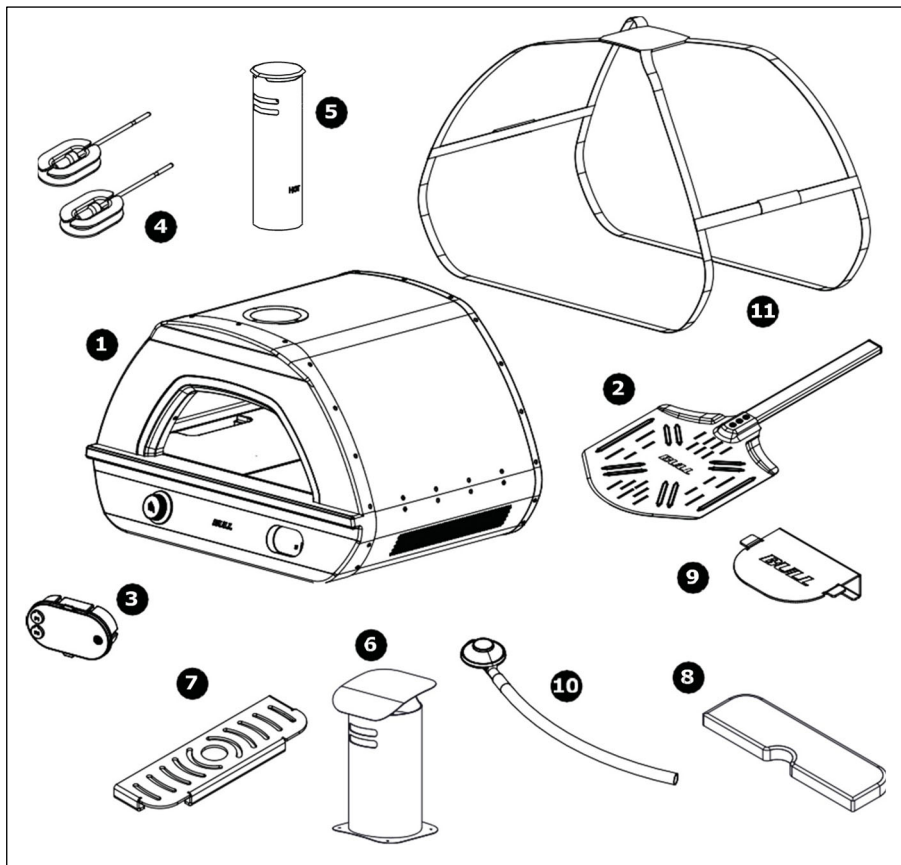
Technology Notified Body no.: 2531 & 8504

END OF LIFE At product's end of life, please dispose responsibly.





# WHAT'S IN THE BOX



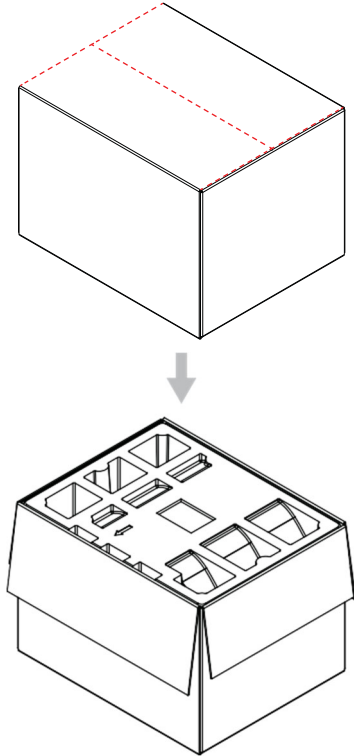
- 1** 1 x Pizza Oven
- 2** 1 x High – Aircraft grade aluminium anodized Pizza Peel.
- 3** 1 x Digital Bluetooth Thermometer
- 4** 2 x Meat Probes
- 5** 1 x Oven Flue
- 6** 1 x Flue Cover
- 7** 1 x Air Inlet Plate
- 8** 1 x Stone Plug
- 9** 1 x Gas Burner Protective Guard
- 10** 1 x Gas Regulator and Hose
- 11** 1 x Lifting Strap



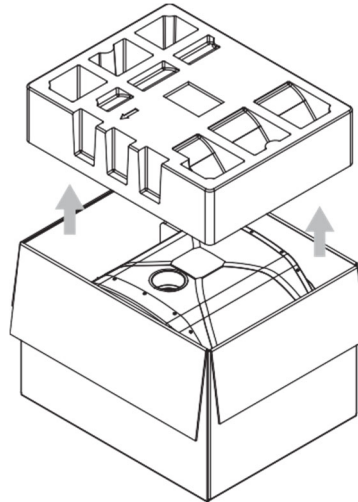
**BULL**

# UNBOXING DUAL FUEL COUNTERTOP PIZZA OVEN

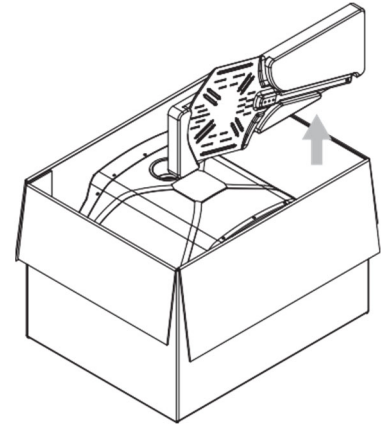
**01** Cut open the box seal & unfold the tabs.



**02** Lift the polystyrene top cover up & set aside.



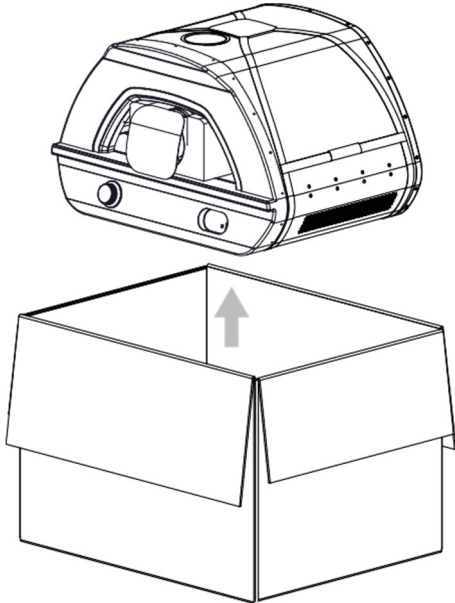
**03** Lift the pizza peel & polystyrene insert out of the box & set aside.



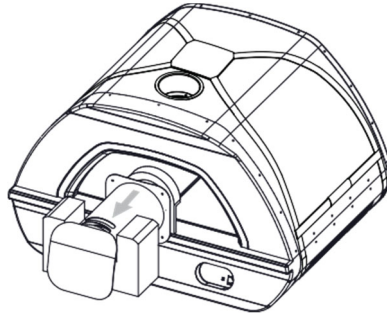
# UNBOXING DUAL FUEL COUNTERTOP PIZZA OVEN (Continued)

**04** To lift the oven out of the box, use the lifting strap attached to the oven.

**⚠ Warning:** Never attempt to lift the oven out by yourself. It is a 2 two-person job.



**05** Carefully retrieve the Flue Cover and Oven Flue from the oven opening.



**06** Lastly, take the Accessory Box and Regulator Box out of the oven opening. Ensure all packaging is now out of the oven.

