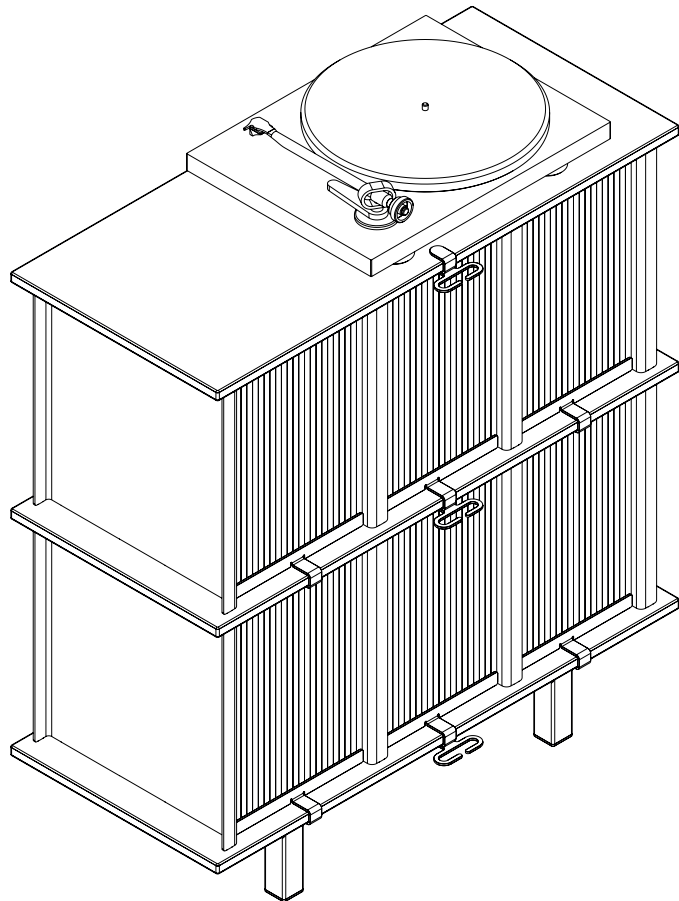
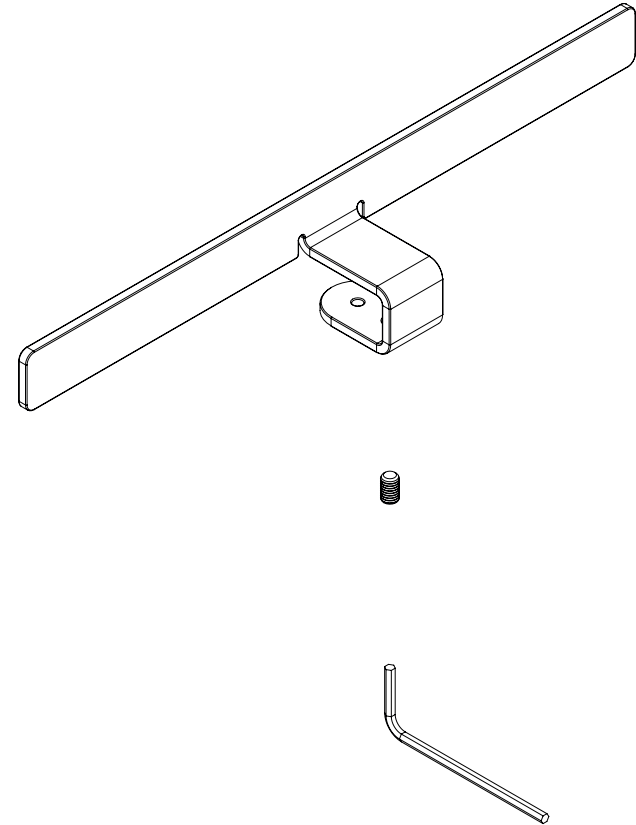


Also available,  
the cable bracket



[www.fortherecord.eu](http://www.fortherecord.eu)

# FOR THE RECORD



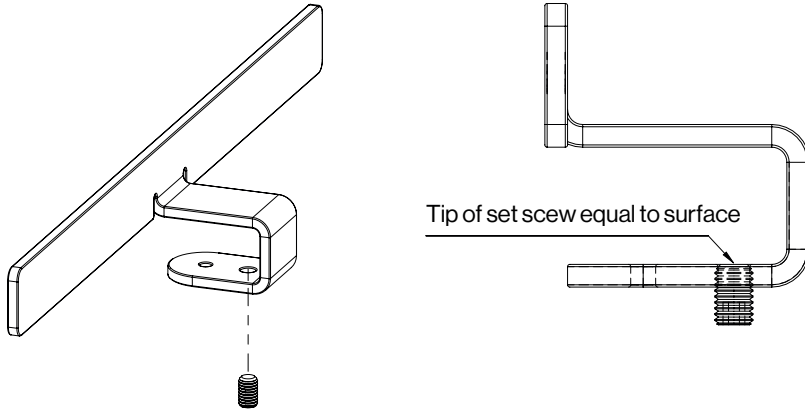
Parts

Vinyl stopper  
Set screw (M5)  
Allen key (not included)

## Vinyl Stopper Manual

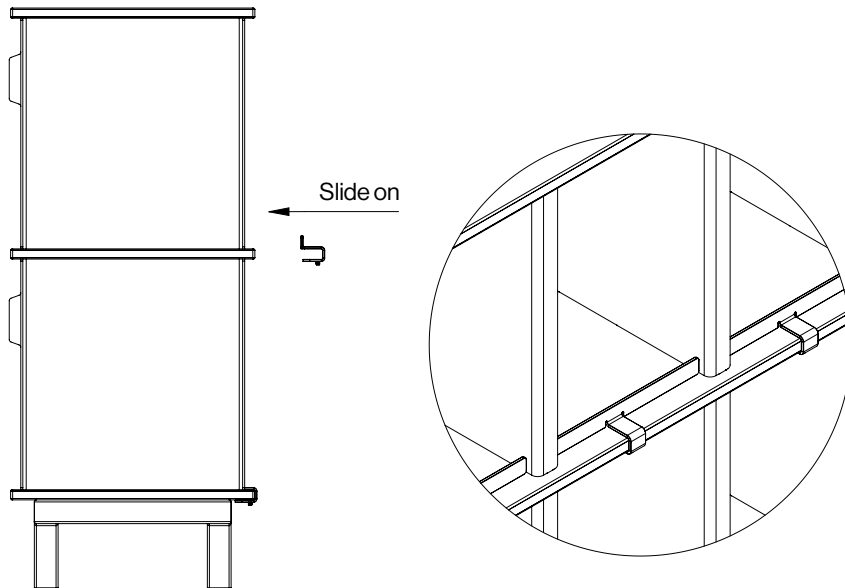
# 1

- There are two holes in the vinyl stopper, make sure you use the bigger hole.
- Screw in the set screw in the vinyl stopper using the Allen key.
- Make sure the tip of the set screw doesn't stick out of the hole.



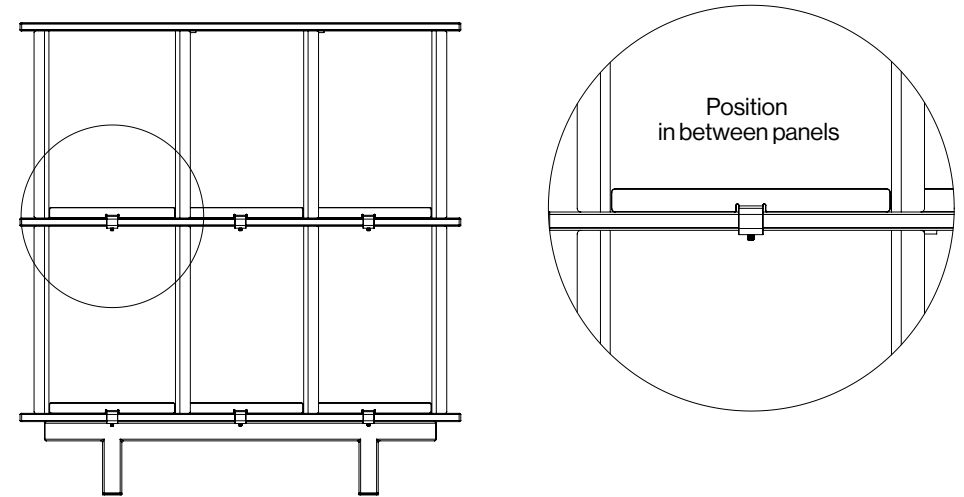
# 2

- Slide the vinyl stopper on to the wooden shelf
- Make sure the vinyl stopper is tight connected to the edge of the shelf.



# 3

- Place the sheet of cardboard on the floor or table for protection.
- Place the bottom shelf up side down on the sheet of cardboard.



# 4

- Fasten the set screw using the Allen key.
- Make sure the vinyl stopper is tight connected to the edge of the shelf.
- Fasten hand tight, make sure you don't force the vinyl stopper.
- After fastening the screw, it will stick out on the bottom side.

