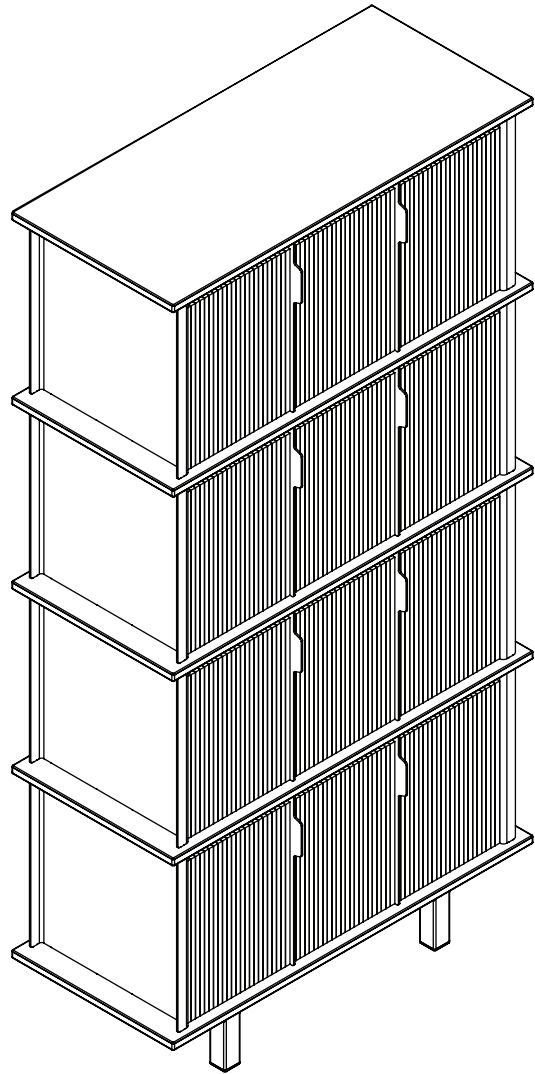
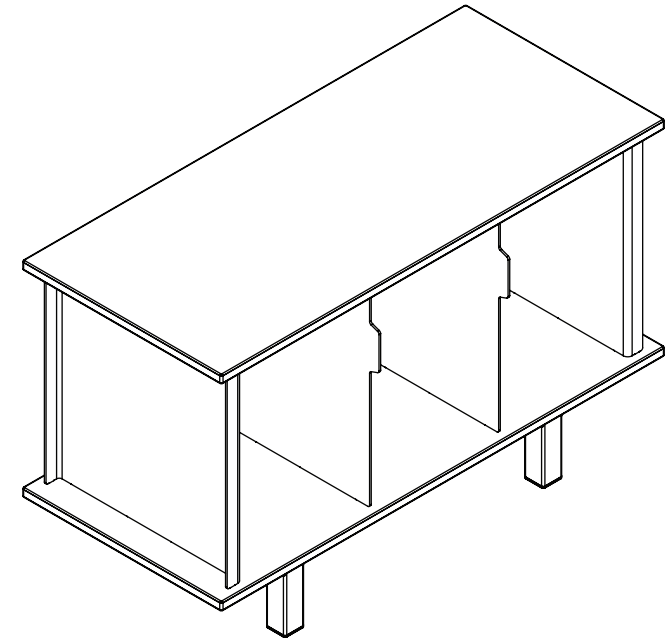


Let your cabinet grow along  
with your record collection



[www.fortherecord.eu](http://www.fortherecord.eu)

# FOR THE RECORD

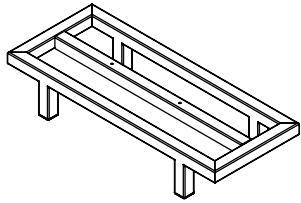


Base Module - Small  
Manual

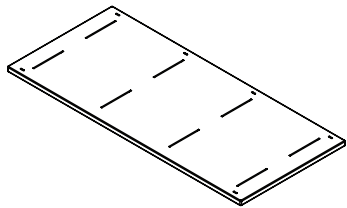
# Parts

Play some nice tunes while archiving your record collection

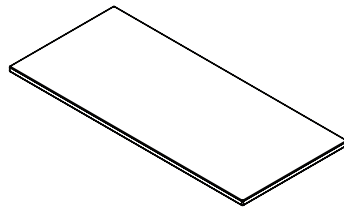
1x



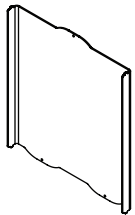
1x



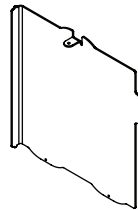
1x



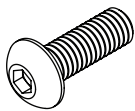
2x



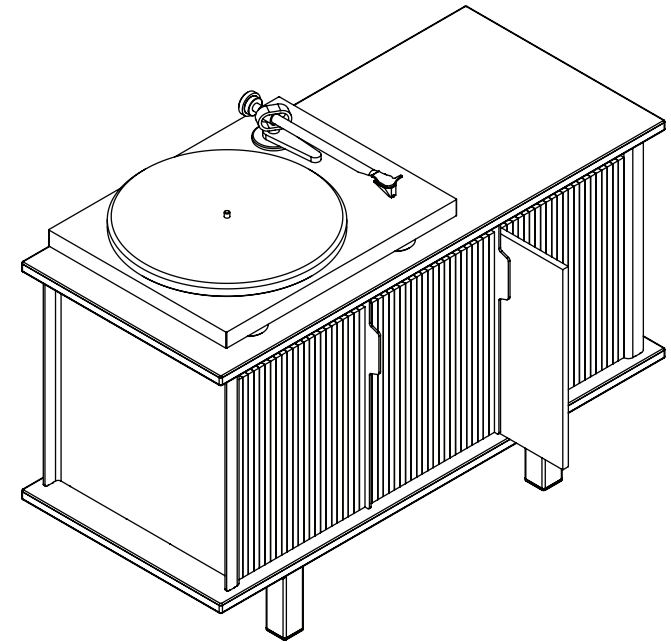
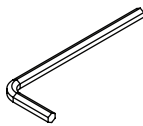
2x



2x

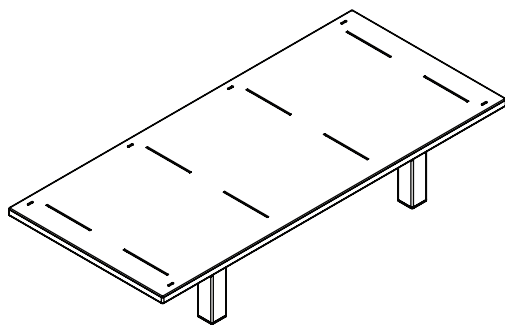


1x



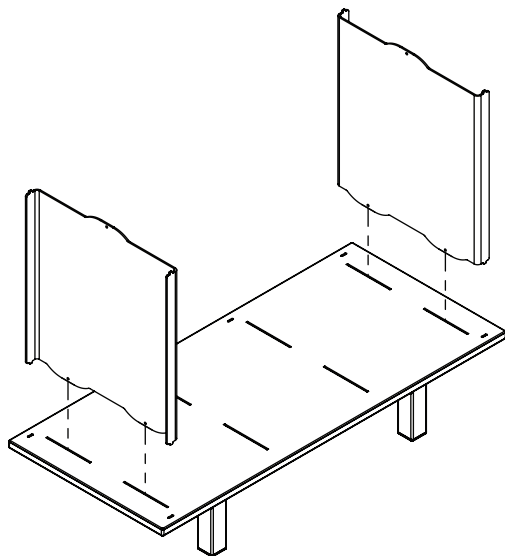
3

- Turn the steel frame around and place on its feet.



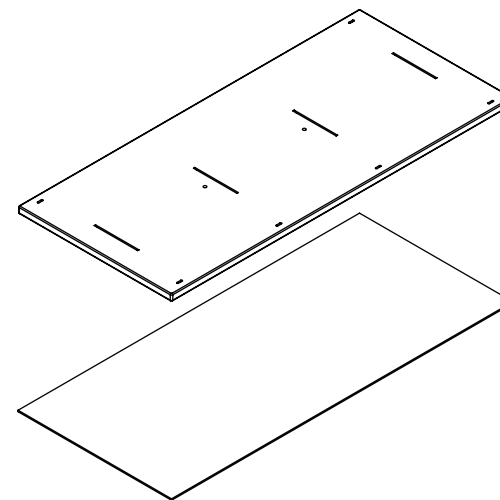
4

- Slide the 2 side panels into the shelf.



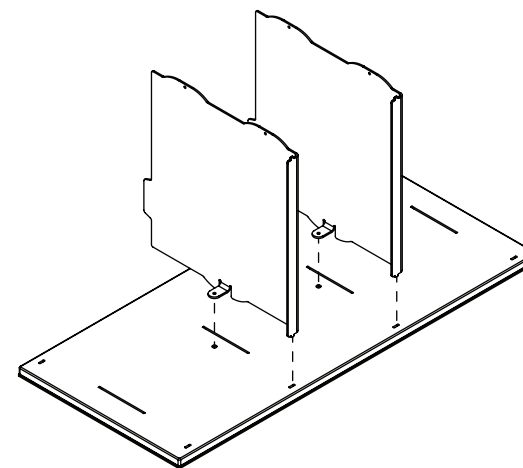
5

- Place the cardboard sheet on the floor or on a table.  
- Place the top shelf upside down on the cardboard.



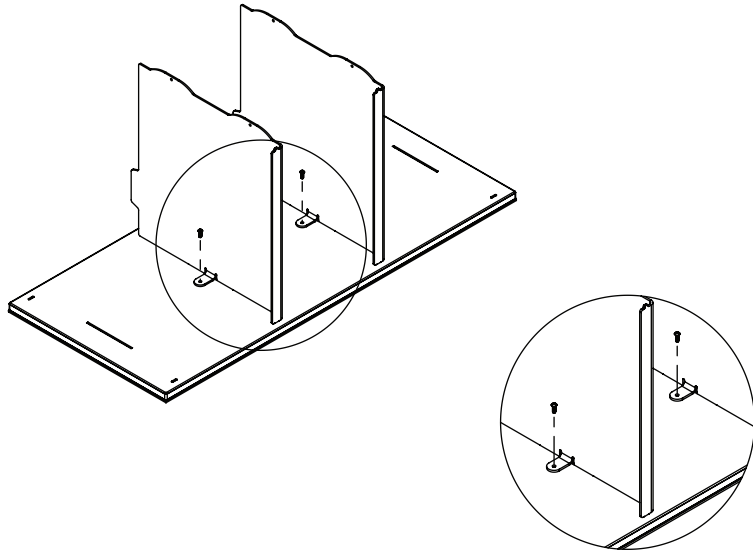
6

- Carefully slide in the 2 middle panels.



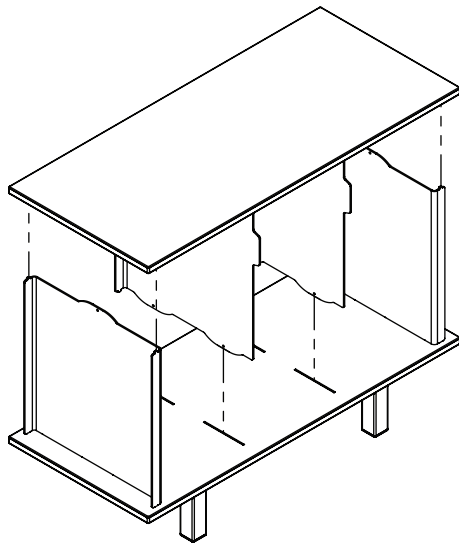
7

- Fasten the 2 middle panels using 2 bolts.



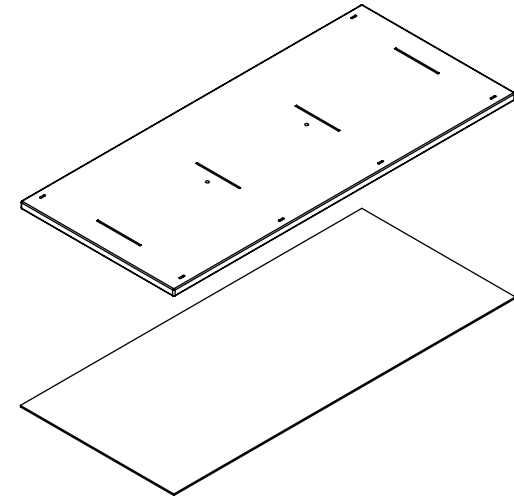
8

- Turn the top shelf around and carefully slide into the slits of the shelf below.



1

- Place the sheet of cardboard on the floor or on a table.  
- Place the bottom shelf upside down on top of the cardboard.



2

- Place the steel frame upside down on top of the bottom shelf.  
- Make sure the holes of the frame and the shelf correspond.  
- Fasten the steel frame using 2 bolts.

