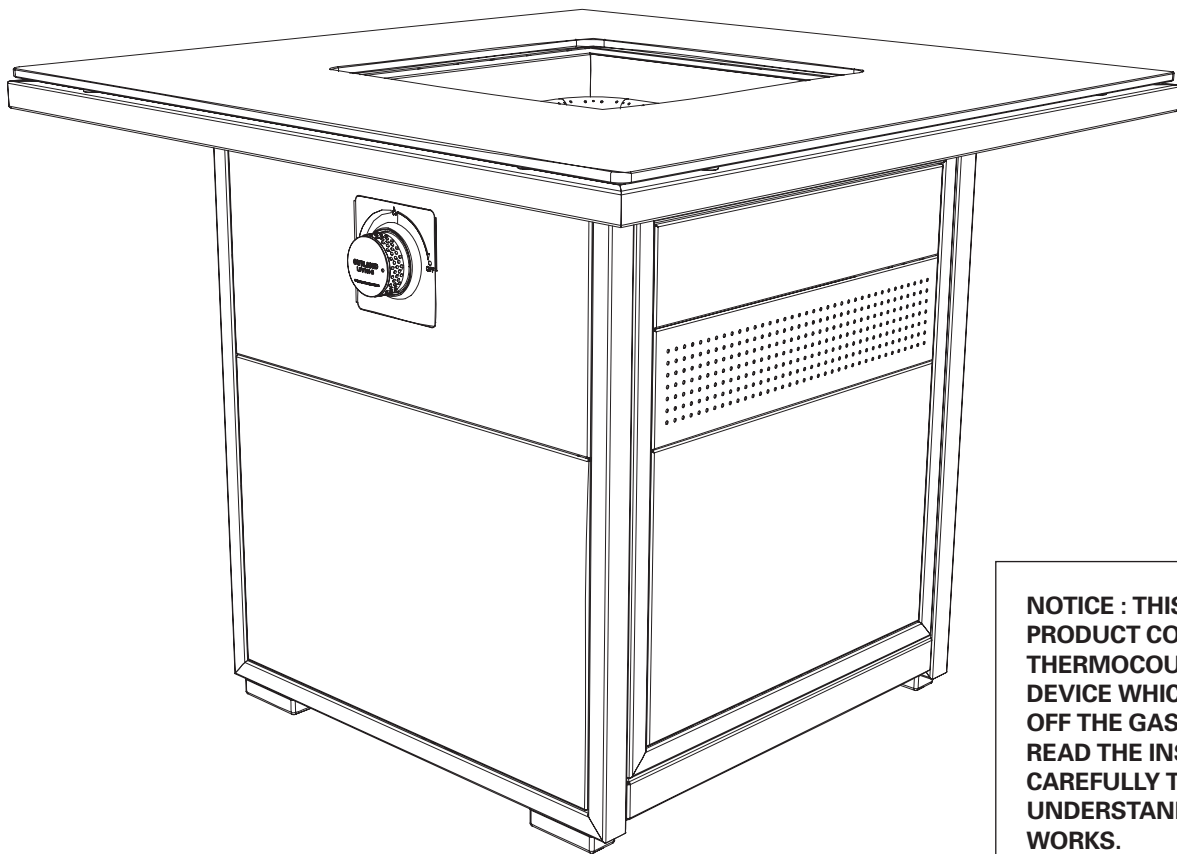


# OUTLAND LIVING®

VALETOWN

## FIRE TABLE Owner's Manual

OUTDOOR LIVING PERFECTED®



**NOTICE : THIS PRODUCT CONTAINS A THERMOCOUPLE SAFETY DEVICE WHICH SHUTS OFF THE GAS. PLEASE READ THE INSTRUCTIONS CAREFULLY TO UNDERSTAND HOW IT WORKS.**



Model number FMPPC2E-420



**FMI BRANDS INC.**

107 – 19052 26 Avenue | Surrey, B.C. Canada V3Z 3V7 | Toll Free 1-888-514-1663 | Fax 1-888-797-9931

Outland Living is a registered trademark of FMI Brands Inc. The OUTLAND Flame mark is a registered trademark of FMI Brands Inc.

D.420.000.V0

Model number FMPPC2E-420 - Tested by CSA International  
ANS Z21.97-2017/CSA 2.41-2017 Outdoor Decorative Gas Appliances

## **DANGER: FIRE OR EXPLOSION HAZARD**

If you smell gas:

- 1 Shut off gas to the appliance.
- 2 Extinguish any open flame.
- 3 If odour continues, leave the area immediately.
- 4 After leaving the area, call your gas supplier or fire department.

Failure to follow these instructions could result in fire or explosion, which could cause property damage, personal injury, or death.

## **WARNING:**

Do not store or use gasoline or other flammable vapors and liquids in the vicinity of this or any other appliance.

An LP-cylinder not connected for use shall not be stored in the vicinity of this or any other appliance.



WARNING! HOT SURFACE!



GLASS. FRAGILE!



HANDLE WITH CARE



HEAVY OBJECT.  
TWO PERSON LIFT REQUIRED.

## **DANGER**



### CARBON MONOXIDE HAZARD

This appliance can produce carbon monoxide which has no odour.

Using it in an enclosed space can kill you.

Never use this appliance in an enclosed space such as a camper, tent, car, or home.



## **WARNING:** For outdoor use only.

Installation and service must be performed by a qualified installer, service agency, or the gas supplier.

**INSTALLER:** Leave this manual with the appliance.

**CONSUMER:** Retain this manual for future reference.

## **WARNING:**

**Improper installation, adjustment, alteration, service or maintenance can cause injury or property damage. Read the installation, operating and maintenance instructions thoroughly before installing or servicing this equipment.**

## **WARNING:**

**If the information in this manual is not followed exactly, a fire or explosion may result causing property damage, personal injury or loss of life.**

## **LP SAFETY:**

- a. Do not store a spare LP-gas cylinder under or near this appliance.
- b. Never fill the cylinder beyond 80 percent full.
- c. If the information in “(a)” and “(b)” is not followed exactly, a fire causing death or serious injury may occur.

## **MINIMUM CLEARANCES:**

- **Bottom:** Non-Combustible Surface
- **Top:** 2m / 80 in
- **Sides:** 0.9m / 36 in
- For Installation on (or over) non-combustible floors only

**Input:** 50,000 Btu/h (14.65 kW) and manifold pressure:  
11 in wc (2.74 kPa)

**Min. gas supply for input adj.** 11 in wc (2.74 kPa)

**Max. gas supply:** 11 in wc (2.74 kPa)

**Injector Size\*** 2.16 mm

\* Injector size marked clearly on the gas valve orifice.

**Type of Gas:** Propane (LP)

This appliance shall be used only outdoors in a well-ventilated space and shall not be used in a building, garage or any other enclosed area.

Do not use this appliance under overhead combustible surfaces.

Never leave this appliance unattended while in operation.

If this appliance is not in use, the gas must be turned off at the supply cylinder.

Indoor storage of this appliance is permissible only if the cylinder is disconnected and removed from the appliance.

Cylinders must be stored outdoors in a well-ventilated area out of the reach of children.

Disconnected cylinders must have threaded valve plugs tightly installed and must not be stored in a building, garage or any other enclosed area.

The gas pressure regulator provided with this appliance must be used, and must be the same model as supplied with the unit.

The cylinder supply system must be arranged for vapor withdrawal.

Cylinders used with this unit must have a collar to protect the cylinder valve.

An approved LP-Cylinder stabilizer, such as the stabilizer ring included, must be used when the appliance is in use.

Replacement parts and a list of such parts are available from FMI Brands Inc. through the contact information provided on the last page of this Manual.

## **WARNING:**

**Please ensure that all adults and children which use or are near a unit in use are aware of the hazard of high-surface temperatures present on the unit during use and should use caution and stay away to avoid burns or clothing ignition.**

**Carefully supervise young children in the area of this appliance. Clothing or other flammable materials should not be hung from the appliance or placed on or near the appliance. Any guard or other protective device removed for servicing the appliance must be replaced prior to operating the appliance.**

**Installation and repair should be done by a qualified service person. The appliance should be inspected before use and at least annually by a qualified service person. More frequent cleaning may be required as necessary. It is imperative that control compartment, burners and circulating air passageways of the appliance be kept clean.**

## GAS CYLINDER:

All LP cylinders to be used with this appliance must be:

- Constructed and marked in accordance with the U.S. Department of Transportation (DOT) *Specifications for LP-Gas Cylinders*, or the *Standard for Cylinders, Spheres and Tubes for Transportation of Dangerous Goods, CAN/CSA B339*, as applicable.
- Provided with a listed overfilling prevention device.
- Provided with a cylinder connection device compatible with the connection for the appliance.
- Only a 9 kg / 20 lb LP gas cylinder is to be used for this appliance, approximately 46 cm / 18 in high & 30 cm / 12 in diameter.

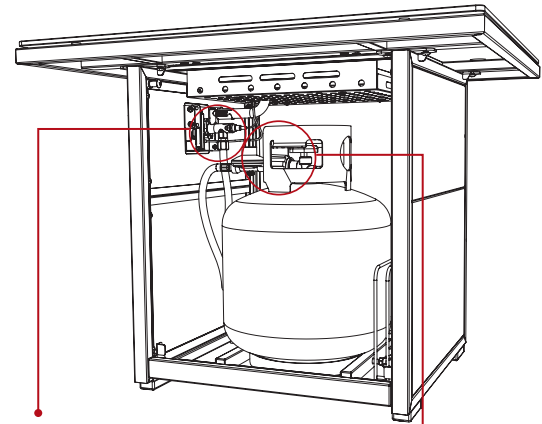
The use of an approved LP gas cylinder stabilizer, such as the one included, must be used when using this appliance in order to prevent the LP gas cylinder from tipping over.

## CONNECTION:

- Be sure the cylinder valve and appliance valves are "off".
- Place full LP gas cylinder on tank stabilizer ring. Secure the base of the LP gas cylinder by hand tightening the wing-nut collar.
- Center the nipple in the cylinder valve and hold in place.
- Using the other hand, turn the hand wheel clockwise until there is a positive stop. Do not use tools.
- Hand tighten only. When making the connection, hold the regulator in a straight line with the cylinder valve, so as not to cross thread the connection.**
- Leak test the connection. **See section named "LEAK TEST"**.

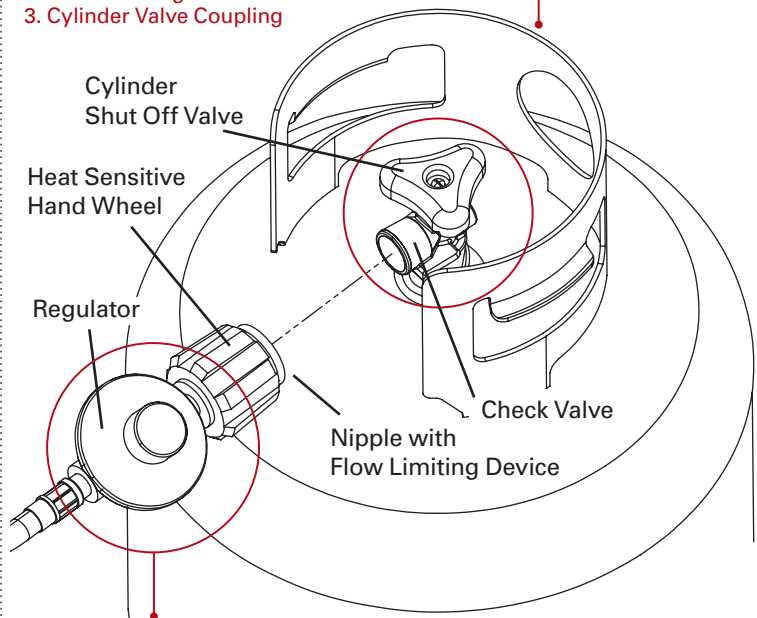
## LEAK TEST:

- DO NOT USE OR PERMIT SOURCES OF IGNITION IN THE AREA WHILE DOING THE LEAK TEST. THIS INCLUDES SMOKING.
- Leak testing should be done once per year or whenever the LP gas cylinder or any other gas system part is taken apart, serviced or replaced, whichever is more frequent.
- Ensure all gas system coupling joints are tight and properly attached.
- Prepare a leak testing solution of half liquid detergent and half water.
- Apply the solution to the LP gas delivery system at points as shown in illustration indicated on page 3.
- The leak(s) must be stopped by tightening the loose joints, if possible, or by replacing the faulty parts(s) with the part(s) recommended by the appliance manufacturer.



**LEAK TEST:** Apply the solution to the LP gas delivery system at points:

- Fire Table Valve Coupling
- Gas Hose Regulator
- Cylinder Valve Coupling



**LEAK TEST:** Apply the solution to the LP gas delivery system at points. Fire Table valve coupling; gas hose regulator & cylinder coupling.

## WARNING:

If the information in this manual is not followed exactly, a fire or explosion may result causing property damage, personal injury or loss of life. Installation and service must be performed by a qualified installer, service agency or the gas supplier.

Should you have any questions or comments regarding this appliance, please do not hesitate to contact FMI Brands Inc. at (888) 514-1663 or E-Mail to [info@outlandliving.com](mailto:info@outlandliving.com)

**THE APPLIANCE IS NOT TO BE USED UNTIL ANY LEAK IS CORRECTED.**

A gas appliance repairman or LP gas dealer should be called if attempts to stop the leak(s) are unsuccessful and, in such case, the LP gas supply must be shut off at the cylinder valve or the cylinder must be removed from the appliance until the leak(s) is corrected.

Should any part of this appliance (including the burner) become soiled or dirty, wipe lightly with a damp cloth. Do not use flammable or corrosive cleaning products on or near this unit.

Ensure that gas hose is placed in an area where it is unlikely to be tripped over (such as pathways or trails) or subject to other accidental damage.

Keep the appliance area clear and free from combustible materials, gasoline and other flammable vapors and liquids.

Solid fuels shall not be burned in this appliance.

Installation must conform with local codes or, in the absence of local codes, with either the *National Fuel Gas Code, ANSI Z223.1/NFPA 54, Natural Gas and Propane Installation Code, CSA B149.1 or Propane Storage and Handling Code, B149.2, or the Standard for Recreational Vehicles, ANSI A 119.2/NFPA 1192, and CSA Z240 RV Series, Recreational Vehicle Code, as applicable.*

## PRE-IGNITION INSPECTIONS

### GAS HOSE INSPECTION

Clean and inspect the hose before each use of the appliance.

**Attention:** If there is evidence of abrasion, wear, cuts, or leaks, the hose must be replaced prior to the appliance being put into operation. Only use a replacement hose by OUTLAND Living.

### BURNER & ORIFICE INSPECTION

Inspect the burner prior to each use. Ensure the orifice holes are not plugged and the burner tube is not damaged, or compromised.

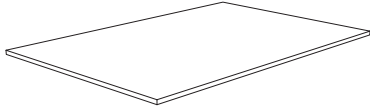
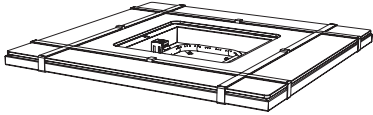
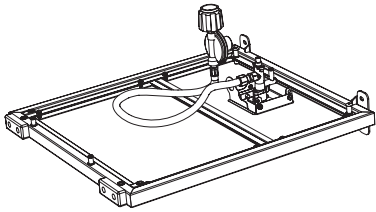
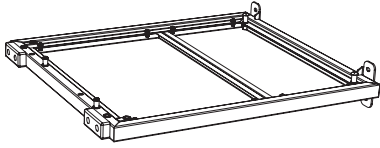
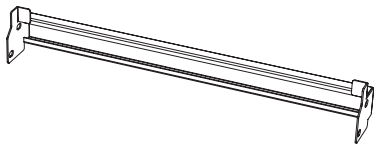
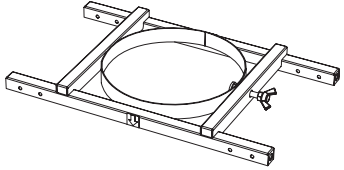
The burner must be replaced prior to the appliance being put into operation if there is evidence of damage. Replacement burners are available from FMI Brands Inc.

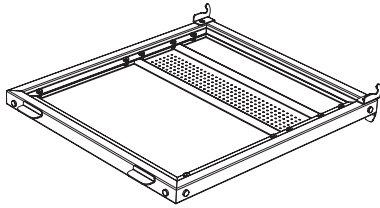

### BURNER TUBE INSPECTION

Inspect the burner tube under the appliance and ensure the mesh screen is in place, prior to each use.

**ATTENTION:** If the screen is dislodged perform an insect nest inspection, prior to ignition. See section 'REMOVING INSECT NESTS'.

## Supplied parts & hardware list:

| PART # | DESCRIPTION  | QUANTITY | PICTURE   |
|--------|--|----------|---|
| 1      | Assembly Work Surface (Top Foam Packing Insert)                            | 1        |    |
| 2      | Table Top Frame with Tempered Glass  | 1        |    |
| 3      | End Panel with Gas Valve, Gas Hose and Regulator Mounting Bracket Assembly | 1        |   |
| 4      | End Panel  | 1        |  |
| 5      | Cross Bar  | 2        |  |
| 6      | Propane Cylinder H-Frame Support   | 1        |  |

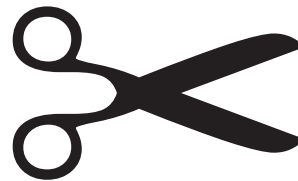
| PART # | DESCRIPTION          | QUANTITY | PICTURE   |
|--------|----------------------|----------|---|
| 7      | Side Panel           | 2        |  |
| 8      | M6 screw (+ 1 extra) | 16       |  |
| 9      | Glass Fire Rocks     | 1 Bag    |   |

## Required Tools (Not Supplied):

Cross (Phillips) Screw Driver (PH2 and PH3)



Scissors



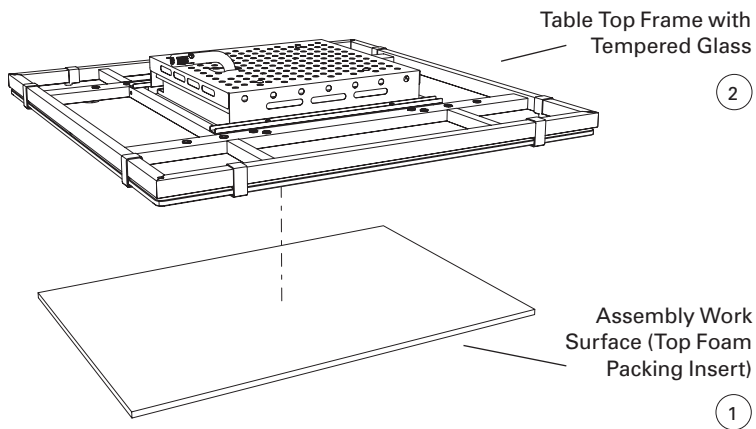
## SECTION 1: ASSEMBLY

### STEP 1

Resist the urge to cut straps until STEP 5B.

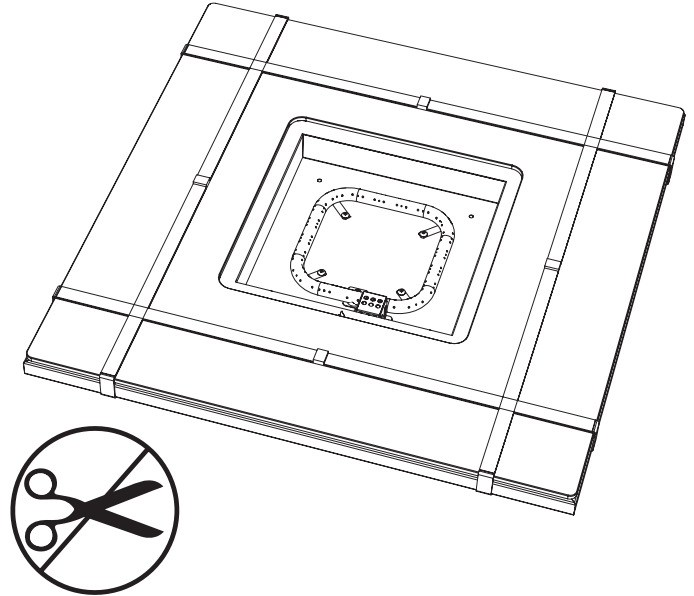
Lay the table top frame with tempered glass on a flat non-marking surface. Use cardboard or foam provided in packing box as a work surface.

**EXTREME CAUTION!** The fire table top tempered safety glass may explode if contact is made with uneven ground, especially ceramic tile! Always place a flat cardboard, foam or blanket work surface underneath when assembling the fire table, especially on ceramic tile.



### **WARNING:**

DO NOT CUT STRAPS WITH TABLE TOP STANDING UP.



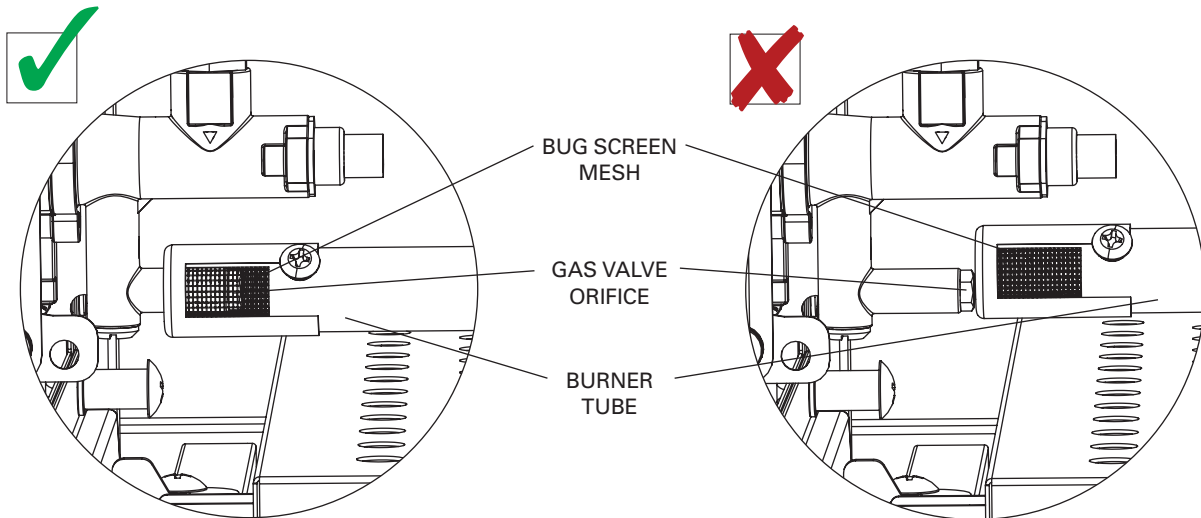
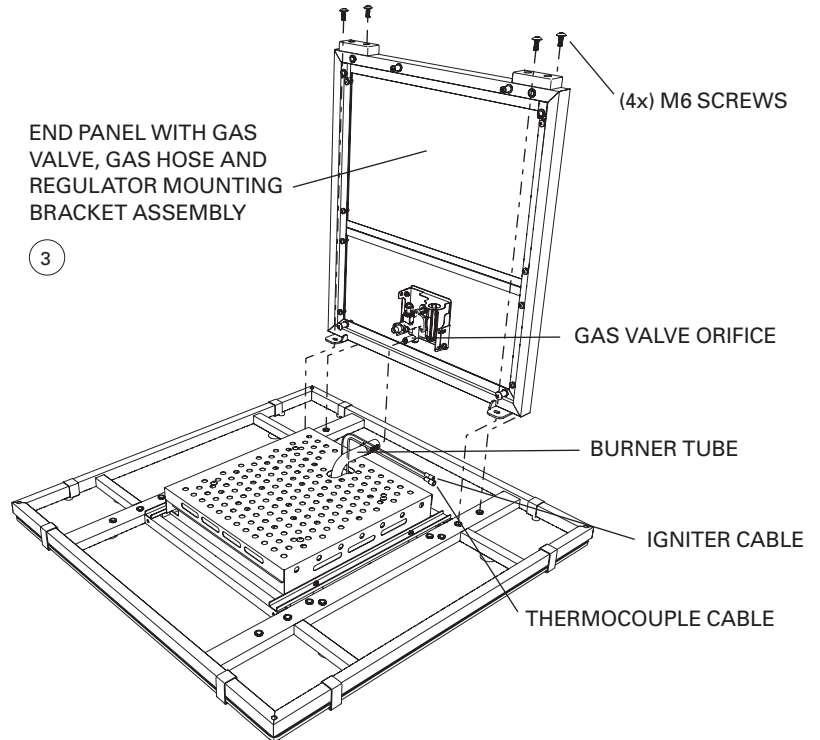
## SECTION 1: ASSEMBLY (continued)

### STEP 2A

\*\*\*Loosely install\*\*\* the End panel with gas valve, gas hose and regulator mounting bracket assembly to the table top with 4 screws, but do not tighten.

**IMPORTANT:** Align gas valve orifice inside burner tube.

**NOTE:** To simplify the assembly drawings the gas hose with regulator is not shown.



### **!** ATTENTION:

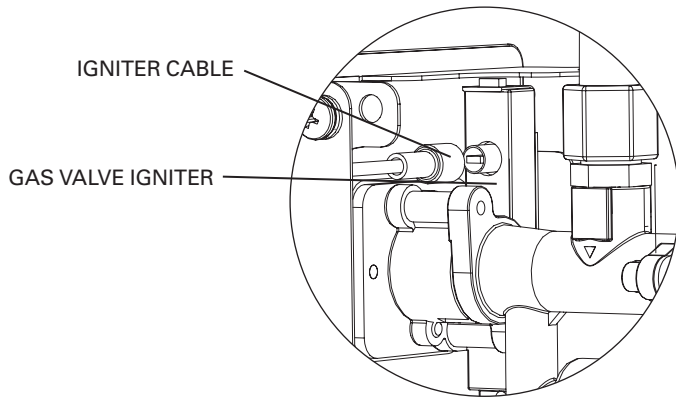
The brass gas valve orifice should be inside the burner tube and visible through the bug screen mesh. If your orifice and burner tube does not line up like in the image to the left, please call customer service.



## SECTION 1: ASSEMBLY (continued)

### STEP 2B

Connect the igniter cable to the gas valve igniter.

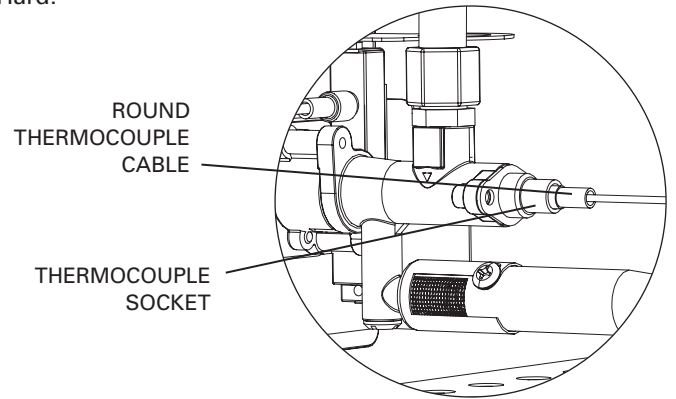


**NOTE THE SMALL RECTANGULAR CONNECTION**

MAKE SURE THE SILICONE COVER ON THE IGNITER CABLE WIRE IS PRESSED UP AGAINST THE GAS VALVE CONNECTION.

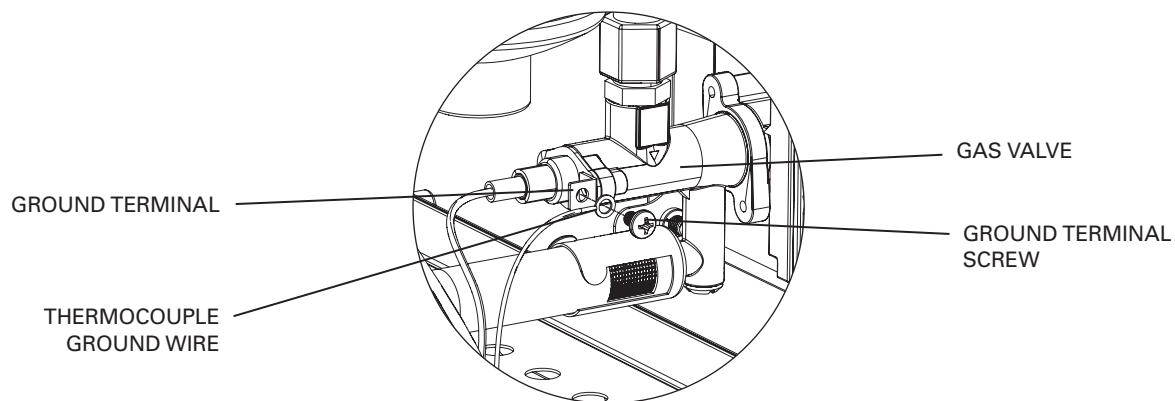
### STEP 2C

Connect the round thermocouple cable to the thermocouple socket. Push Hard!



### STEP 2D

Attach the thermocouple ground wire connection to the gas valve ground terminal. Use the screw provided on the gas valve. Ensure the connection is firmly set under the screw.

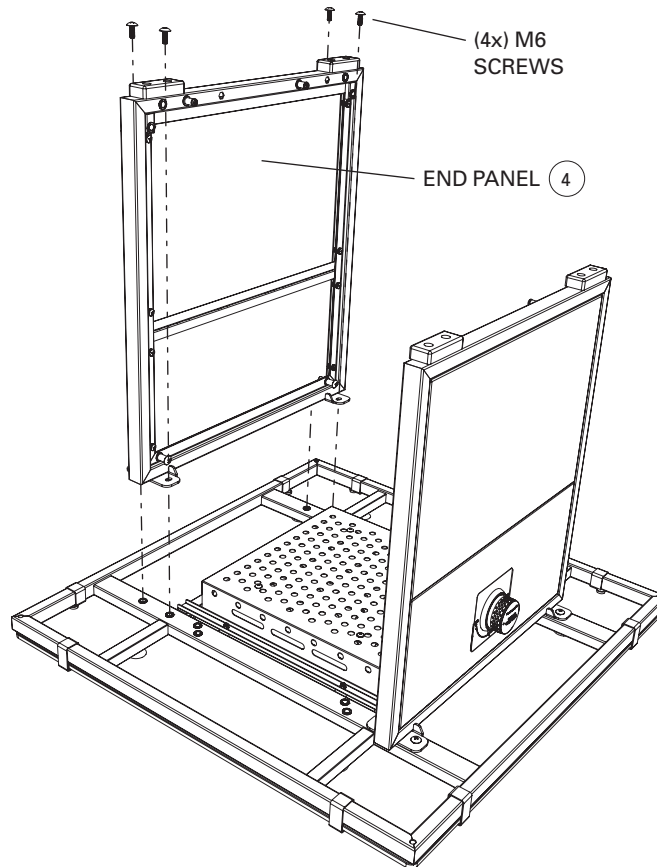


**SUPER IMPORTANT:** If the thermocouple ground wire is even just a tiny bit loose the thermocouple will shut off the gas and the fire table will not light and/or will not stay lit. If this happens, that is probably the reason. For more information about the thermocouple please see section "What is a Thermocouple?".

## SECTION 1: ASSEMBLY (continued)

### STEP 3

Mount End Panel **\*\*\*loosely\*\*\***, but do not tighten.



## SECTION 1: ASSEMBLY (continued)

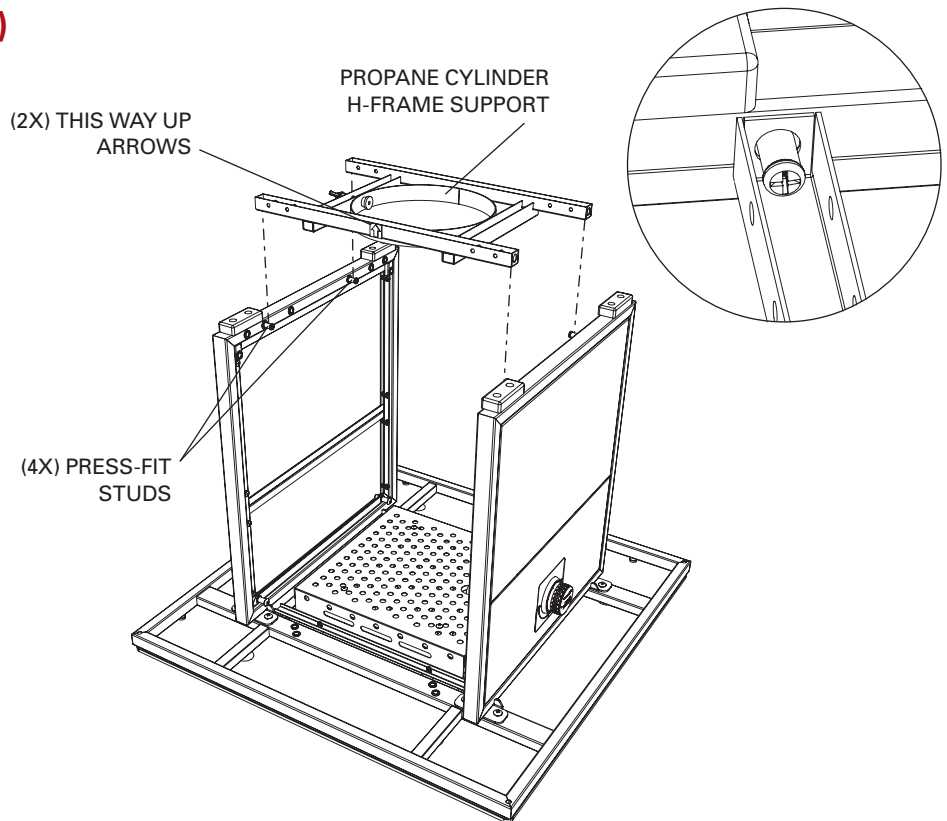
### STEP 4A

Locate the (4x) press-fit studs on the End Panels.

Mount the Propane Cylinder H-Frame Support onto the press fit studs of the End Panels.

Fit the holes in the ends of the H-Frame Support over the studs of one End Panel. Then, fit the holes over the studs of the other End Panel. You may need to lightly pull the second End Panel back a bit to fit the holes over the studs.

**IMPORTANT:** Note the labels with Arrows on the H-Frame Support. The Arrows should point up to the sky during the installation.

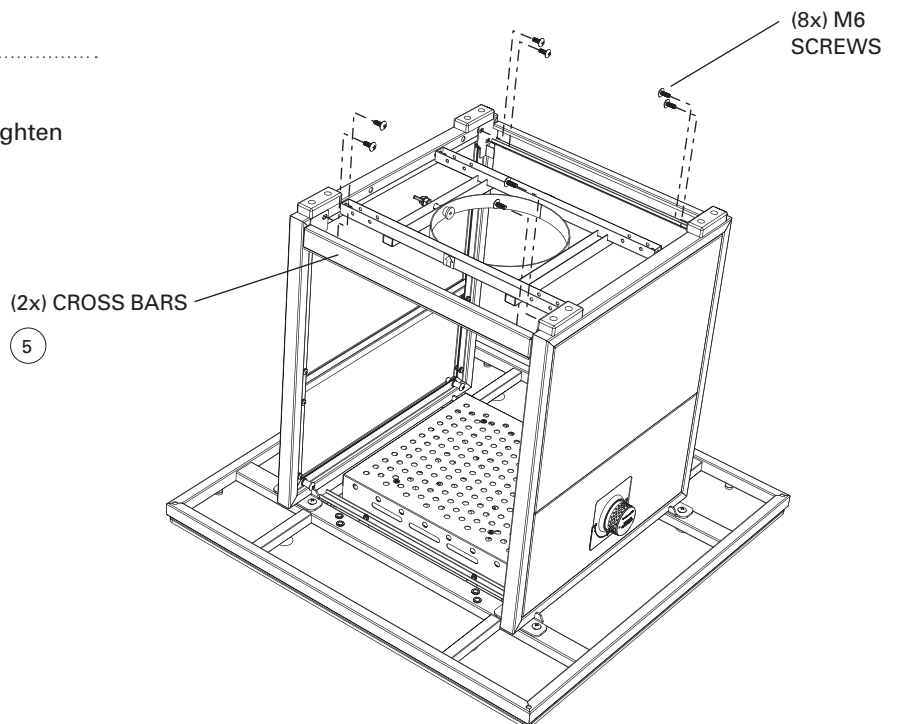


### STEP 4B

Mount (2x) Cross Bars.

### STEP 4C

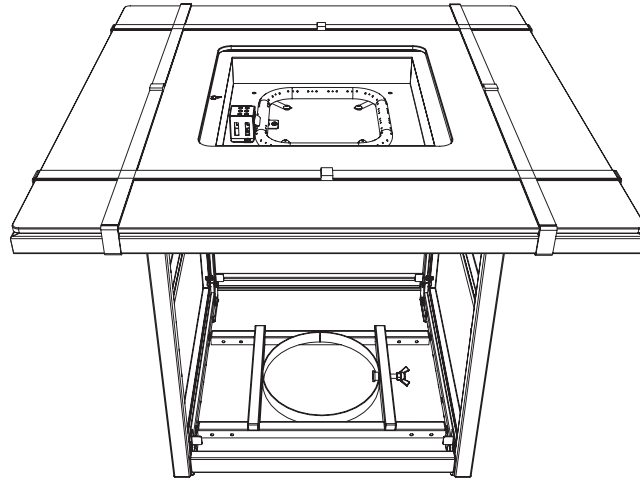
Once the (2x) Cross Bars are firmly installed, firmly tighten the (8x) End Panel screws.



## SECTION 1: ASSEMBLY (continued)

### STEP 5A

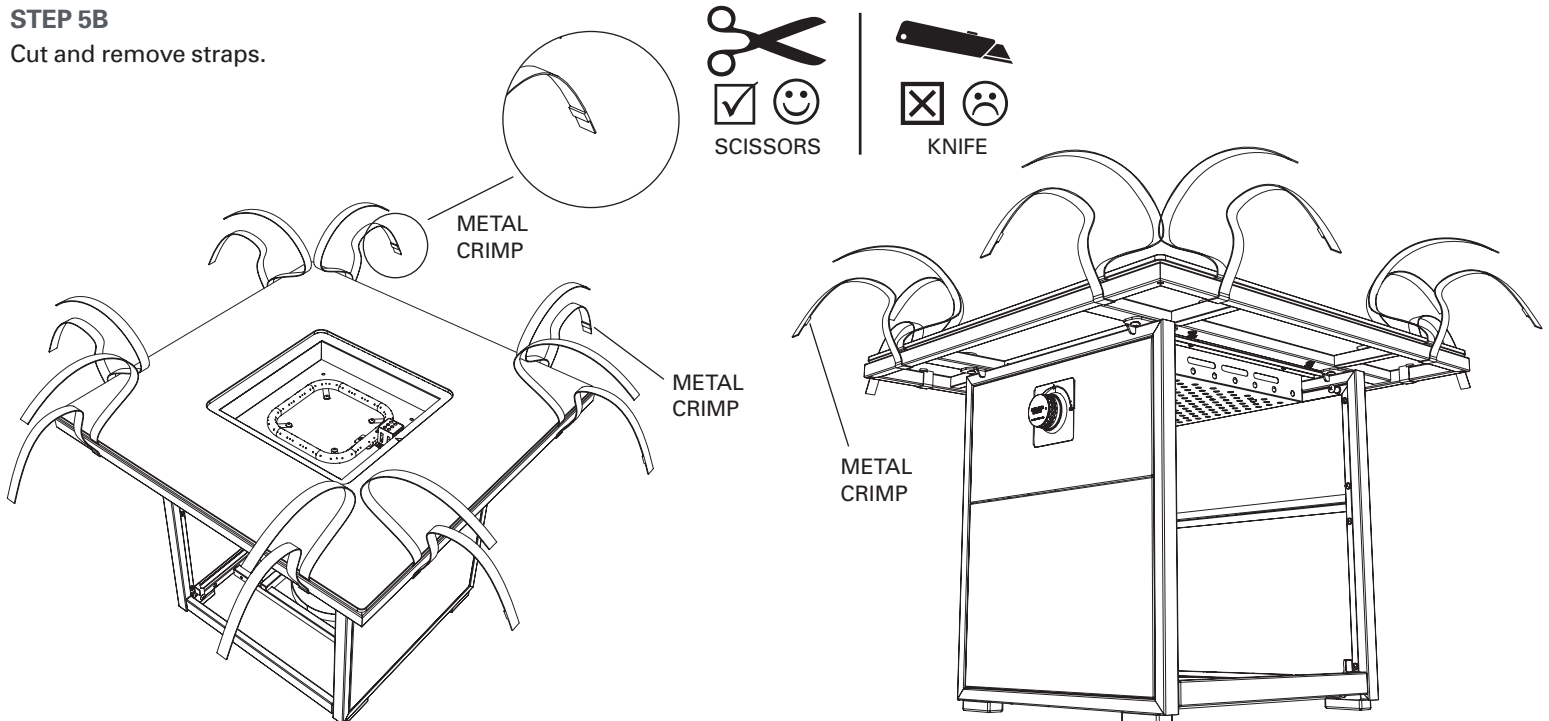
Turn fire table upright. Carefully remove the (2x) This Way Up Arrow stickers from the Propane Cylinder H-Frame Support.



HEAVY OBJECT.  
TWO PERSON LIFT REQUIRED.

### STEP 5B

Cut and remove straps.



**CAUTION!** Watch for metal crimps. Avoid damaging the powder coat surface when removing straps.

**CAUTION!** Watch for metal crimps located UNDER TABLE when removing straps.

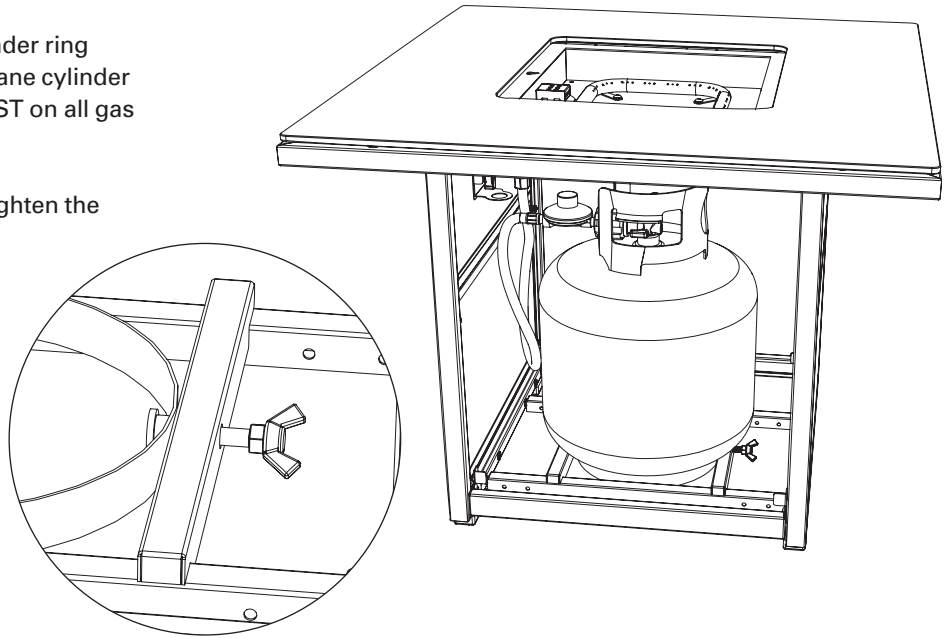
## SECTION 1: ASSEMBLY (continued)

### STEP 6: PROPANE CYLINDER ASSEMBLY

Place an approved 20lb propane cylinder into the cylinder ring (Part 6). Couple the supplied gas regulator to the propane cylinder (see section labeled "Connection"). Perform LEAK TEST on all gas couplings (see section labeled "Leak Test").

Once all connections are verified to be secure, hand tighten the cylinder collar to affix cylinder.

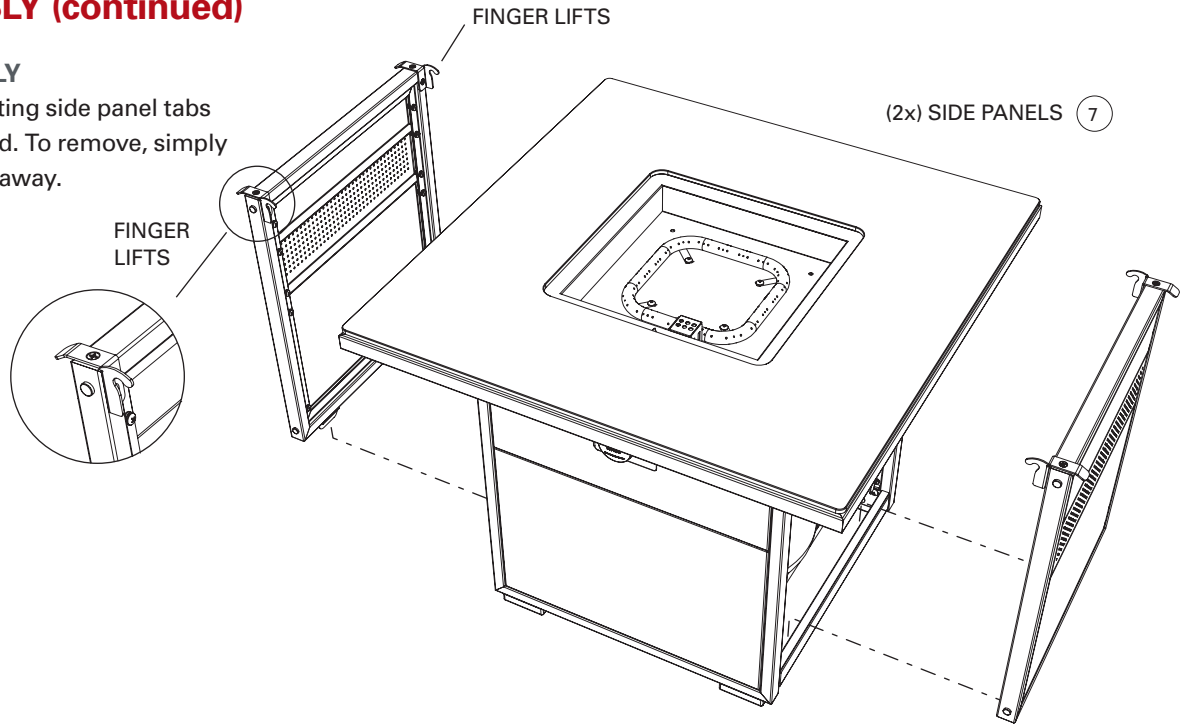
TIGHTEN  
CYLINDER COLLAR



## SECTION 1: ASSEMBLY (continued)

### STEP 7: SIDE PANEL ASSEMBLY

Assemble (2x) Side Panels by fitting side panel tabs on cross bars and pushing closed. To remove, simply use the finger-lifts and lift panel away.



### STEP 8: GLASS ROCKS ASSEMBLY

Open bag of Glass Rocks and arrange neatly and evenly in the burner tray. Ensure igniter cover is not covered by glass rocks (see photo). This helps air circulate. Take care to keep rocks out of the igniter cover. Keep igniter clean of dust. For best flame results adjust the rocks to expose the burner tube holes.

Our preferred configuration is pictured here.

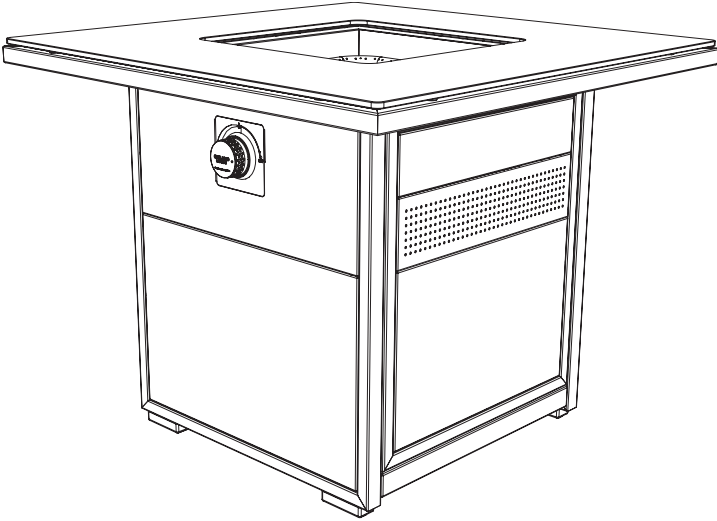
**NOTE:** *Rocks are not to exceed 4kg or 8.8lbs.*



## SECTION 1: ASSEMBLY (continued)

### STEP 9

Your OUTLAND Fire Table is assembled and ready for use.



### **WARNING:**

Never handle glass rocks which have not been allowed to cool from exposure to flame. Never attempt to rearrange glass rocks while unit is ignited.

### **WARNING:**

Avoid glass dust. Do not blow glass dust in the air. Always wear gloves to handle rocks; wear eye protection. Caution for sharp edges and glass dust when handling; use a rag to wipe glass dust. Glass dust may result during shipping.

### **NOTE TO USER:**

**Before igniting the unit for the first time, follow steps 1 through 6 in the below Ignition section.**

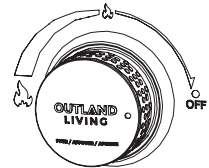
## SECTION 2: IGNITION

### STEP 1

Remove any cover, or lid, from the fire table. Make sure no debris or flammable material is in or near the burner tray area.

### STEP 2

Ensure that the gas valve knob is in the "OFF" position by pushing and turning clockwise until the dial stops.



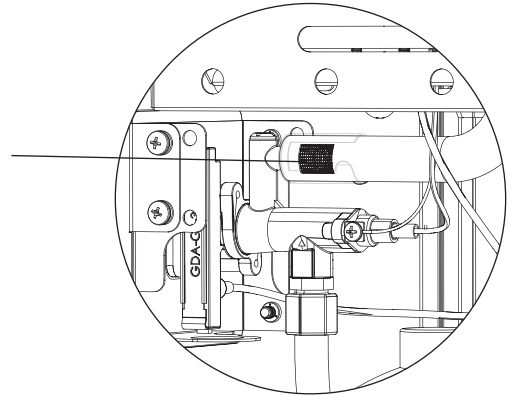
### STEP 3

Connect the LP gas cylinder. See section labelled 'Connection'.

### STEP 4

Ensure the gas hose is not contacting the top of the Fire Table enclosure and the tank is stabilized in the collar with the wing nut.

**Caution:** Always ensure the gas valve orifice and burner tube venturi is clear of all debris including spider webs.



### STEP 5

**\*\*\*SLOWLY\*\*\*** turn cylinder valve to the **FULLY** open position to avoid tripping the CSA excess flow safety device in the gas regulator. For more information about the CSA excess flow safety device see Section 3.

### STEP 6

Leak Test all connections. See section labeled "Leak Test".



## SECTION 2: IGNITION (continued)

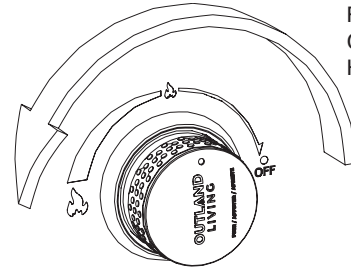
### STEP 7 IGNITION WITH THERMOCOUPLE

Your Fire Table is equipped with an auto spark ignition (piezo ignition) and thermocouple.

#### IMPORTANT:

- Confirm the igniter cable is connected.
- Confirm the round thermocouple cable is firmly connected.
- Confirm the thermocouple ground wire is firmly connected.

Push the knob in and quickly turn to the high flame mark. Do not release the gas knob. The ignitor will spark and ignite the gas.



PUSH THE KNOB IN AND QUICKLY TURN TO THE HIGH FLAME MARK

**IMPORTANT: You must hold the knob in for 10 seconds to heat up the thermocouple. If the thermocouple is not given time to heat up, the thermocouple will shut off the gas supply and the flame will go out.**

After 10 seconds, once the thermocouple is heated, release the knob and the fire table should stay lit. For more information about the thermocouple please see section “**What is a Thermocouple?**”.

If ignition does not occur, or the flame goes out after releasing the gas knob, turn the knob to the “off” position. Repeat the push-in and turn to high flame motion 2-3 times consecutively until the burner ignites. Remember to keep holding in the gas knob for at least 10 seconds once you see a visible ignition. If your Fire Table still fails to ignite, turn the knob to the “off” position. Review the section “**Ignition Troubleshooting**”.

**WARNING:** Ensure that no parts of your body, clothing, or any other combustible material are above the burner before, during and after ignition. Ensure the cover is stored safely away from the Fire Table when the Fire Table is in use.

### STEP 8

Once the unit is burning normally set the dial to desired flame height.



#### **WARNING:**

Never leave the Fire Table unattended while in operation.

### STEP 9 PERIODIC INSPECTION OF BURNER FLAMES



Upon igniting the appliance, visually verify that the burner is indeed burning as demonstrated in the image to the left. The presence of flames will confirm that the burner is burning. Periodically check that the burner flame is present during operation

by visually inspecting the burner to ensure the presence of flames.



If there are no flames present, as demonstrated in the image to the left, the appliance is likely not burning. If this is the case, IMMEDIATELY turn the valve to the “off” position if it is not already and repeat the ignition procedure as outlined in Section 2.

## SECTION 3: TROUBLESHOOTING

### FIRE TABLE WON'T LIGHT? IGNITION PROBLEM? IGNITION TROUBLESHOOTING

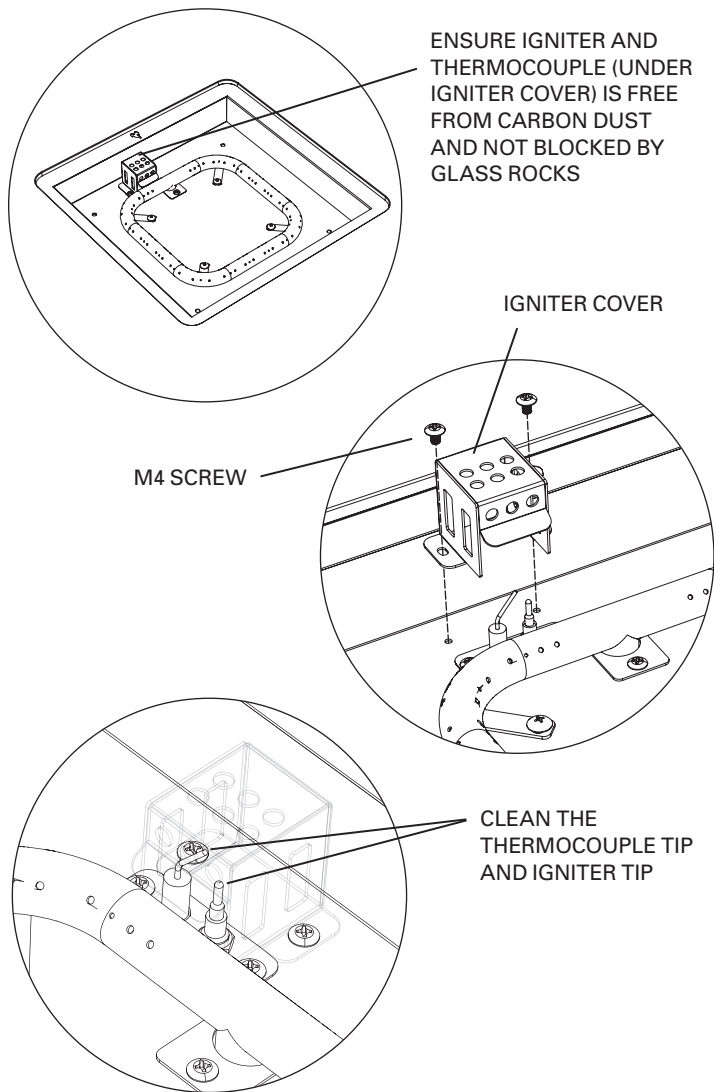
#### STEP 1

Wait 5 minutes for any gas to dissipate.

#### IF YOU CANNOT GET SPARK:

1. Look inside the igniter cover. Ensure there is no debris between the electrode tips or carbon fouling visible on the electrode tips.
2. Locate the igniter cable. Ensure the connector is attached firmly to the gas valve and the silicone cover is pressed up against the gas valve connection.

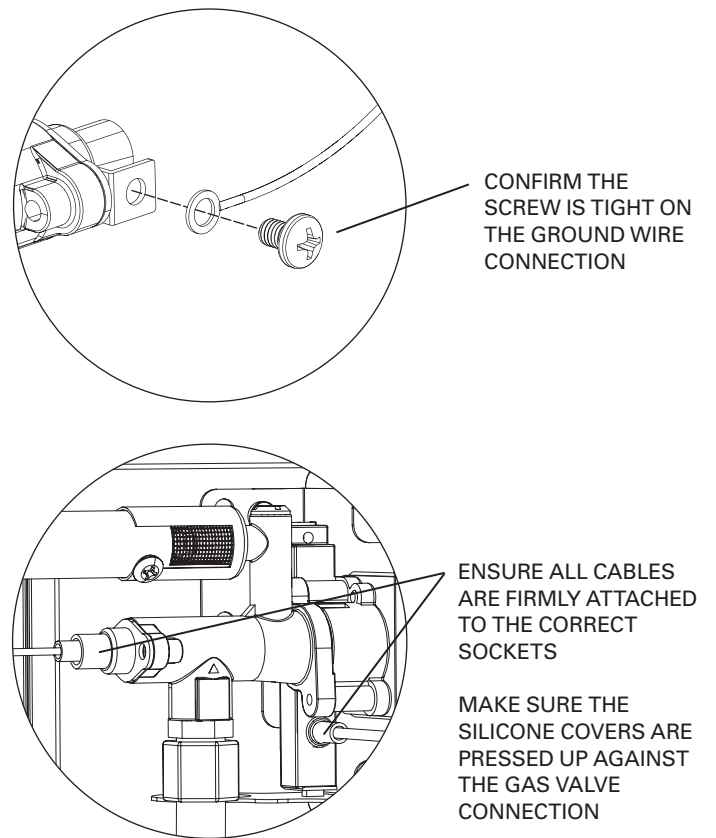
Make sure the silicone covers are pressed up against the gas valve connection.



#### IF YOU GET SPARK, BUT THERE IS NO GAS, OR THE GAS KEEPS SHUTTING OFF:

1. Locate the thermocouple ground wire. Ensure the ground screw is tight on the wire connector.
2. Locate the round thermocouple connector. Make sure it is set in the connection. Hold the gas knob on the outside, so it doesn't move and push the connector in hard. Ensure the silicone cover is pressed up against the gas valve connection.

Follow the ignition sequence again. If still no results after three tries move to step 2 below.



## SECTION 3: TROUBLESHOOTING (continued)

### STEP 2

1. Wait until the glass rocks are cool, or wait 5 minutes for any gas to dissipate, whichever is longer.
2. Turn the gas cylinder valve to the 'Closed' position.
3. Open the fire table gas knob control for 3 seconds to release gas pressure.
4. Close gas knob.
5. Locate the Igniter Cover Cap in the burner tray.
6. Wear eye protection. Use a tool to move the glass rocks away from the Igniter Cover Cap.
7. Remove the Igniter Cover Cap.
8. Use a damp rag to wipe and clean the thermocouple tip and igniter tip.
9. Ensure the spark gap is about 4 mm / 5/32" apart and has a clear path.
10. Visually inspect the spark by rotating the knob to engage the igniter (without turning the gas back on at the cylinder!) If no spark, check connections again. If spark, go to next step.
11. Replace the Igniter Cover. Ensure no glass rocks are inside the protected cover area.

**IMPORTANT:** When arranging the glass rocks back around the Igniter Cover, ensure no rocks are on top of the igniter cover. Leave sufficient room around the igniter cover so that air can circulate.

### CAUTION:

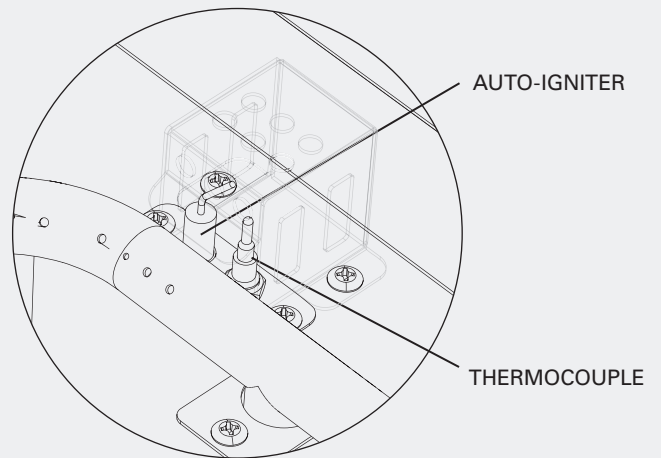
When inspecting the ignition, watch for glass dust. Wear eye protection. Use a tool or wear gloves to move glass rocks. Avoid blowing glass dust in the air.

### WHAT IS A THERMOCOUPLE?

A thermocouple is a temperature sensitive safety feature mounted underneath the igniter cover and connected to the gas valve. The thermocouple is designed to shut off the gas supply to prevent un-burnt gas from free-flowing through the burner if the table top flames go out unexpectedly.

#### TIPS:

- During ignition, the thermocouple needs to heat up for at least 10 seconds for the fire table to work properly. Please follow STEP 7 in "IGNITION" section correctly.
- The thermocouple requires a ground wire connection to the gas valve to complete the electrical circuit. If the ground connection is loose, the gas will not flow, or will intermittently shut off.
- Ensure that the round thermocouple cable is firmly plugged into the gas valve socket. The thermocouple will automatically shut off the gas if the cable is not connected properly.



## SECTION 3: TROUBLESHOOTING (continued) GOT A LOW FLAME?

**NOTE:** Elevation and temperature affect the cylinder gas pressure and performance (flame height) of gas appliances. Your geographic location or local weather may be at fault.

### STEP 1

Check propane level. If less than half full replace the cylinder.  
Repeat the ignition sequence in section 2.

### STEP 2

If the propane cylinder is full and your Fire Table experiences low flame, or flame height does not appear to be normally adjusted by the gas knob, it is likely that the CSA excess flow safety device has been tripped in the hose regulator.

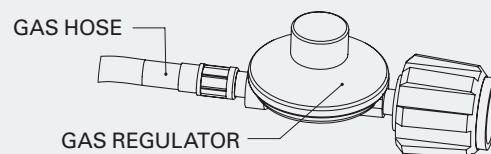
### CORRECTIVE ACTION

- a. Confirm your gas cylinder is NOT empty.
- b. Close the propane cylinder valve.
- c. Open and then close the appliance gas knob valve to release pressure.
- d. Be sure the appliance valve is OFF.
- e. Disconnect the gas hose from the propane cylinder.
- f. Gently tap the gas regulator housing on the ground once or twice.
- g. Reconnect the gas hose to the propane cylinder.
- h. Slowly and fully open the propane cylinder valve.
- i. Perform a Leak Test and follow the Ignition sequence.

**TIP:** Try tapping the regulator on the ground or hard surface 3 times. Sometimes, this will reset the safety device in the regulator.

### WHAT IS AN EXCESS FLOW SAFETY VALVE? (EFV)

The EFV is a safety mechanism contained within every propane gas regulator. The purpose of the EFV is to restrict the gas supply if too much gas is flowing too quickly through the gas hose. For example this could happen if the gas hose was severed. It is normal that your Fire Table EFV trips if you open the propane tank valve too quickly or if you leave the Fire Table gas knob open before lighting, or both.



## SECTION 4: EXTINGUISHING THE APPLIANCE

### STEP 1

Access the Fire Table interior. Turn the gas cylinder valve to the 'Closed' position.

### STEP 2

Turn the gas knob on the Fire Table to the 'OFF' position by pushing and turning the knob clockwise.

### STEP 3

Allow unit to cool for at least five (5) minutes before relighting.

**NOTE:** Never use a lid or cover to extinguish the flame on your Fire Table.

## SECTION 5: FIRE TABLE MAINTENANCE

Your Outland Fire Table requires periodic maintenance to keep it in good running order. Follow the steps below to ensure your appliance will provide you with the best possible performance:

- 1 Keep your Fire Table out of the rain and store it in a dry place. Fire Table accessories such as covers can be purchased at [www.outlandliving.com](http://www.outlandliving.com) or by calling 888-514-1663.
- 2 Always inspect and clear all valve and gas orifices of any foreign debris including spider webs prior to lighting. If any doubt there may be a nest inside, use a pipe cleaner up the tube. See section 'REMOVING INSECT NESTS'.
- 3 Clean any plugged burner orifices with a small paper clip.
- 4 Periodically remove the igniter cover and clean the igniter tip and thermocouple tip of any carbon buildup using a damp rag.
- 5 Your glass rocks may crack and turn brown and black under normal operating conditions. This does not affect the functionality of your fire table. The glass rocks can be washed clean.
- 6 If carbon deposits are noticeably forming on your glass rocks this usually indicates a lack of oxygen. Check to see the burner tube venturi opening is wide open (where the burner tube meets the gas valve). Adjust glass rocks away from the burner tube holes.
- 7 This device has been engineered to provide the maximum amount of heat and comfort. If you experience any signs of your propane cylinder 'freezing off' or start to experience lower flames than usual, please simply turn the burner control setting to low for 5–10 minutes, or replace the cylinder with a full one.
- 8 Ensure that you clean the top of your Outland Fire Table after every use to keep it looking GREAT. Simply use warm soap water to wipe down your Fire Table to keep it clean. Do not use abrasive cleaners. Especially, DO NOT USE PETROLEUM BASED SOLVENTS TO CLEAN YOUR FIRE TABLE.
- 9 Remove any debris and leaves which may have accumulated in your Fire Table burner tray before igniting.
- 10 To remove or adjust the table top glass, simply lift the glass up off of the suction cups. Popping noises are normal. Reposition the glass using the top frame rails as guides. Gently let the weight of the glass settle back down on the suction cups.

### **ATTENTION:**

It is normal for your burner tray to tarnish during regular operation. The surface tarnish on the stainless steel appears as a rusty-dark brown and gold-yellow color (it is not rust!). The tarnish is caused by the heat of the flame and can be removed by using standard stainless-steel cleaning products (we recommend a product called "Barkeeper's Friend"). Use a non-abrasive pad to wipe in the direction of the grain of the stainless-steel (do not wipe in a circular motion, or against the grain, or scratches may appear). With a little 'elbow grease', the surface tarnish can be removed.

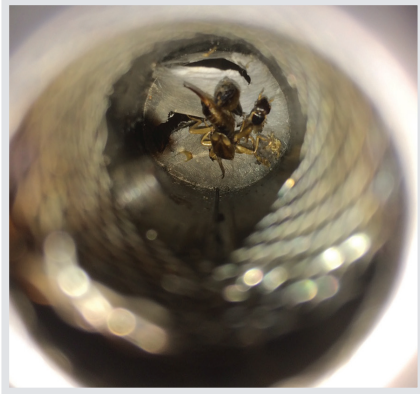
 **WARNING NOTES:**

- Expected burn time; the anticipated burn time for your Outland Fire Table using a full 20 lb (9kg) propane cylinder is between 8 and 12 hours depending on where the flame height is set.
- This is NOT a toy.
- The fire table will become extremely hot during operation! - DO NOT TOUCH THE BURNER TRAY OR GLASS ROCKS while fire table is in operation!
- Do not place ANY cover on the fire table while the fire table is in operation.
- Do not rest anything on or over the burner tray while the fire table is in operation.
- The fire table is a decorative gas appliance only. NEVER cook food on the fire table. Do not use any type of accessory as a means to cook or keep food warm on the fire table.
- Wait at least 30 minutes after turning off the fire table to allow it to cool down before touching the burner tray, or glass rocks, or putting ANY cover over the fire table.
- Please ensure that all adults and children which use or are near a unit in use are aware of the hazard of high-surface temperatures present on the unit during use and should use caution and stay away to avoid burns or clothing ignition.
- Children should be supervised at all times when using this unit without exception.
- Do not place any objects other than supplied rocks inside the burner component of the Fire Table.
- Do not add wood or any other materials to the fire.
- Your OUTLAND Fire Table is designed to safely combust propane only.
- Do not connect to a remote gas supply. Consult a certified gas technician.
- Do not use this appliance if any part has been under water. Immediately call a qualified service technician to inspect the appliance and to replace any part of the control system and any gas control which has been under water.
- Do not leave this appliance uncovered in the rain.
- NOTE: Never use a lid or cover to extinguish the flame on your Fire Table.
- Elevation and temperature affect the cylinder gas pressure and performance (flame height) of gas appliances.
- Fire Table accessories such as covers, lids, wind breaks, replacement rocks, Natural Gas Conversion Kits and parts can be purchased at [www.outlandliving.com](http://www.outlandliving.com) or by calling 888-514-1663.
- Never leave the Fire Table unattended while in operation.

## REMOVING INSECT NESTS

### **WARNING:**

Small critters like spiders and earwigs can quickly build nests inside the burner tube which can obstruct gas flow and impact the flame height and heat performance of your appliance. More seriously, a nest or blockage of the burner tube can cause a back flame event, damage to your appliance, or even extreme operator injuries!



Clean the burner tubes often and especially if the appliance has been sitting unused for a period of time. You must remove the gas valve to gain access to the burner tube for cleaning.

### **BURNER TUBE CLEANING INSTRUCTIONS:**

#### **STEP 1**

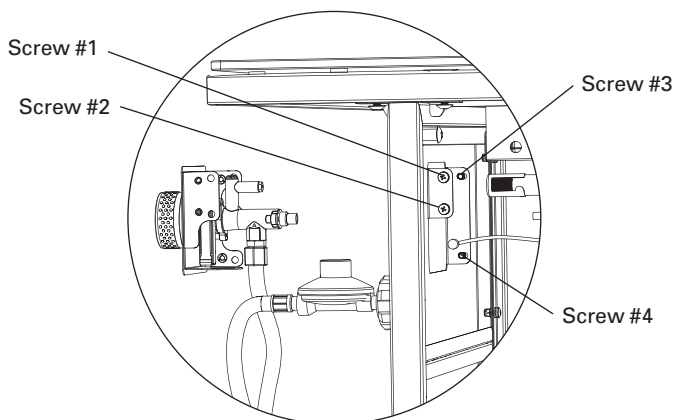
Ensure the appliance valve(s) are OFF and the cylinder valve is closed.

#### **STEP 2**

Disconnect LP Cylinder.

#### **STEP 3**

Locate and remove the gas valve body assembly mounting screws.



#### **STEP 4**

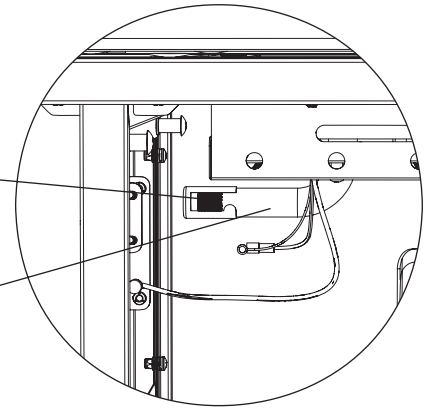
Remove the gas valve body assembly.

#### **STEP 5**

Use a flashlight to look inside the burner tube. Use a long flexible pipe cleaner, or long small utensil to clean out any debris or nest material. An air tool to blow out the burner is helpful, but please wear eye protection.

Use a pipe cleaner or long small utensil here to clean out any debris or nest material

Burner Tube



#### **STEP 6**

When the burner tube is determined to be clear, reinstall the gas valve body assembly.

**IMPORTANT: Align gas valve orifice inside burner tube.**

### **WARNING:**

The gas valve orifice should be inside the burner tube and visible through the bug screen mesh. If your orifice and burner tube does not line up like in the image above, please call customer service at (888) 514-1663 or E-Mail to [info@outlandliving.com](mailto:info@outlandliving.com).



## **1 YEAR LIMITED WARRANTY Customers in Canada and USA**

All components are warranted by the manufacturer for a period of 1 year after date of purchase by the original owner against defects in materials and workmanship under normal use.

This warranty does NOT cover normal wear and weathering, assembly and/or maintenance OR use in a commercial application. At FMI Brands' sole discretion, products under warranty will be repaired and/or replaced at no charge to the customer.

Any returns sent back to FMI Brands must be sent via prepaid freight and in the original retail packaging.

Please register your OUTLAND Living product for proof of purchase and warranty at

<https://outlandliving.com/register-products/>

For more warranty information and details please contact FMI Brands Inc. at [info@outlandliving.com](mailto:info@outlandliving.com)

**FOR REPLACEMENT PARTS AND ACCESSORIES PLEASE VISIT  
[WWW.OUTLANDLIVING.COM](http://WWW.OUTLANDLIVING.COM)**

The owner's manual is available as a free download from [www.outlandliving.com](http://www.outlandliving.com)

Replacement part orders can be sent by mail to the address on the cover of this booklet, or faxed to **(888) 797-9931**. Should you have any questions or comments regarding this appliance, please do not hesitate to contact FMI Brands Inc. at **(888) 514-1663** or E-Mail to [info@outlandliving.com](mailto:info@outlandliving.com).