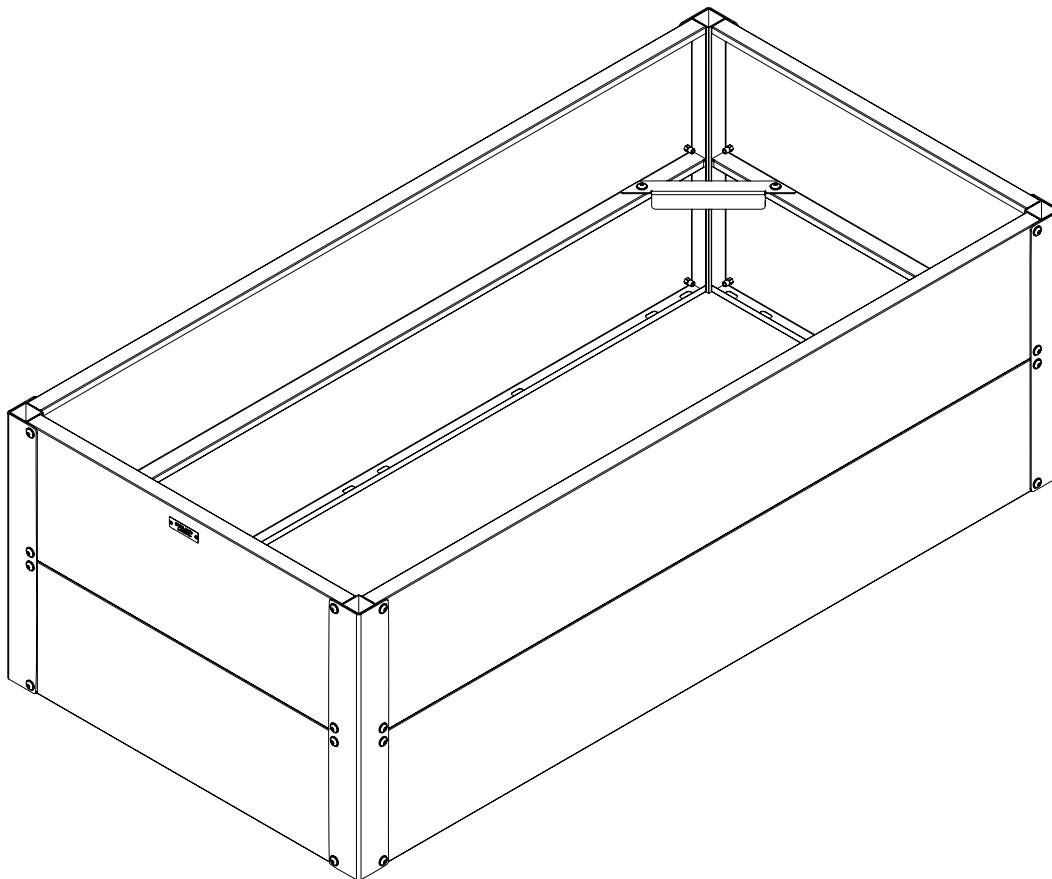


OUTLAND LIVING®

OWNER'S MANUAL

RAISED GARDEN BED

OUTDOOR LIVING PERFECTED®



Raised Garden Bed

Model number OLVG-332

® Registered trademark of FMI Brands Inc.



FMI BRANDS INC. 101 – 3570 194 Street, Surrey, BC, Canada V3Z 1A5
USA, Canada Toll Free: 1-888-514-1663 | Tel: (+1) 778-294-0988 | Email: info@outlandliving.com
Hours of Operation 8:30 AM - 4:00 PM (Pacific Time)

D.332.000.V0

Model number OLVG-332



CAUTION:

Watch for sharp edges.
Wear protective gloves if necessary.

NOTE TO INSTALLER:

Leave this guide with the consumer.

NOTE TO CONSUMER:

Please retain this guide for future use.

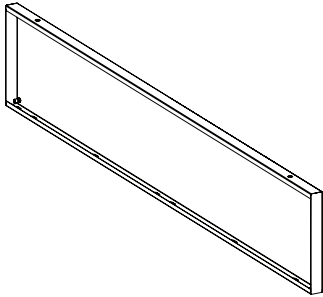
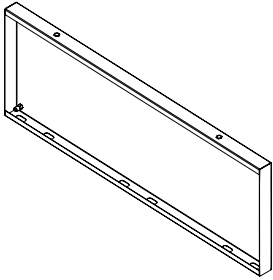
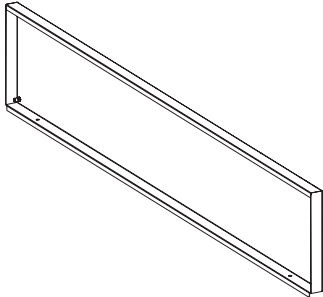
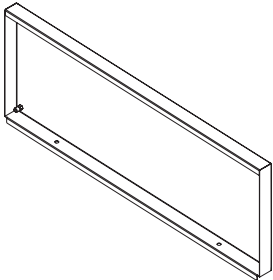



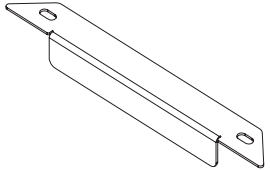
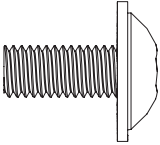

WARNING:

Improper installation, adjustment, alteration, service or maintenance can cause injury or property damage. Read the installation, operating and maintenance instructions thoroughly before installing or servicing this equipment.



SUPPLIED PARTS & HARDWARE LIST:

| PART # | DESCRIPTION | PICTURE |
|--------|-------------------------|---|
| 1 | Long Bottom Panel (x2) |  |
| 2 | Short Bottom Panel (x2) |  |
| 3 | Long Top Panel (x2) |  |
| 4 | Short Top Panel (x2) |  |

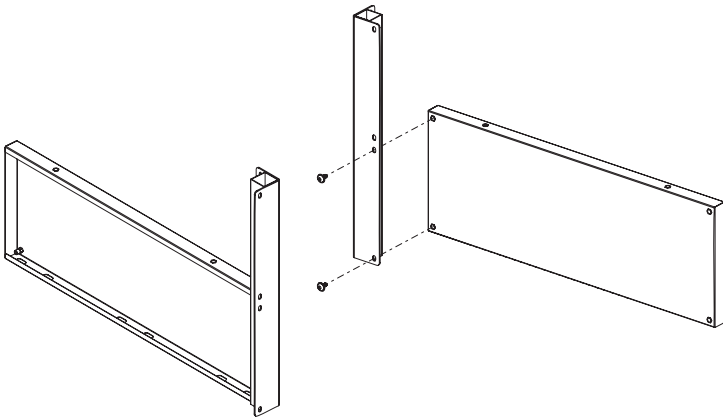
| PART # | DESCRIPTION | PICTURE |
|--------|---------------------|---|
| 5 | Corner Post (x4) |  |
| 6 | Corner Gusset (x4) |  |
| 7 | M5 x 12 Screw (x40) |  |
| 8 | Hex Tool (x1) |  |

SECTION 1: ASSEMBLY

SETUP: Base Assembly

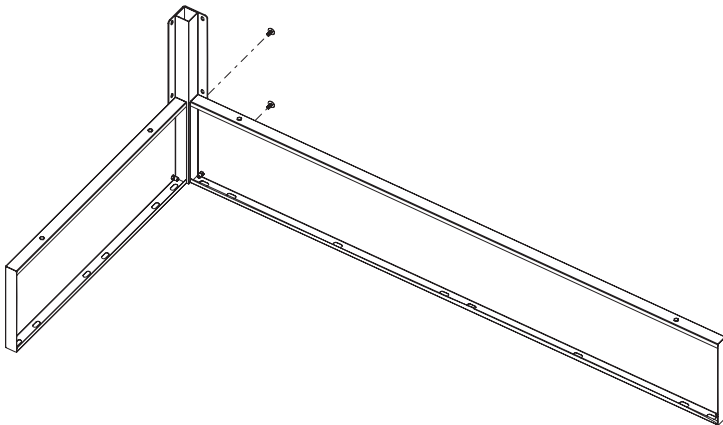
1a. Remove all components from the packing box. Identify 1 x short bottom panel (part 2) and affix the 1 x corner post (part 5) using 2x M5 x 12 screws (part 7).

NOTE: The bottom panels are fixed to the lower holes on the corner posts with the slots facing downwards



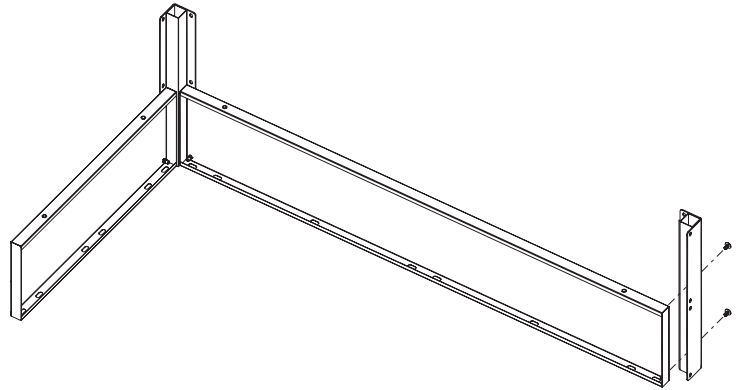
Slots facing downwards

1b. Identify 1 x long bottom panel (part 1) and affix to the opposing side of the corner post using 2x M5 x 12 screws (part 7).



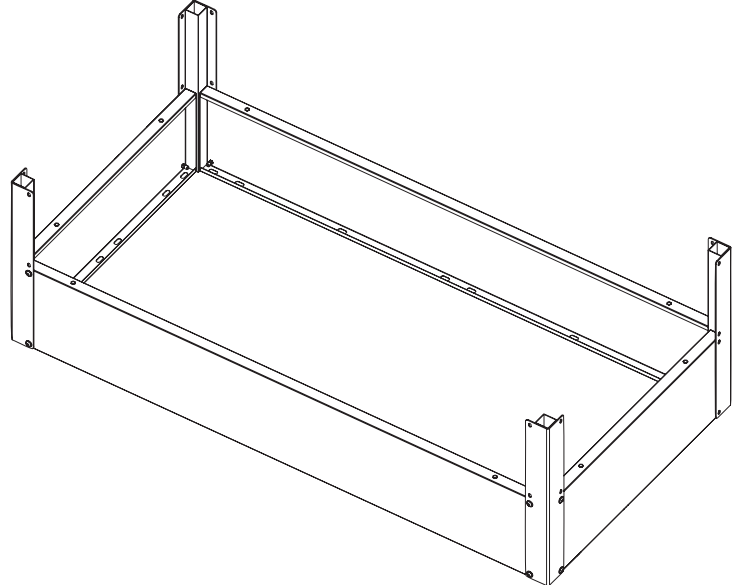
Slots facing downwards

1c. Affix 1 x corner post (part 5) to the opposing end of the long bottom panel using 2 x M5 x 12 screws (part 7)



Slots facing downwards

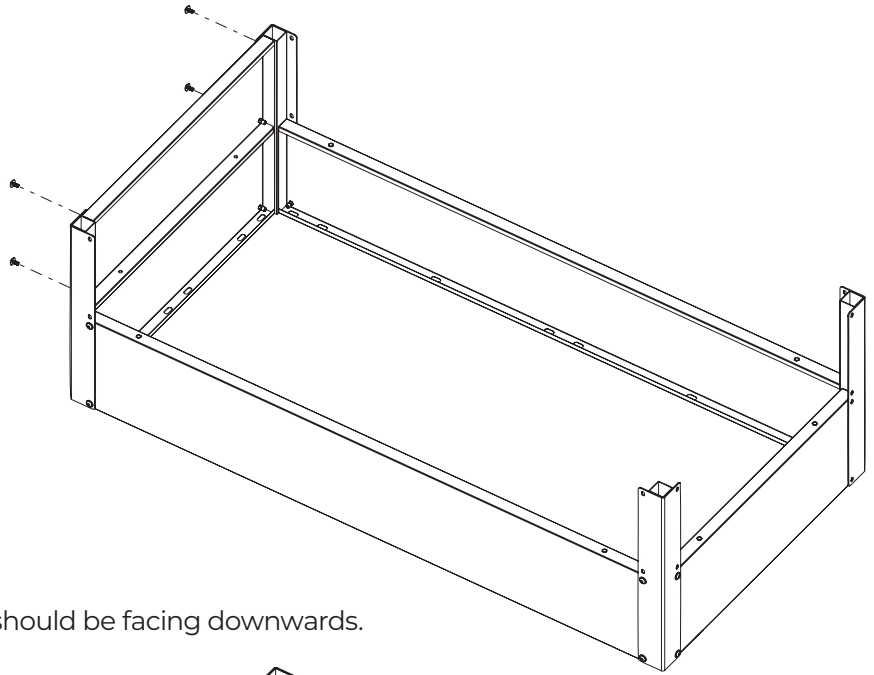
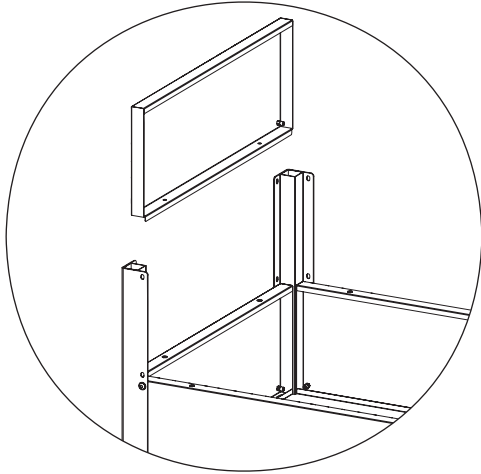
1d. Repeat these steps to attach all bottom panels.



SECTION 1: ASSEMBLY (continued)

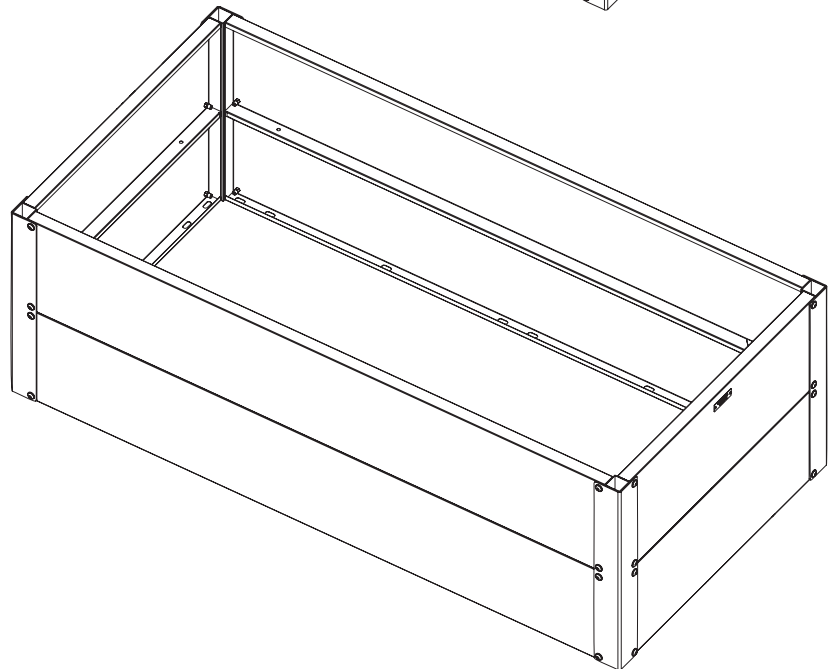
SETUP: Top Panel Assembly

2a. Identify 1 x short top panel (part 4). Slide the short top panel between the 2 corner posts. Using the (4) M5 x 12 screws (part 7) to affix the short top panel to the (2) corner posts.



NOTE: The folded flange edge on the top panel should be facing downwards.

2b. Repeat this step to attach the remaining short (part 4) and long top panels (part 3).

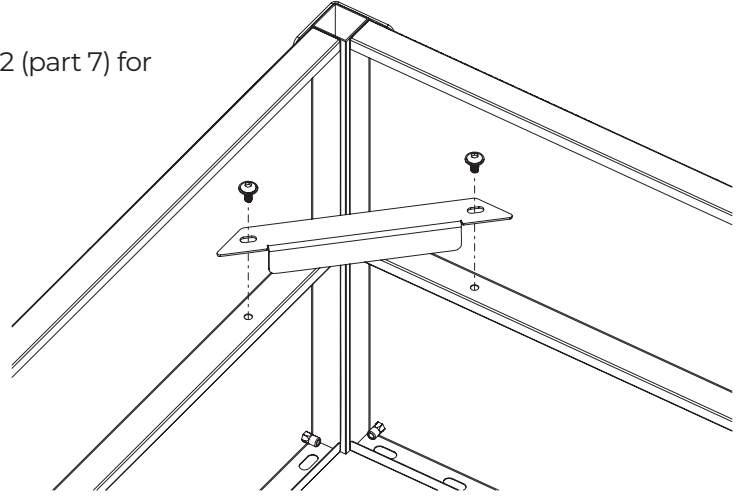


SECTION 1: ASSEMBLY (continued)

SETUP: Raised Garden Bed Assembly

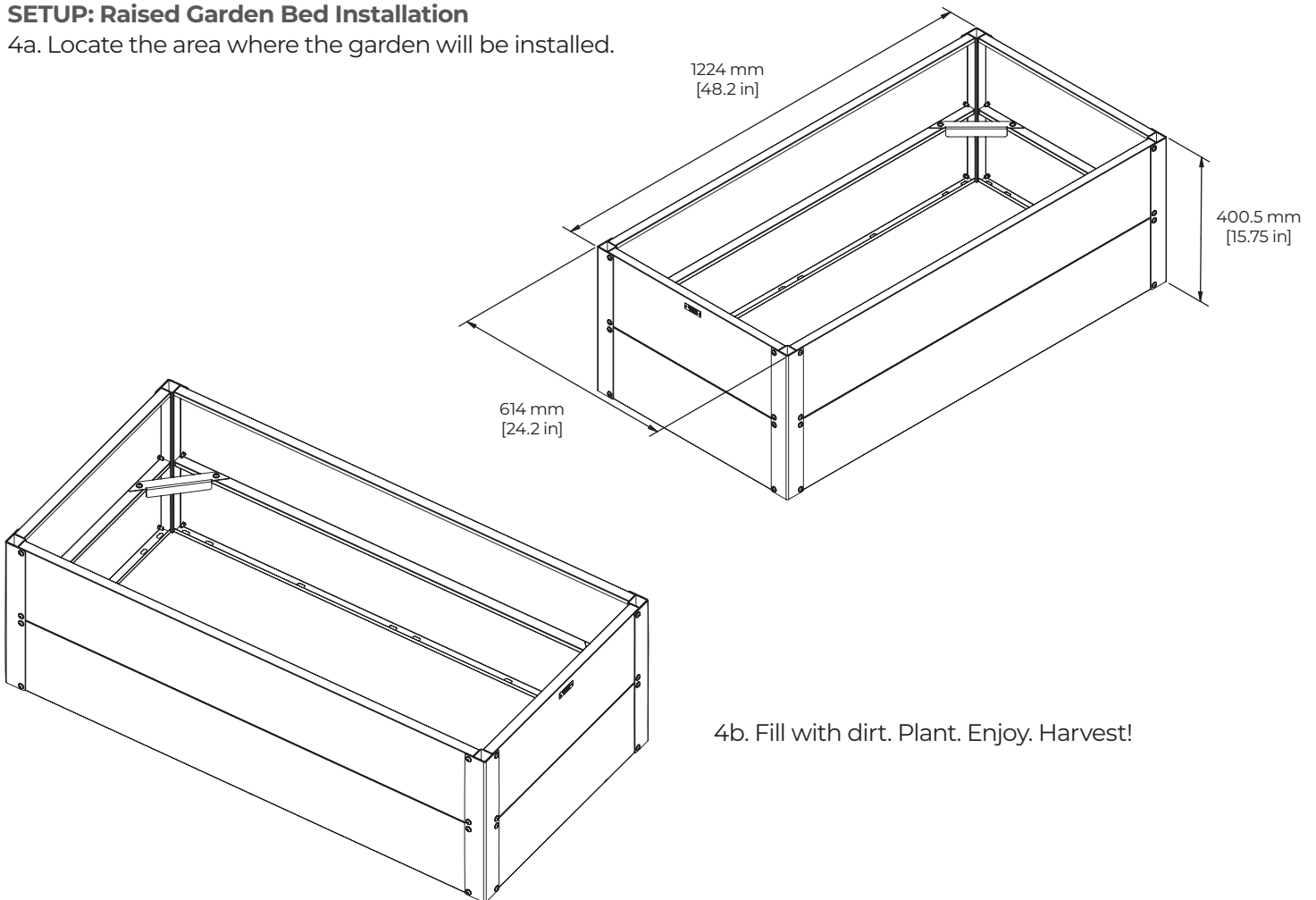
3a. Attach corner gussets (part 6) to the panels. Use 2 x M5 x 12 (part 7) for each gusset. Repeat 3 times.

Note: Corner gusset flange facing down.



SETUP: Raised Garden Bed Installation

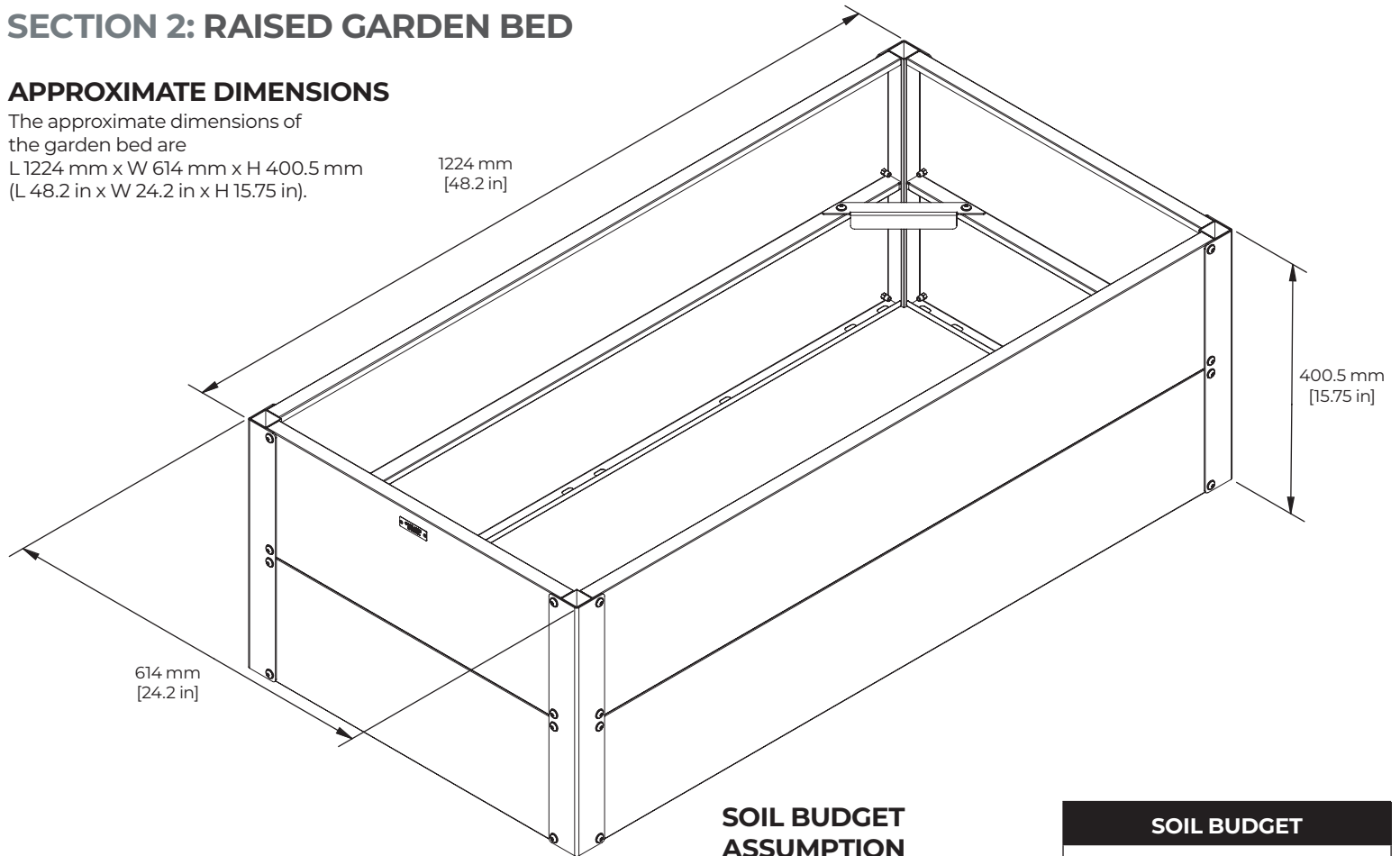
4a. Locate the area where the garden will be installed.



SECTION 2: RAISED GARDEN BED

APPROXIMATE DIMENSIONS

The approximate dimensions of the garden bed are
L 1224 mm x W 614 mm x H 400.5 mm
(L 48.2 in x W 24.2 in x H 15.75 in).



SOIL BUDGET ASSUMPTION

Add your preferred type and volume of potting soil mix. (Soil not included). Plan your soil budget for 284L (75 Gal) of soil mix and/or adjust the volume of soil to suit your need.

SOIL BUDGET

| |
|-----------------------------------|
| 284 Litres (L) |
| 75 US Gallon |
| 10 cubic foot (ft ³) |
| .37 cubic yard (yd ³) |
| .28 cubic meter (m ³) |

SECTION 3: SET UP INSPECTION SEQUENCE

The raised garden bed should be inspected before use and at least annually.

- Ensure no parts are missing and all fasteners are firmly tightened.

This appliance is NOT a toy.

WARNING:

Do not climb on the Raised Garden Bed or use it as a step or serious injury, property damage may occur.

STOP:

Do not return this product to the store.

If you need help or parts, call the OUTLAND Hotline:

1-888-514-1663

Get help for:

- Missing/damaged parts • Assembly • Troubleshooting
- Warranty Assistance • Product Information

1 YEAR LIMITED WARRANTY **Customers in Canada and USA**

All components are warranted by the manufacturer for a period of 1 year after date of purchase by the original owner against defects in materials and workmanship under normal use. This warranty does NOT cover normal wear and weathering, assembly and/or maintenance OR use in a commercial application. At FMI Brands' sole discretion, products under warranty will be repaired and/or replaced at no charge to the customer. Any returns sent back to FMI Brands must be sent via prepaid freight and in the original retail packaging.

Please register your OUTLAND Living product for proof of purchase and warranty at

<https://outlandliving.com/register-products/>

For more warranty information and details please contact FMI Brands Inc. at info@outlandliving.com

**FOR REPLACEMENT PARTS AND ACCESSORIES PLEASE VISIT
WWW.OUTLANDLIVING.COM**

The owner's manual is available as a free download from www.outlandliving.com

Should you have any questions or comments regarding this product, please do not hesitate to contact FMI Brands Inc. at **(888) 514-1663** or E-Mail to info@outlandliving.com.