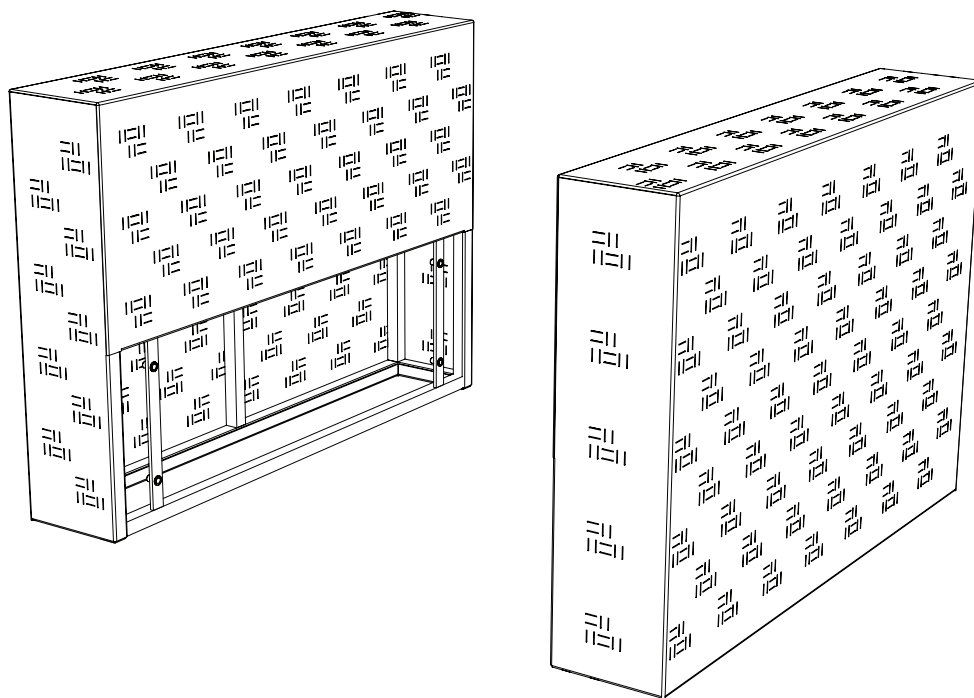


# OUTLAND LIVING®

## OWNER'S MANUAL

### SUNSHINE COAST MODULAR OUTDOOR FURNITURE SYSTEM COMPONENT: ARM RESTS

OUTDOOR LIVING PERFECTED®



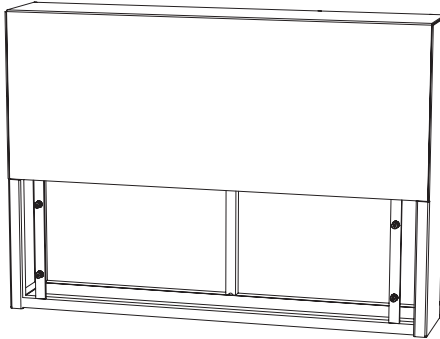

Model: OLSC-120



#### FMI BRANDS INC.

101 - 3570 194 Street, Surrey, BC Canada V3Z 1A5 • [www.outlandliving.com](http://www.outlandliving.com)  
USA, Canada Toll Free: 1-888-514-1663 • Tel: (+1) 778-294-0988 • Email: [info@outlandliving.com](mailto:info@outlandliving.com)  
Hours of Operation: 8:30AM - 4:00PM (Pacific Time) • Customer Service in English only

## Supplied Parts & Hardware List:

PART #	DESCRIPTION	QUANTITY	PICTURE
1	Arm Rest	2	
2	1" Length Screws, ¼ - 20 thread	8 +1	

 **WARNING:**

Improper assembly, adjustment, alteration, service or maintenance can cause injury or property damage. Read the Owner & Safety Manual instructions thoroughly before assembling or servicing this product.

**INSTALLER:** Leave this manual with the consumer.  
**CONSUMER:** Retain this manual for future reference.



**NOTES:**

## SECTION 1: ASSEMBLY

### STEP 1

On a level, non-marking surface, place one Arm Rest on each side of the Chair. Note the mounting bracket hole alignment between components.



HANDLE WITH CARE

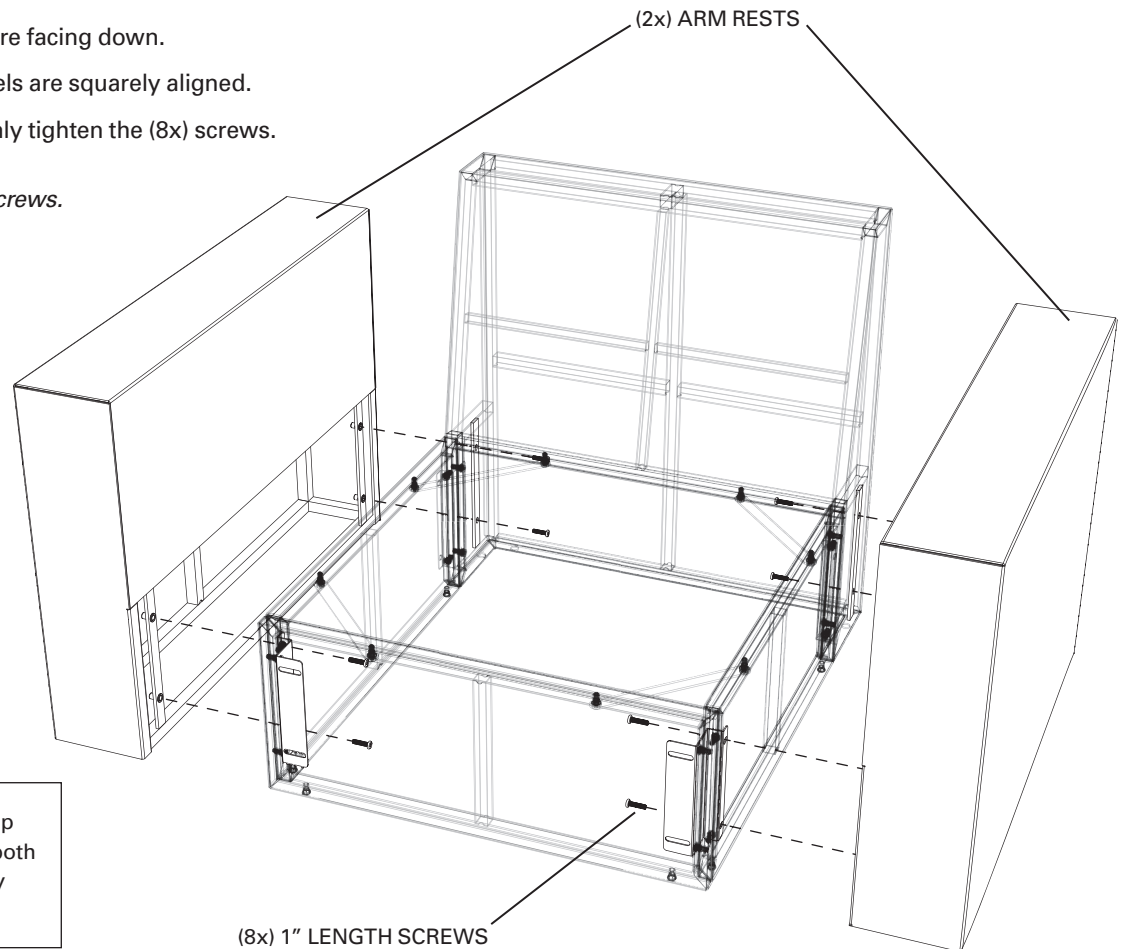
The Sunshine Coast modular component furniture system features high quality aluminum frames woven with 100% new all weather HDPE resin wicker and luxury cushions constructed with premium materials.

### STEP 2

Fasten the (2x) Arm Rests to the Chair using (8x) 1" Length Screws.

- Confirm the feet mounting holes are facing down.
- Ensure the ends of the wicker panels are squarely aligned.
- After confirming A & B above, firmly tighten the (8x) screws.

**Note:** No nuts are needed for these screws.

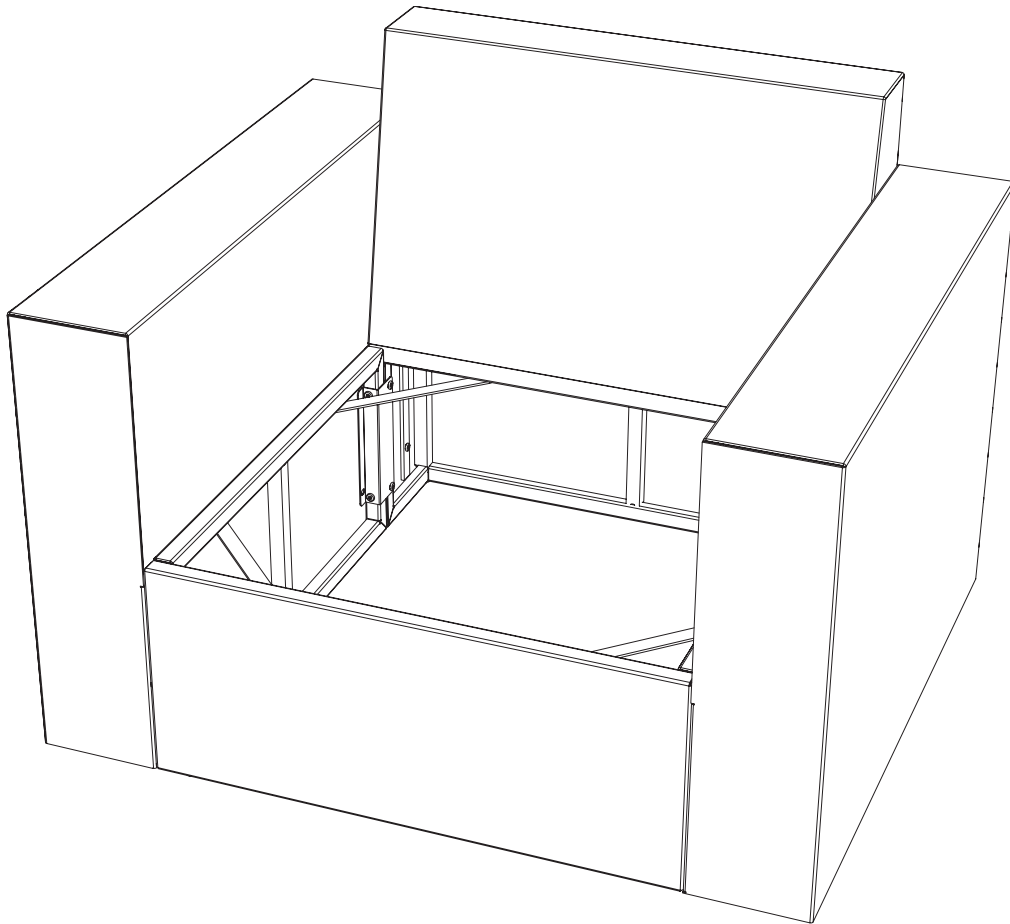


**⚠ ATTENTION:** Wiggle the screw tip through gaps in the wicker between both panels. Use the Hex Key Tool to firmly fasten the screws.

## SECTION 1: ASSEMBLY (continued)

### STEP 3

Once the Arm Rests are firmly installed, return to the CHAIR or CORNER UNIT Owner's Manual and follow the directions to complete the overall assembly.



## SECTION 3: MAINTENANCE

OUTLAND LIVING Outdoor Furniture is meant for outdoor use and requires periodic maintenance to keep it in good condition.

The all-weather resin wicker weave is made from 100% new high-density polyethylene. HDPE is commonly recyclable, BPA and Phthalate free and identified as the #2 plastic resin, the same material as milk jugs.

Should any part of the wicker furniture become soiled or dirty, wash down with soap and water. Use a soft brush and/or non-abrasive cloth. Use only water-based cleaners.

The furniture frame is made from durable powder coated aluminum. Rust should not be an issue.

The screw fasteners are made from 304 stainless steel. Routinely check fasteners to ensure they are firmly tightened.

Cover and/or store your furniture to protect it from the elements, between seasons, or when not in use.

Ensure the seat cushion mesh is facing down for water drainage.

### **IMPORTANT!**

**Do NOT use petroleum based, alcohol based, flammable or corrosive cleaning products on or near the furniture. Doing so may destroy the wicker resin material! If in doubt, test a small inconspicuous section first.**

### **ATTENTION:**

The furniture cushion covers are removable and washable, but can be challenging to put back on. When replacing the covers, smooth the cushion interior batting to prevent lumps.

### CUSHION CARE

- **Hand Washing (with or without the cushion cover removed):** Make a lukewarm water solution with 1/4 cup mild soap and one gallon of lukewarm water. Allow to absorb into the fabric. Lightly stir the stain with a sponge or a very soft bristle brush. Rinse thoroughly. Air dry. Heavier stains may need to be pre-soaked and machine washed.

- **Machine Washing:** Remove the covering with caution first. All zippers should be closed. Machine wash on the delicate cycle in cold water with a regular dose of mild laundry detergent. Allow the fabric to dry naturally.

## **WARNING NOTES:**

- This product is not a toy.
- Children should always be supervised when using the furniture.
- Do not jump or climb on the furniture, as it may break or tip over, causing injury or death.
- Never allow children to climb inside the furniture interior compartments as they may become trapped, and/or injury or death could occur.
- **CAUTION:** Pinch points!  
Watch out for pinching fingers when replacing the seat panel after lifting and/or accessing the inside compartment areas.
- **CAUTION:** Watch for sharp edges!  
If the wicker somehow gets snagged and pulls a sharp corner, you can smooth it flat using a wooden spoon.

Our Quality Control team makes every effort to catch all the small imperfections, but sometimes something slips through. Here are some QUICK FIX Tips:

- If you happen to find a raised staple, please reset it by pushing it down.
- Exposed staples can usually be hidden by sliding the strands of wicker weave.

Periodically check under and inside the furniture compartments to clear insect or animal nests, especially after the furniture has been covered, stored, or unused for periods of time.

## **1 YEAR LIMITED WARRANTY** **Customers in Canada and USA**

All components are warranted by the manufacturer for a period of 1 year after date of purchase by the original owner against defects in materials and workmanship under normal use.

This warranty does NOT cover normal wear and weathering, assembly and/or maintenance OR use in a commercial application. At FMI Brands Inc.'s sole discretion, products under warranty will be repaired and/or replaced at no charge to the customer.

Any returns sent back to FMI Brands Inc. must be sent via prepaid freight and in the original retail packaging.

**Please register your OUTLAND Living product for proof of purchase and warranty at:**

<https://outlandliving.com/register-products/>.

Registration in English only.

For more warranty information and details, please contact Customer Service at [info@outlandliving.com](mailto:info@outlandliving.com).



**If you experience ANY problems with your Outland Furniture Set, PLEASE DO NOT RETURN IT TO YOUR POINT OF PURCHASE!**

Simply call us or send an email to [info@outlandliving.com](mailto:info@outlandliving.com) and we will answer all questions and/or concerns that you may have.

We take pride in our products at FMI Brands Inc. (Outland Living) and will strive to provide excellent customer support.

**FMI BRANDS INC.**

101 - 3570 194 Street, Surrey, BC Canada V3Z 1A5

USA, Canada Toll Free: 1-888-514-1663

Tel: (+1) 778-294-0988

Email: [info@outlandliving.com](mailto:info@outlandliving.com)

Hours of Operation: 8:30AM - 4:00PM (Pacific Time)

Customer Service in English only

**FOR REPLACEMENT PARTS AND ACCESSORIES PLEASE VISIT  
[WWW.OUTLANDLIVING.COM](http://WWW.OUTLANDLIVING.COM)**

Replacement part orders can be sent by mail to the address on the cover of this booklet.

This Owner's Manual is available as a free download from [www.outlandliving.com](http://www.outlandliving.com).