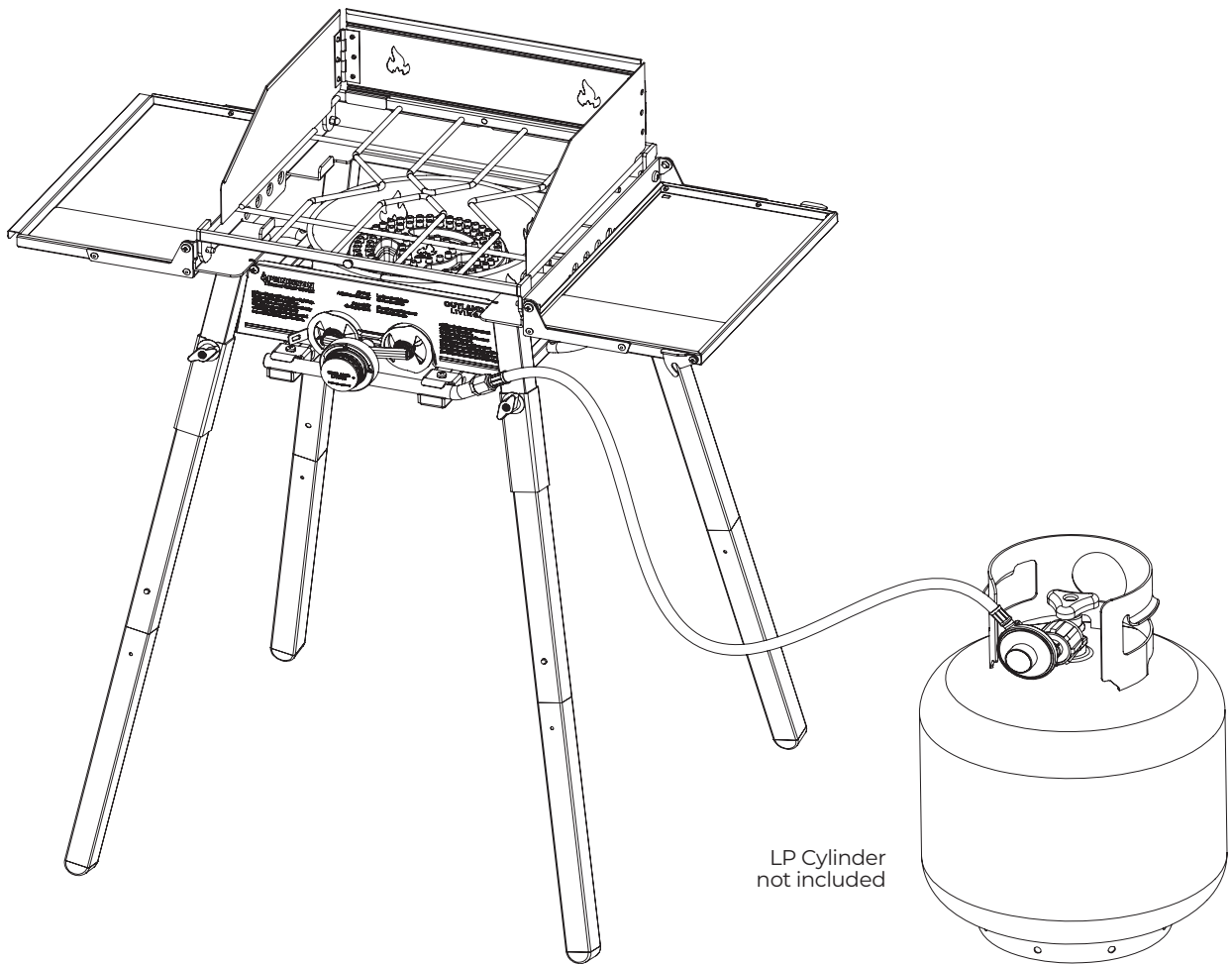


**OUTLAND
LIVING®**
PRINCETON
1 BURNER GAS STOVE

Owner's Manual

OUTDOOR LIVING PERFECTED®



LP Cylinder
not included



Model number FM1BS-215
(1x) 30,000 BTU/h cast aluminum burner with OUTLAND DuoFlame™ control technology.

Design Patent Pending.™ is a trademark of FMI Brands Inc.
® is a registered trademark of FMI Brands Inc.
The OUTLAND flame is a registered trademark of FMI Brands Inc.



MANUFACTURED BY FMI BRANDS INC 101-3570 194 Street, Surrey, BC Canada V3Z 1A5
USA, Canada Toll Free: 1-888-514-1663 | Email: info@outlandliving.com
Hours of Operation: 8:30AM - 4:00PM (Pacific Time)

D.215.000.V1



Model number FM1BS-215 - Tested by CSA International
ANS Z21.89-2017/CSA 1.18-2017 Outdoor Cooking Specialty Gas Appliances

This instruction manual contains important information necessary for the proper assembly and safe use of this product. Read and follow all warnings and instructions before assembling and using the appliance. Follow all warnings and instructions when using the appliance. Keep this manual for future reference.

DANGER:

If you smell gas:

- Shut off gas to the appliance.
- Extinguish any open flame.
- Open lid.
- If odor continues, keep away from the appliance and immediately call your gas supplier or fire department.

Failure to follow these instructions could result in fire or explosion, which could cause property damage, personal injury or death.



**WARNING!
HOT SURFACE!**
The top grill area, the side walls, the bottom and wind break may become extremely hot during operation!


DANGER:

- Never operate this appliance unattended.
- Never operate this appliance within 10 ft (3.0 m) of any structure, combustible material or other gas cylinder.
- Never operate this appliance within 25 ft (7.5 m) of any flammable liquid.
- Do not fill cooking vessel beyond maximum fill line.
- If a fire should occur, keep away from appliance and immediately call your fire department. **DO NOT ATTEMPT TO EXTINGUISH AN OIL OR GREASE FIRE WITH WATER.**

Failure to follow these instructions could result in fire, explosion or burn hazard, which could cause property damage, personal injury or death.



CALIFORNIA PROPOSITION 65

 **WARNING:** This product can expose you to chemicals including carbon monoxide (CO), soot and other gas-fuel combustion by-products, which are known to the State of California to cause cancer, birth defects or other reproductive harm. For more information go to Cancer and Reproductive Harm - www.P65Warnings.ca.gov.

DANGER



CARBON MONOXIDE HAZARD

This appliance can produce carbon monoxide which has no odor.

Using it in an enclosed space can kill you.

Never use this appliance in an enclosed space such as a camper, tent, car, or home.

WARNING:

Do not store or use gasoline or other flammable vapors and liquids in the vicinity of this or any other appliance.

An LP-cylinder not connected for use shall not be stored in the vicinity of this or any other appliance.

WARNING:

For outdoor use only.

WARNING:

If the information in this manual is not followed exactly, a fire or explosion may result causing property damage, personal injury or loss of life.

Installation and service must be performed by a qualified installer, service agency or the gas supplier.

CAUTION:

For residential and recreational use only.

Do not use for commercial purposes.

This appliance is only intended for heating water (not oil or grease). This appliance is not for frying.

CAUTION:

Watch for sharp edges, especially as noted in the manual. Wear protective gloves if necessary.

WARNING:

Improper installation, adjustment, alteration, service or maintenance can cause injury or property damage. Read the installation, operating and maintenance instructions thoroughly before installing or servicing this equipment.

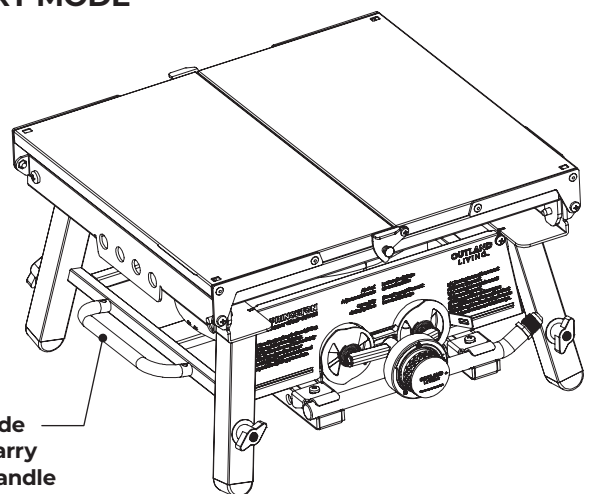
DANGER :

Do not store grill until cool to touch. Failure to do so could result in fire resulting in property damage, personal injury or death.

SECTION 1: ASSEMBLY

This appliance may be used on a table top, or deployed for standing operation. For Installation on (or over) a level, stable, non-combustible surface only.

CARRY MODE



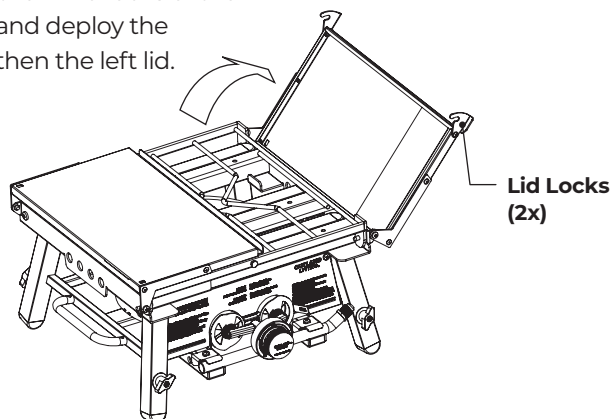
Side Carry Handle

SECTION 1: ASSEMBLY (continued)

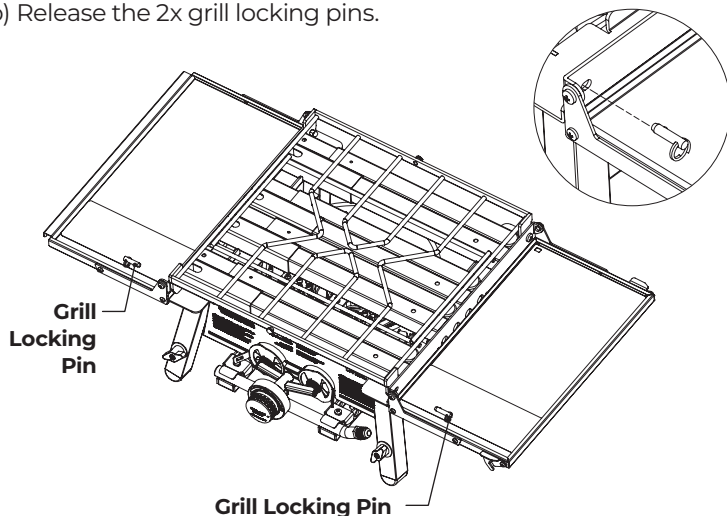
SETUP: STANDING OPERATION

STEP 1: TAKE OUT WINDBREAK AND LEG EXTENSIONS

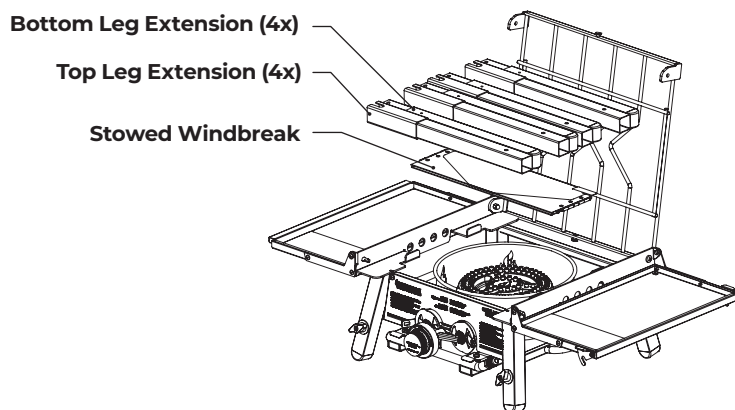
- a) Release the 2x lid locks of the right lid and deploy the right lid then the left lid.



- b) Release the 2x grill locking pins.



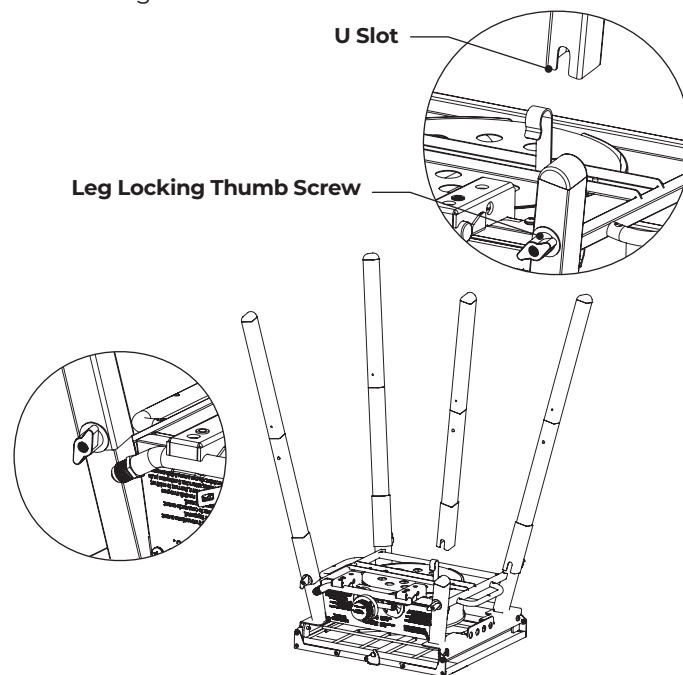
- c) Lift the grill to take out the windbreak and leg extensions.



- d) Close the grill and set the 2x grill locking pins. Ensure both 2x pin ball bearings are fully through the holes and the ball bearing engagement should be visible on the other side.
- e) Close both lids and latch the 2x lid locks.
- f) Assemble the leg extensions. Push down hard enough so that the spring button from the level below fully snaps into place. You may need to wiggle and adjust the tube position to allow the spring button to pop through the hole.

STEP 2: INSTALL LEG EXTENSIONS

- a) Lay the appliance on its back. NOTE: To avoid scratching or denting choose a flat non-marking surface.
- b) Insert the legs into the ends of the leg extensions. The side with the leg locking thumb screw should engage with the U slot of the leg extension.



- c) Ensure the legs are fully seated before tightening the leg locking thumb screws.
- d) Turn stove over and stand on legs.

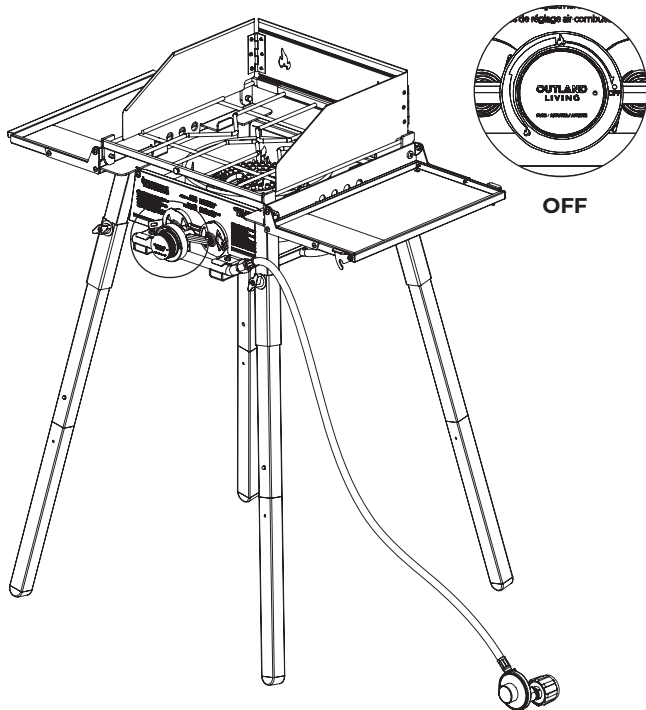
! IMPORTANT:

Ensure all 4x leg extensions are fully seated. The thumb screw washer should be on top of the U slot. The thumb screws should be fully tightened before turning the stove over.

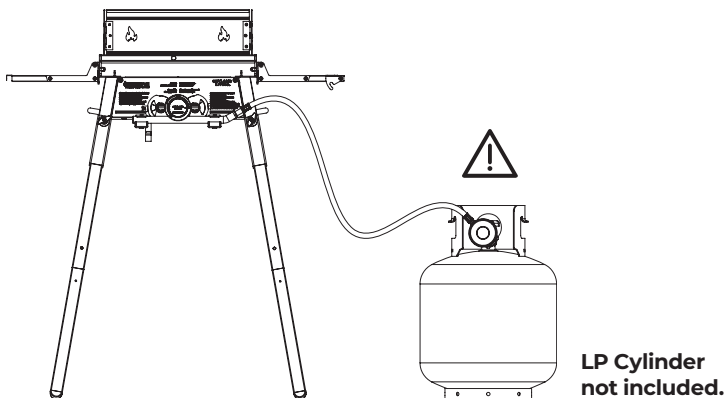
SECTION 1: ASSEMBLY (continued)

STEP 3: STANDING DEPLOYMENT

- Place appliance on a level, stable, non-combustible surface.
- Unlatch the lid locks.
- Deploy left and right lid.
- Deploy wind break.
- Ensure the gas knobs on the appliance are set to OFF.



- Connect LP cylinder (see section labelled "Connection").
- Your OUTLAND appliance is assembled and ready for use.



STEP 4 : ENSURE THE STOVE IS LEVEL AND STABLE

Most ground terrain is uneven. The stove should be level and stable prior to operation. If the stove is not level, or does not make solid contact with the ground on all four legs follow these tips:

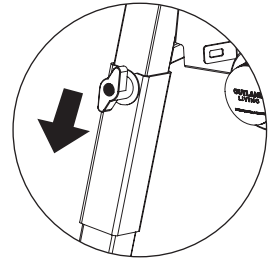
LOCATION ADJUSTMENT

Reposition the standing location of the stove. Often, moving a few inches in one direction, or another, will firmly ground and level the stove. If not successful the first time, try a few more locations.

LEG HEIGHT ADJUSTMENT

If repositioning the stove is not successful, adjust the leg height. Typically, one leg adjustment is all it takes.

- Assess which leg requires height adjustment.
- Loosen the leg locking thumbscrew.
- Slide the leg extension down just far enough to make contact with the ground and level the stove.
- Tighten the leg locking thumbscrew. Ensure it is firmly set.
- Check the stove is level. Readjust the leg height(s) as necessary.



WARNING:

Ensure the appliance is level and stable on a non-combustible surface. **DO NOT OPERATE APPLIANCE ON A SLOPE.** It is recommended to use large flat rocks to level the appliance if the ground is very uneven.

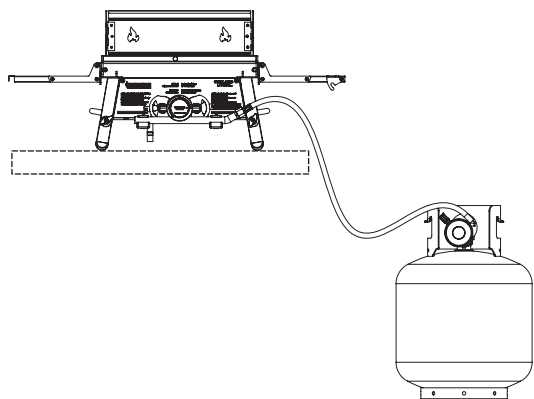
IMPORTANT:

- Ensure the gas hose is not contacting the appliance enclosure and the LP cylinder is stabilized.
- Perform **LEAK TEST PRIOR TO IGNITION.** Leak test all gas coupling connections. (see section labelled "Leak Test").
- Ensure that the appliance is kept at a minimum distance of 3 feet (36") (0.91 m) from the LP cylinder.
- Use caution, the hose is a potential trip hazard.

SECTION 1: ASSEMBLY (continued)

SETUP: TABLE TOP DEPLOYMENT

1. Place appliance on a level, stable, non-combustible surface.



2. Release the 2x lid locks of the right lid and deploy the right lid then the left lid.
3. Release the 2x grill locking pins and lift the grill to take out the windbreak and leg extensions.

4. Store the legs safely away from appliance.
5. Close the grill and set the 2x grill locking pins. Ensure both 2x pin ball bearings are fully through the holes and the ball bearing engagement should be visible on the other side.
6. Deploy wind break.
7. Ensure the gas knobs on the appliance are set to OFF.
8. Connect LP cylinder (see section labelled "Connection").
9. Your OUTLAND appliance is assembled and ready for use.

! IMPORTANT:

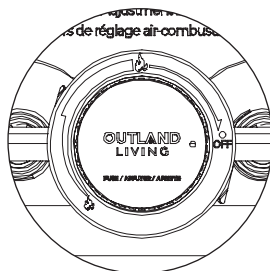
- Ensure the gas hose is not contacting the appliance enclosure and the LP cylinder is stabilized.
- Perform LEAK TEST PRIOR TO IGNITION. Leak test all gas coupling connections. (see section labelled "Leak Test").
- Ensure that the appliance is kept at a minimum distance of 3 feet (36") (0.91 m) from the LP cylinder.
- Use caution, the hose is a potential trip hazard.

NOTE TO USER: Before igniting the unit for the first time, follow steps one through 5 in the below Ignition section.

SECTION 2: IGNITION

STEP 1

Ensure that each appliance valve dial is in the "OFF" position by pushing and turning clockwise until the dial stops.



STEP 2

Connect the LP gas cylinder. See section labeled "Connection".

STEP 3

Extend hose to full length and ensure that the propane tank is as far as safely possible from the appliance and place the tank in the included stabilizer ring.

Ensure the gas hose is not contacting the appliance enclosure and the LP cylinder is stabilized.

Caution: Always ensure the gas valve orifice and burner tube venturi is clear of all debris including spider webs.

STEP 4

*****SLOWLY***** turn cylinder valve to the open position to avoid tripping the excess flow safety device in the gas regulator. For more information about the excess flow safety device see SECTION 5 (page 7).

STEP 5

Leak Test all connections. See section labeled "Leak Test".

SECTION 2: IGNITION (continued)

STEP 6

Fully open the air-fuel adjustment levers. Light each burner individually.

Using a lighter or match, ignite lighter and hold flame slightly above the burner, then open the valve on the appliance slowly by turning (counterclockwise) until the unit ignites.

Both the inner ring and outer ring of the burner should ignite.

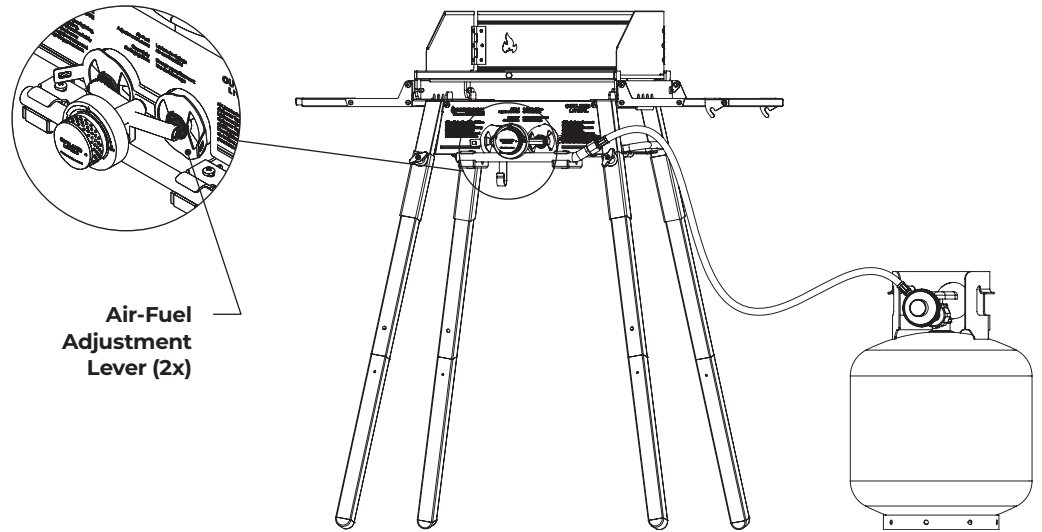
Should the appliance fail to ignite on the first try, promptly repeat the ignition attempt within 5 seconds. If a third attempt fails to ignite the appliance then rotate the knob to the "off" position and wait 5 minutes before attempting to ignite again.

STEP 7

Once the unit is burning normally set the dials to desired flame height.

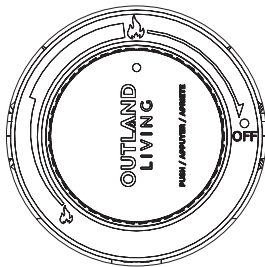
TO ADJUST FLAME COLOUR AND FLAME PERFORMANCE (I.E. TO MAXIMIZE THE BLUE FLAME AND/OR REDUCE FLAME LIFT), MOVE THE AIR-FUEL ADJUSTMENT LEVERS FOUND ON BOTH SIDES OF THE STOVE GAS VALVE.

ATTENTION: A FLAME WITH MORE BLUE COLOUR IS BURNING HOTTER, MORE CLEANLY AND MORE EFFICIENTLY THAN A YELLOW FLAME.

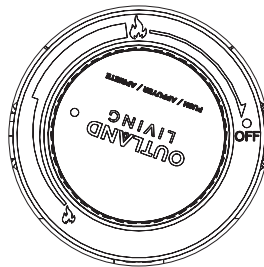


STEP 8: OUTLAND DUOFLAME™ CONTROL

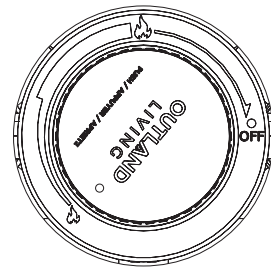
OUTLAND DuoFlame™ technology allows you to control the flame of the inner ring and outer ring, independently. To adjust the flame strength of the inner and outer rings, turn the gas control knob. Turning the gas knob counterclockwise adjusts the flame power of the inner ring and outer ring. A tactile bump at 12 o'clock indicates that both inner and outer rings are at their full power. Turning the gas knob counterclockwise reduces the outer flame without affecting the inner flame. Another tactile bump at 10 o'clock position indicates that the outer flame is completely extinguished, leaving only the inner flame at full power. Adjust the inner flame by turning the gas knob between 10 and 8 o'clock.



Inner and Outer Ring
at Max. Power

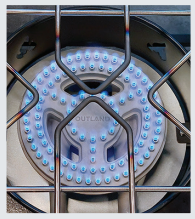


Inner Ring at Max.
Power Outer Ring
Extinguished



Inner Ring at Min.
Power Outer Ring
Extinguished

SECTION 3: PERIODIC INSPECTION OF BURNER FLAMES

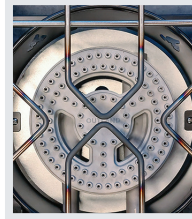


Model may not look exactly as shown

Upon igniting the appliance, visually verify that the burner is indeed burning as demonstrated in the image to the left.

The presence of flames will confirm that the burner is burning.

Periodically check that the burner flame is present during operation by visually inspecting the burner to ensure the presence of flames.



Model may not look exactly as shown

If there are no flames present, as demonstrated in the image to the left, the appliance is likely not burning.

If this is the case, IMMEDIATELY turn the valve to the “off” position if it is not already and repeat the ignition procedure as outlined in Section 2.

SECTION 4: EXTINGUISHING THE APPLIANCE

STEP 1

1. Turn valve on propane cylinder to “CLOSE” position.
2. Wait for flame to visibly extinguish.
3. Turn valve on unit to “OFF” position.

STEP 2

Allow unit to cool for at least five (5) minutes before relighting.

ATTENTION!

Close the lids when the appliance is unused and unattended to prevent rainwater and other debris from plugging burner ignition ports.

SECTION 5: IGNITION TROUBLESHOOTING

APPLIANCE WON'T LIGHT? IGNITION PROBLEM?

IGNITION TROUBLESHOOTING

1. Ensure all appliance valve(s) are OFF and the cylinder valve is closed.
2. Disconnect LP cylinder.
3. Remove the Grill.
4. Inspect the burners for dirt and debris. Ensure the burners and ignition ports are dry. The appliance will be hard to start if the burners and/or ignition ports are wet.
5. Wait 5 minutes for any gas to dissipate.
6. Using a lighter or match, ignite lighter and hold flame slightly above the burner, then open the valve on the appliance slowly by turning (counterclockwise) until the unit ignites.

ATTENTION!

The burner jets/ignition ports may become plugged with water if the stove lids are left open during a rainstorm, or when a pot of liquid boils over. If the ignition ports become plugged with water this restricts gas flow and some burner jets may not function at all and/or any jets still functioning may have a higher than normal yellow, or orange, flame. If the burner does not naturally and quickly clear itself of, or evaporate the water obstruction, follow this remedy:

1. Turn stove OFF.
2. Let stove cool down for 5 minutes.
3. Open grill.
4. Note water obstructions inside the ignition ports (looks like a small bubble inside the jet hole).
5. Clear the burner jets of any water obstruction by blowing air into each ignition port (a straw, or a can of compressed air may be helpful).
6. Confirm all burner jet obstructions are clear.
7. Close grill.
8. Reignite stove normally

SECTION 5: IGNITION TROUBLESHOOTING (continued)

DANGER:

Keep hair tied back and keep head and face away from the appliance during ignition!

WARNING:

Ensure that no parts of your body, clothing, or any other combustible material are above the burner before, during and after ignition.

7. If the problem persists, please call the customer service line at the back of this manual.

GOT A LOW FLAME?

If your OUTLAND appliance experiences low flame, or flame height does not appear to be normally adjusted by the gas knob, it is likely that the gas cylinder is low in fuel, or the excess flow safety device has been tripped in the gas regulator.

NOTE: Elevation and temperature affect the cylinder gas pressure and performance (flame height) of gas appliances. Your geographic location or local weather may be at fault.

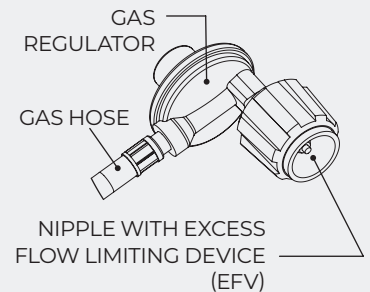
CORRECTIVE ACTION:

- a. Confirm your gas cylinder is NOT empty.
- b. Close the propane cylinder valve.
- c. Open and then close the appliance gas knob valve to release pressure.
- d. Be sure the appliance valve is OFF.
- e. Disconnect the gas hose from the propane cylinder.
- f. Gently tap the gas regulator housing on the ground once or twice.
- g. Reconnect the gas hose to the propane cylinder.
- h. Slowly and fully open the propane cylinder valve.
- i. Perform a Leak Test and follow the Ignition sequence.

TIP: Try tapping the regulator on the ground or hard surface 3 times. Sometimes, this will reset the safety device in the regulator.

WHAT IS AN EXCESS FLOW VALVE? (EFV)

The EFV is a safety mechanism contained within every propane gas regulator. The purpose of the EFV is to restrict the gas supply if too much gas is flowing too quickly through the gas hose. For example this could happen if the gas hose was severed. It is normal that your EFV trips if you open the propane tank valve too quickly or if you leave the gas knob open before lighting, or both.



HOW TO PREVENT LOW FLAME OR EFV TRIPS

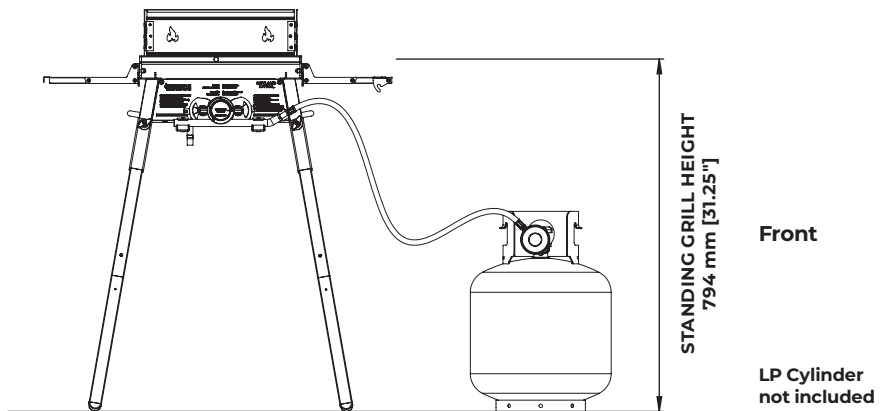
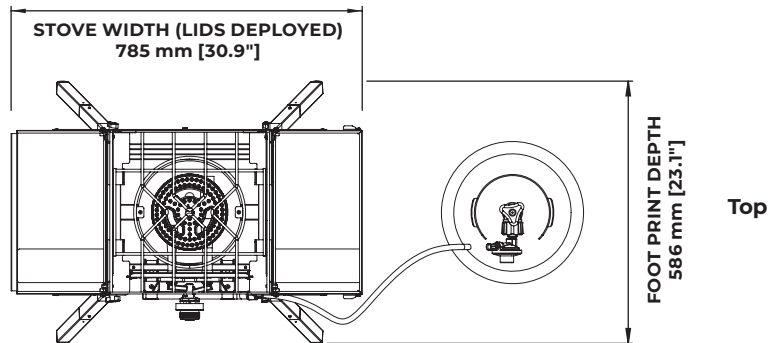
1. Always check that your Outland appliance gas valve/gas knob is closed before opening tank valve.
2. Always open propane tank valve ****SLOWLY****.

If you experience any signs of your propane cylinder 'freezing off' or start to experience lower flames than usual, please simply turn the burner control setting to low for 5–10 minutes, or replace the cylinder with a full one. A humming or whistling noise coming from the regulator during operation of this appliance is normal and does not affect operation.

PLEASE DO NOT RETURN TO STORE – IT'S NOT BROKEN

Questions? Outland support team: **1.888.514.1663**

SECTION 6:
APPLIANCE DIMENSIONS
(Approximate)



APPLIANCE DIMENSIONS
(COMPACT TRANSPORT/STORAGE)

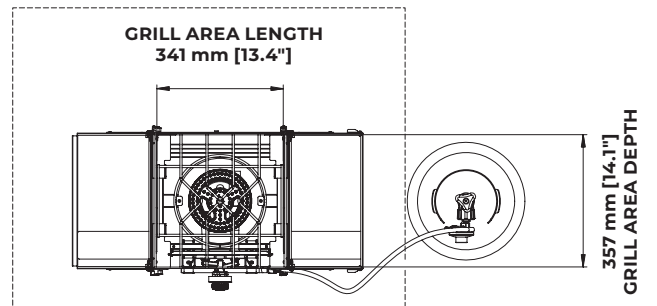
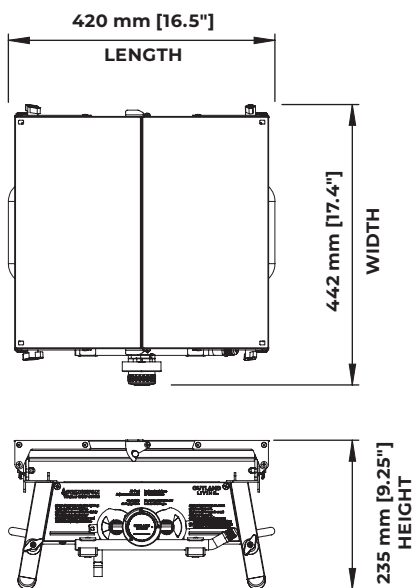


TABLE TOP DEPLOYMENT
Top

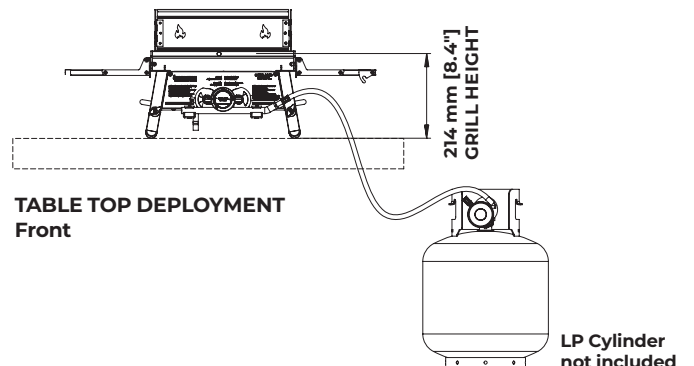


TABLE TOP DEPLOYMENT
Front

SECTION 7: OPERATIONAL SAFETY

DANGER:

- 1) Never leave the appliance unattended while in use. The user must have a clear line of sight to the appliance at all times.
- 2) Keep children and pets away from appliance at all times.
- 3) The use of alcohol, prescription or non-prescription drugs may impair your ability to properly assemble or safely operate the appliance.
- 4) When cooking, the appliance must be on a level, stable non-combustible surface in an area clear of combustible material. An asphalt surface (blacktop) may not be acceptable for this purpose.
- 5) Do not leave the appliance unattended. Keep children and pets away from the appliance at all times.
- 6) Do not place empty cooking vessel on the appliance while in operation. Use caution when placing anything in cooking vessel while the appliance is in operation.
- 7) Do not move the appliance when in use. Allow the cooking vessel to cool to 115°F (45 °C) before moving or storing.
- 8) This appliance is not intended for and should never be used as a heater.
- 9) This appliance will be hot during and after use. Use insulated oven mitts or gloves for protection from hot surfaces or splatter from cooking liquids.
- 10) Never use a cooking vessel larger than the capacity and diameter recommended by the manufacturer (24cm).
- 11) This appliance is not for frying.

LP SAFETY

MINIMUM CLEARANCES:

Maintain proper clearances from any structure or combustible construction. The specific minimum clearances from any structure or combustible materials to the sides and back of the appliance is 10 ft (3.0 m).

Input: 30,000 BTU/h

Burner Input: Min 7,000 BTU/h · Max 30,000 BTU/h

Manifold pressure: 11 inches of water column (wc)

Max Gas Supply Pressure: 250 PSI

Inner Ring Injector Size* 0.73 mm

Outer Ring Injector Size* 1.41 mm

* Injector size marked clearly on the gas valve orifice.

Keep the appliance area clear and free from combustible materials, gasoline and other flammable vapors and liquids.

Keep the fuel supply hose away from any heated surface(s).

WARNING:

- a. Do not store a spare LP-gas cylinder under or near this appliance.
 - b. Never fill the cylinder beyond 80 percent full.
 - c. If the information in “(a)” and “(b)” is not followed exactly, a fire causing death or serious injury may occur.
- Use appliance as purchased; use only with LP (propane) gas and the regulator/valve assembly supplied.
 - Installation must conform with local codes, or in the absence of local codes, with either the National Fuel Gas Code, ANSI Z223.1/ NFPA 54, *Storage and Handling of Liquefied Petroleum Gases, ANSI/NFPA 58*; or Natural Gas and Propane Installation Code, CSA B149.1; or Propane Storage and Handling Code, B149.2; or the Standard for Recreational Vehicles, ANSI A 119.2/NFPA 1192; and CSA Z240 RV Series, Recreational Vehicle Code, as applicable.
 - Appliance is not for use in or on recreational vehicles and/or boats.
 - This appliance is safety certified for use in the United States and/or Canada only. Do not modify for use in any other location. Modification will result in a safety hazard.
 - Read and follow all of the messages found throughout the manual.

SECTION 7: OPERATIONAL SAFETY (continued)

WARNING:

- i. Do not use this appliance under overhead combustible surfaces.
- ii. For installation on (or over) a level, stable, non-combustible surface only.
- iii. Do not use this appliance on a slope ground.
- iv. Do not use appliance on or under any apartment or condominium balcony or deck.
- v. This appliance shall be used only outdoors in a well-ventilated space and shall not be used in a building, garage or any other enclosed area.
- vi. Never use this appliance as a heater.
- vii. If this appliance is not in use, the gas must be turned off at the supply cylinder.
- viii. Always allow the appliance to cool down before covering with an appliance cover.
- ix. Indoor storage of this appliance is permissible only if the cylinder is disconnected and removed from the appliance.
- x. Cylinders must be stored outdoors in a well-ventilated area out of the reach of children.
- xi. Disconnected cylinders must have threaded valve plugs tightly installed and must not be stored in a building, garage or any other enclosed area.
- xii. The gas pressure regulator provided with this appliance must be used, and must be the same model as supplied with the unit.
- xiii. Replacement parts and a list of such parts are available from FMI Brands Inc. through the contact information provided on the last page of this Manual.

WARNING:

Please ensure that all adults and children which use or are near a unit in use are aware of the hazard of high-surface temperatures present on the unit during use and should use caution and stay away to avoid burns or clothing ignition.

Carefully supervise young children in the area of this appliance. Clothing or other flammable materials should not be hung from the appliance or placed on or near the appliance. Any guard or other protective device removed for servicing the appliance must be replaced prior to operating the appliance.

Installation and repair should be done by a qualified service person. The appliance should be inspected before use and at least annually by a qualified service person. More frequent cleaning may be required as necessary. It is imperative that control compartment, burners and circulating air passageways of the appliance be kept clean.

LP CYLINDER

All LP cylinders to be used with this appliance must be:

- a. Constructed and marked in accordance with the specifications for LP-gas cylinders of the U.S. Department of Transportation (DOT) or for Canada, Standard, CAN/CSA B339, Cylinders, Spheres and Tubes for the Transportation of Dangerous Goods.
- b. Provided with a UL listed Overfill Protection Device (OPD). This OPD safety feature is identified by a unique triangular hand wheel. Use only LP Tanks equipped with this type of valve.
- c. Provided with a cylinder connection device compatible with the connection for outdoor cooking appliances.
- d. Only a 20 lb. (9 kg) LP gas cylinder is to be used for this appliance, approximately 18" (46 cm) high & 12" (30 cm) diameter.
- e. LP cylinder must be arranged for vapour withdrawal and include a collar to protect the LP cylinder valve. Always keep LP cylinders in upright position during use, transit or storage.

SECTION 7: OPERATIONAL SAFETY (continued)

WARNING:

The LP Hose is a trip hazard! Ensure that gas hose is placed in an area where it is unlikely to be tripped over (such as pathways or trails) or subject to other accidental damage.

LP CYLINDER REMOVAL, TRANSPORT AND STORAGE

- Turn OFF all control knobs and LP cylinder valve. Disconnect gas regulator from cylinder. Install safety cap onto LP tank valve. Always use cap and strap supplied with LP cylinder valve.
- A disconnected LP cylinder in storage or being transported must have a safety cap installed. Failure to use safety cap as directed may result in serious personal injury and/or property damage.
- Place dust cap on cylinder valve outlet whenever the cylinder is not in use. Only install the type of dust cap on the cylinder valve outlet that is provided with the cylinder valve. Other types of caps or plugs may result in leakage of propane.
- Do not store an LP tank in enclosed spaces such as a carport, garage, porch, covered patio or other building. Never leave an LP tank inside a vehicle which may become overheated by the sun. Do not store an LP tank in an area where children play.

CONNECTION

1. Ensure the LP cylinder valve is CLOSED and the appliance gas valve is “off”.
2. Securely attach regulator (large end of hose) to your propane cylinder. Extend hose to full length and ensure that the propane tank is as far as safely possible from the appliance.
 - a) Do not use tools. **Hand tighten only.**
 - b) Center the nipple in the cylinder valve and hold in place.
 - c) Using the other hand, turn the hand wheel clockwise until there is a positive stop.

CAUTION:

When making the connection, hold the regulator in a straight line with the cylinder valve, so as not to cross thread the connection.

3. Leak Test all connections. See section labelled “Leak Test”.

GAS HOSE INSPECTION

Clean and inspect the hose before each use of the appliance.

Attention: If there is evidence of abrasion, wear, cuts or leaks, the hose must be replaced prior to the appliance being put into operation.

Only use a replacement hose by OUTLAND Living.

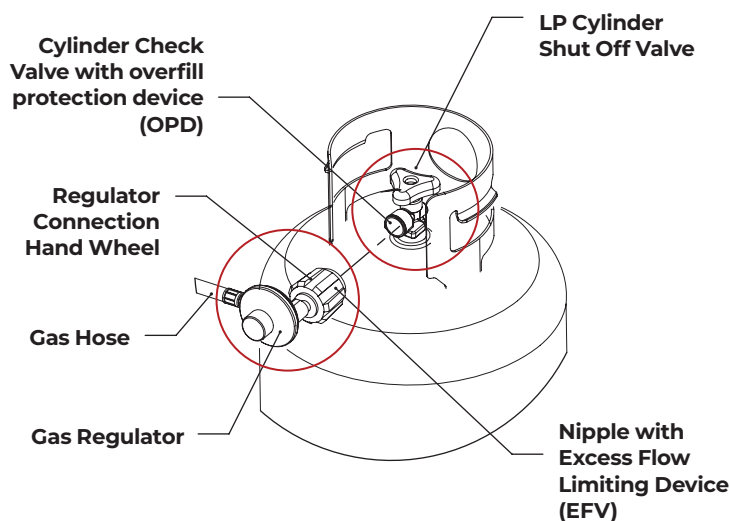
SECTION 7: OPERATIONAL SAFETY (continued)

LEAK TEST

WARNING:

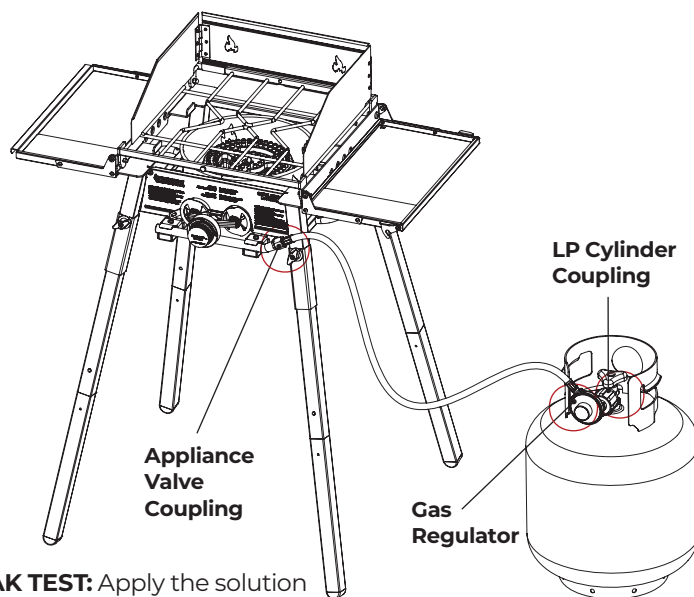
DO NOT USE OR PERMIT SOURCES OF IGNITION IN THE AREA WHILE DOING THE LEAK TEST. THIS INCLUDES SMOKING.

IMPORTANT: Leak testing should be done once per year or whenever the LP gas cylinder or any other gas system part is taken apart, serviced or replaced, whichever is more frequent.



1. Ensure the LP cylinder valve is CLOSED and the appliance gas valves are "OFF".
2. Ensure all gas system coupling joints are tight and properly attached.
3. Prepare a leak testing solution of half liquid detergent and half water.

4. **CAUTION: ***SLOWLY***** turn cylinder valve to the open position to avoid tripping the excess flow safety device in the gas regulator. For more information about the excess flow safety device see SECTION 5 (**What is an Excess Flow Safety Valve? (EFV).**)
5. Apply the solution to the LP gas delivery system at points as shown in illustration:
 - a) If parts of the fitting begin to produce bubbles, spray liquid, or if you smell liquid propane gas, immediately close the valve on the tank.
 - b) Wait 5 minutes for any gas to dissipate.
 - c) After waiting for 5 minutes, the leak(s) must be stopped by tightening the loose joints, if possible, or by replacing the faulty part(s) with the part(s) recommended by the appliance manufacturer.



LEAK TEST: Apply the solution to the LP gas delivery system at points:

1. Appliance Valve Coupling
2. Gas Regulator
3. LP Cylinder Coupling

SECTION 7: OPERATIONAL SAFETY (continued)

- d) If no adverse reaction is observed and the connections all seem fine then move to the ignition sequence.
6. If the leak persists, ensure the cylinder valve is closed, disconnect the regulator hose and take the unit to a certified propane technician for consultation.

IMPORTANT: Call OUTLAND for quick delivery of replacement parts. **DO NOT RETURN THE APPLIANCE TO THE RETAILER.**

WARNING:

If the information in this manual is not followed exactly, a fire or explosion may result causing property damage, personal injury or loss of life.

THE APPLIANCE IS NOT TO BE USED UNTIL ANY LEAK IS CORRECTED.

A gas appliance repairman or LP gas dealer should be called if attempts to stop the leak(s) are unsuccessful and, in such case, the LP gas supply must be shut off at the cylinder valve or the cylinder must be removed from the appliance until the leak(s) is corrected.

SECTION 8: APPLIANCE MAINTENANCE

Your Outland appliance requires periodic maintenance to keep it in good running order. Follow the steps below to ensure your appliance will provide you with the best possible performance:

1. Keep your appliance out of the rain and store it in a dry place.
2. If the appliance has been left out in the rain uncovered tilt the appliance to drain any water accumulated in the burners and/or burner compartment prior to ignition.
3. Should any part of this appliance (including the burner) become soiled or dirty, wipe lightly with a damp cloth.
4. Ensure that you clean the top of your Outland appliance after every use to keep it looking GREAT.
5. Simply use warm soap water to wipe down your appliance to keep it clean.
6. Do not use flammable or corrosive cleaning products on or near this unit.
7. Do not use abrasive cleaners.

GUIDELINES

- Keep appliance area clear and free from combustible materials, gasoline and other flammable vapors and liquids.
- Do not obstruct the flow of combustion and ventilation air.
- Keep the ventilation opening(s) of the cylinder enclosure free and clear from debris.
- The stove must be cool and the LP cylinder disconnected BEFORE cleaning or inspection and maintenance is performed.

SECTION 8: APPLIANCE MAINTENANCE (continued)

BURNER & ORIFICE INSPECTION

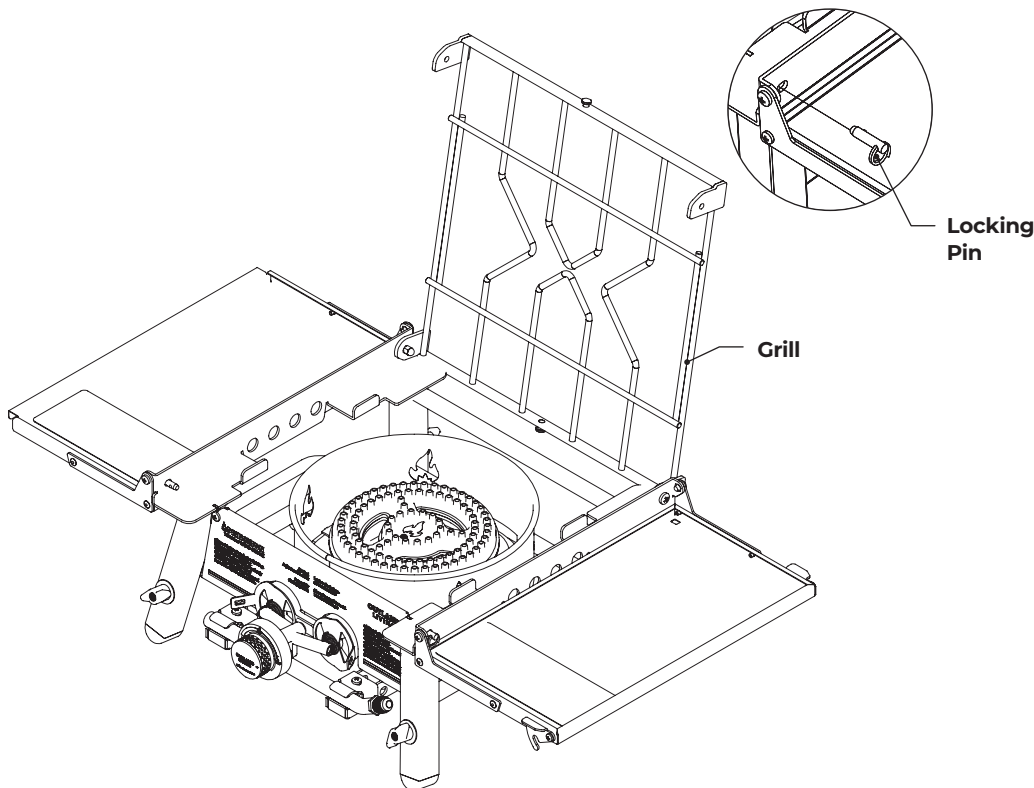
Visually inspect the cast aluminum burners prior to each use. The burners are located in the stove inner compartment.

TO ACCESS AND CLEAN THE INTERIOR STOVE COMPARTMENT

1. Allow stove to cool.
2. Ensure all appliance valve(s) are off and the cylinder valve is closed.
3. Disconnect the gas cylinder.
4. Remove grill locking pins.
5. Lift grill.
6. Clean the stove inner compartment area.
7. Clean any plugged gas jet orifices with a small pin or paperclip.
8. Close the grill. Ensure the (2x) grill locking pins are fully seated.



Model may not look exactly as shown



! ATTENTION:
WHEN CLOSING GRILL ENSURE BOTH 2X GRILL LOCKING PINS ARE FULLY SEATED. THE BALL BEARING ENGAGEMENT SHOULD BE VISIBLE ON THE OTHER SIDE.

! WARNING:
Never perform inspections, cleaning or maintenance when the appliance is hot! The stove must be cool and the LP cylinder disconnected BEFORE any cleaning or inspection and maintenance is performed.

SECTION 8: APPLIANCE MAINTENANCE (continued)

BURNER VENTURI INSPECTION

Inspect and clean the cast aluminum burner venturi tubes often and especially if the stove has been sitting unused for a period of time.

1. Fully open the air-fuel adjustment levers.



Model may not look exactly as shown

2. Use a flashlight to look inside the venturi tubes.
3. Use a long flexible pipe cleaner, or long small utensil to clean out any debris or nest material inside the venturi tubes. An air tool to blow out the burner is helpful.

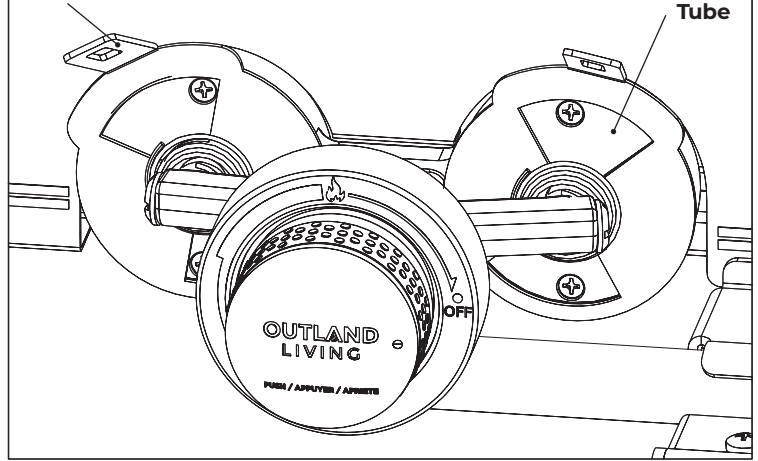


ATTENTION:

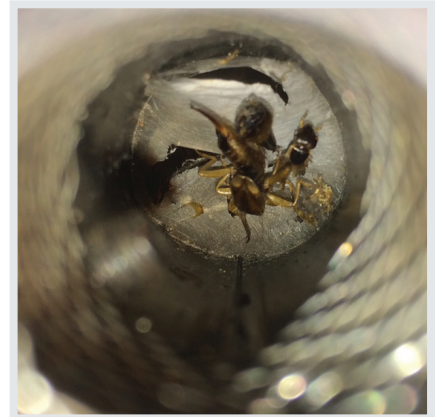
Keep debris and bug nests out of the burner tube. Fully close the air-fuel adjustment levers when appliance is not in use.

Air-Fuel Adjustment Levers

Burner Venturi Tube



WARNING: Small critters like spiders and earwigs can quickly build nests inside the burner venturi tube which can obstruct gas flow and impact the flame height and heat performance of your appliance. More seriously, a nest or blockage of the venturi tube can cause a back flame event, damage to your appliance, or even extreme operator injuries!



WARNING NOTES:

- Attention! The lids are not load bearing surfaces. Do not place heavy objects! The lids may be damaged, or the stove may tip, causing harm.
- NEVER SIT ON SIDE TABLES.
- The formulae for calculating fuel consumption (gas cooking time) is as follows:
 - Each burner is rated to a maximum of 30,000 BTU/h
 - A full 20lb (9 kg) LP cylinder has approximately 430,000 BTU capacity
 - Y = QTY of burners in operation
 - $430,000 \text{ BTU} / Y(30,000 \text{ BTU/h}) = \text{gas cooking time (hrs)/cylinder}$e.g. If all (2x) burners are in continuous operation at maximum output we would expect 14.3 hrs of cooking time.
Calculate: $[430,000 \text{ BTU} / 30,000 \text{ BTU/h} = 14.3 \text{ hrs} / 20 \text{ lb LP cylinder}]$
- Note that fuel consumption (gas cooking time) can be extended by operating fewer valves and/or operating the valves at lower than maximum output.
- This appliance is NOT a toy.
- Children should be supervised at all times when using this unit without exception.
- Do not place any objects inside the burner component.
- Remove any debris and leaves which may have accumulated in your appliance before igniting.
- Solid fuels shall not be burned in this appliance. Do not add wood or any other materials to the fire. It is designed to safely combust propane only.
- Do not connect to a remote gas supply. Consult a certified gas technician.
- Do not use this appliance if any part has been under water. Immediately call a qualified service technician to inspect the appliance and to replace any part of the control system and any gas control which has been under water.
- Do not leave this appliance in the rain.
- Always inspect and clear all valve and gas orifices of any foreign debris including spider webs prior to lighting.
- Fully close the air-fuel adjustment levers when appliance is not in use.



NOTES

1 YEAR LIMITED WARRANTY Customers in Canada and USA

All components are warranted by the manufacturer for a period of 1 year after date of purchase by the original owner against defects in materials and workmanship under normal use.

This warranty does NOT cover normal wear and weathering, assembly and/or maintenance OR use in a commercial application.

At FMI Brands' sole discretion, products under warranty will be repaired and/or replaced at no charge to the customer.

Any returns sent back to FMI Brands must be sent via prepaid freight and in the original retail packaging.

Please register your OUTLAND Living product for proof of purchase and warranty at

<https://outlandliving.com/register-products/>

For more warranty information and details please contact FMI Brands Inc. at info@outlandliving.com



STOP:

Do not return this product to the store.

If you need help or parts, call the Outland Hotline: **1-888-514-1663**

Get help for:

Missing/damaged parts • Assembly • Troubleshooting • Warranty Assistance • Product Information

**FOR REPLACEMENT PARTS AND ACCESSORIES PLEASE VISIT
WWW.OUTLANDLIVING.COM**

The owner's manual is available as a free download from www.outlandliving.com

Should you have any questions or comments regarding this appliance, please do not hesitate to contact FMI Brands Inc. at **(888) 514-1663** or E-Mail to info@outlandliving.com.