



Pacmasta[®]

SEMI-AUTO Open Frame Strapping Machine

Pacmasta TMS-3000F

This is the most affordable, portable, and compact semi-auto strapping machine.

It is designed for general purpose and can meet your various applications. With thousands of machines exported to the world every year, the quality of TMS-3000F is highly proven.

That's why we call this machine Mr. Reliable.



Simple Operation
for efficient strapping



Single motor operation



Freely Movable on Caster
Wheels. Wherever your
packing work is done

SEMI-AUTO Strapping Machine

Pacmasta TMS-3000F

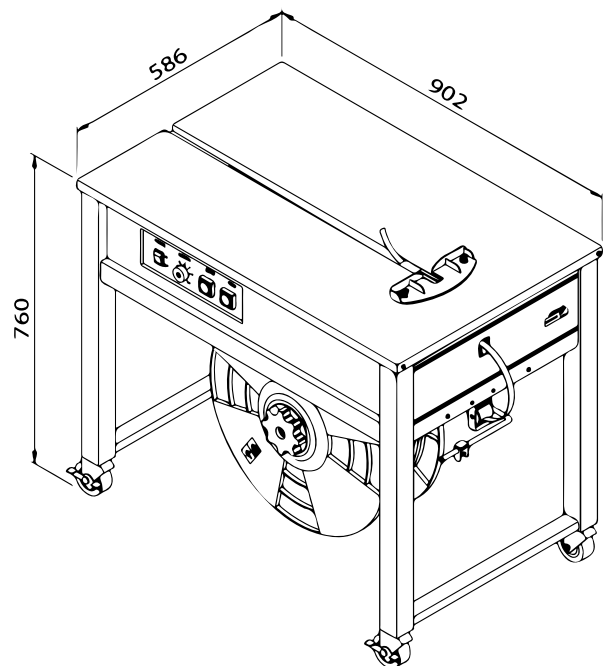
Pacmasta[®]

STANDARD FEATURES

- **Portability:** Compact and light-weight enables easy transportation and only requires a small space for installation.
- **A Single Motor** powers the machine. Stable operation is assured even if the voltage drops.
- **Easy adjustment.** Adjustment for use of any strap in a width up to 15.5 mm can be made by slackening off only four screws.
- **No strap damage.** The feed system, strap tensioning device and cams are so designed as to eliminate splitting, bending and scratching.
- **Applicable to Any Shape.** The width of the slide table is small, allowing for simple bundling of pipes and irregular shaped objects. Heavy-duty body with powder coated finish
- **Simple Operation.** The free end of the strap appears on the table which can be placed around the article by hand for strapping.
- **Easy Maintenance Replacement** of the PC Board is easy. This machine uses an instant heating plate, enabling fast heating. Also, this machine is equipped with two useful manual switches that help clear strap jams and aids in the event of failure of any micro switches.



SPECIFICATIONS



TECHNICAL DATA

STRAPPING SPEED	2.5 sec/strap
DIMENSIONS	910mm(L) x 582mm(W) x 770mm(H)
NET WEIGHT	85kg
MAX TENSION	45kg
STRAP WIDTH	6, 9, 12, 15.5mm
POWER	AC230V(50Hz), single phase