

620

Air-Cooled, 4-Stroke, OHV, Gasoline Engine

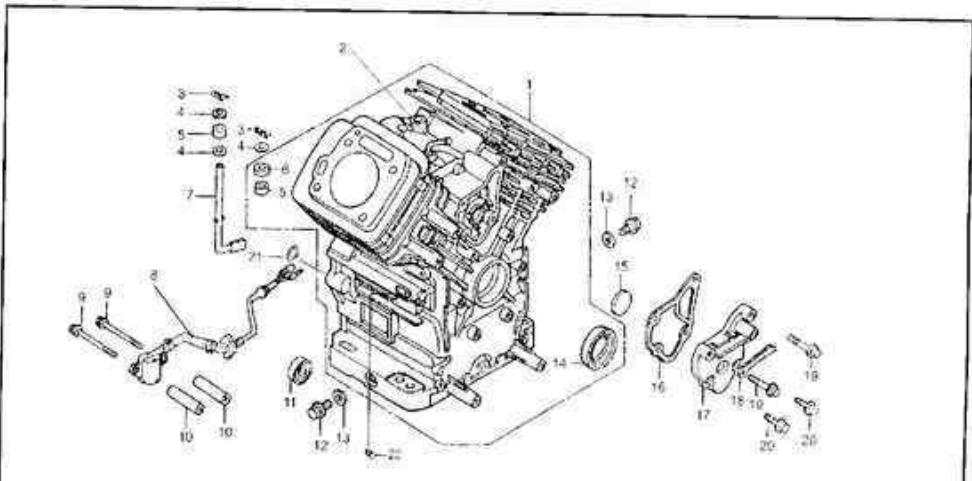


OWNER'S MAUNAL

CONTENTS

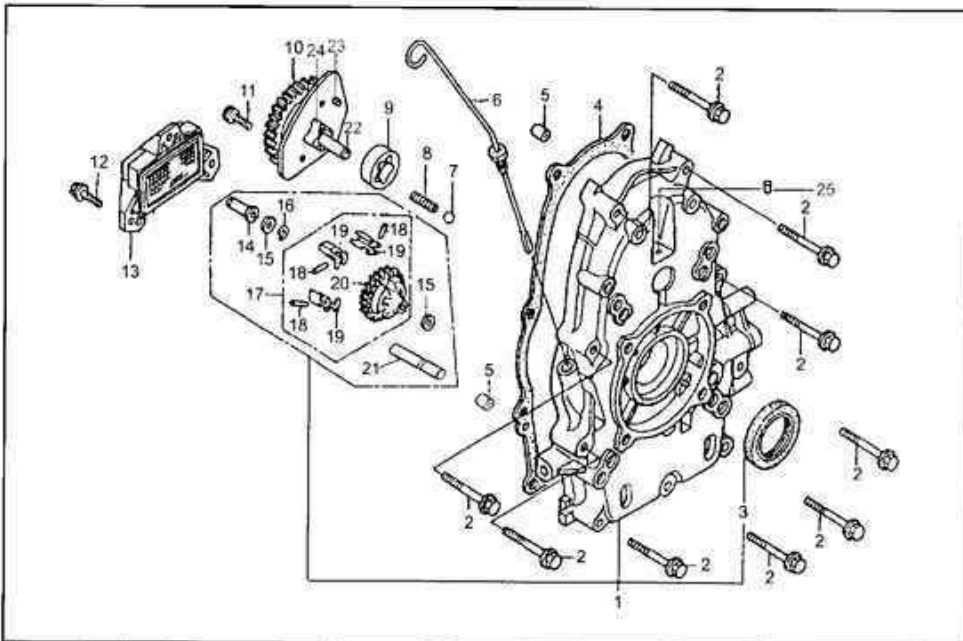
1. Crankcase Assembly.....	2
2. Crankcase Cover Assembly.....	3
3. Crankshaft, Piston And Connecting Rod Assembly.....	5
4. Cylinder Head Assembly.....	6
5. Combination of Camshaft & Valve Rocker.....	8
6. Fan Cover.....	10
7. Fuel System Assembly.....	11
8. Air Cleaner Assembly.....	13
9. Regulating Control Assembly.....	14
10. Muffler Assembly.....	15
11. Flywheel Assembly.....	16
12. Electric System.....	17
13. Lube Oil System.....	19
14. Easy Destroyed Parts of Engine.....	20

1. Crankcase Assembly



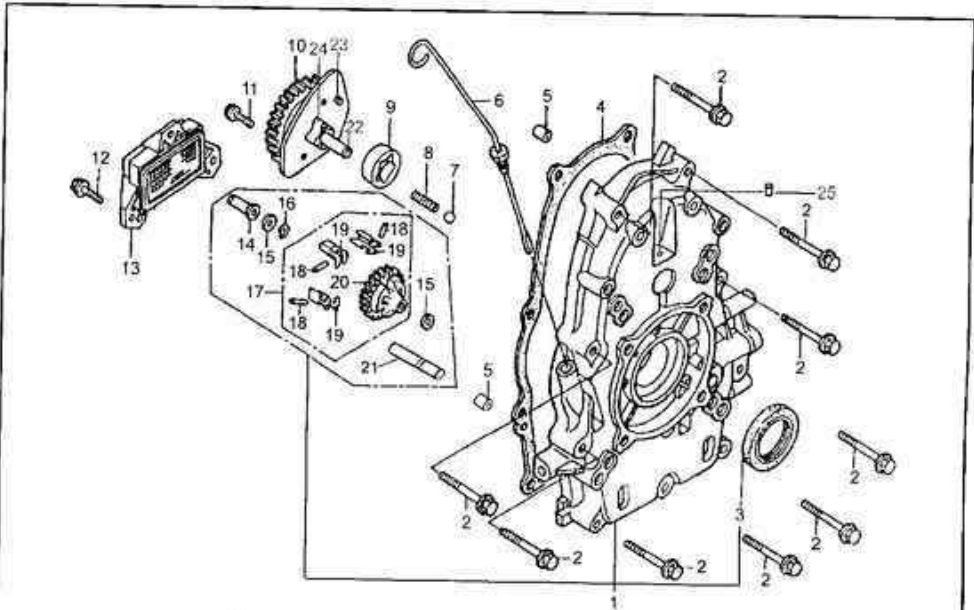
NO.	CODE	DESCRIPTION	QUANTITIES
1	620-01001	Crankcase	1
2	620-01006	Exhaust Pipe Joint	1
3	24001003	Lock Pin	2
4	24001004	Plain Washer	3
5	ZCB0810	Needle Bearing	2
6	YF081404	Oil Seal	1
7	620-01002	Governor Arm Shaft	1
8	24012005	Oil Level Switch Assembly	1
9	LSB06075	Flange Bolt M6× 75	2
10	620-01007	Filter Setting Collar	2
11	ZCA6003DU	Radial Ball Bearing, 6003DU	1
12	LSB14010	Drain Plug Bolt	2
13	620-01008	Drain Plug Washer	2
14	YF385808	Oil Seal	1
15	620-01005	Breather Valve	1
16	620-01004	Breather Cover Packing	1
17	620-01003	Breather Cover	1
18	620-12002	Cord Clammer	1
19	LSB06030	Flange Bolt M6× 30	2
20	LSB06012	Flange Bolt M6× 12	2
21	620-02002	O-Ring	1
22	7001019	Plug	1

2. Crankcase Cover Assembly



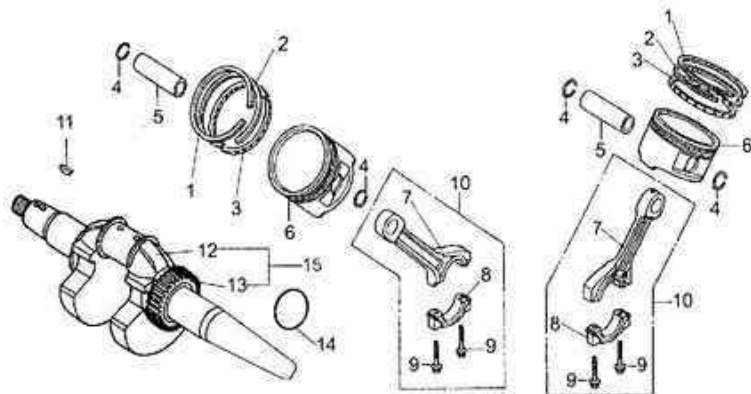
NO.	CODE	DESCRIPTION	QUANTITIES
1	620-02001	Crankcase Cover Assembly	1
2	LSB08050	Flange Bolt M8× 50	9
3	YF385808	Oil Seal	1
4	620-02003	Crankcase Cover Gasket	1
5	XA0814	Dowel Pin	2
6	620-01100	Oil Level Gauge	1
7	620-02005	Steel Ball	1
8	620-02006	Relief Valve Spring	1
9	620-02404	Oil Pump Outer Rotor	1
10	620-02402	Oil Pump Cover Assembly	1
11	LSE06012	Socket Bolt M5× 12	2
12	LSB06020	Flange Bolt M6× 20	3
13	620-02100	Oil Filter Assembly	1
14	620-02004	Governor Slider	1
15	16001004	Washer	2
16	16001007	Governor Shaft Clip	1
17	620-02200	Governor Assembly	1

2. Crankcase Cover Assembly



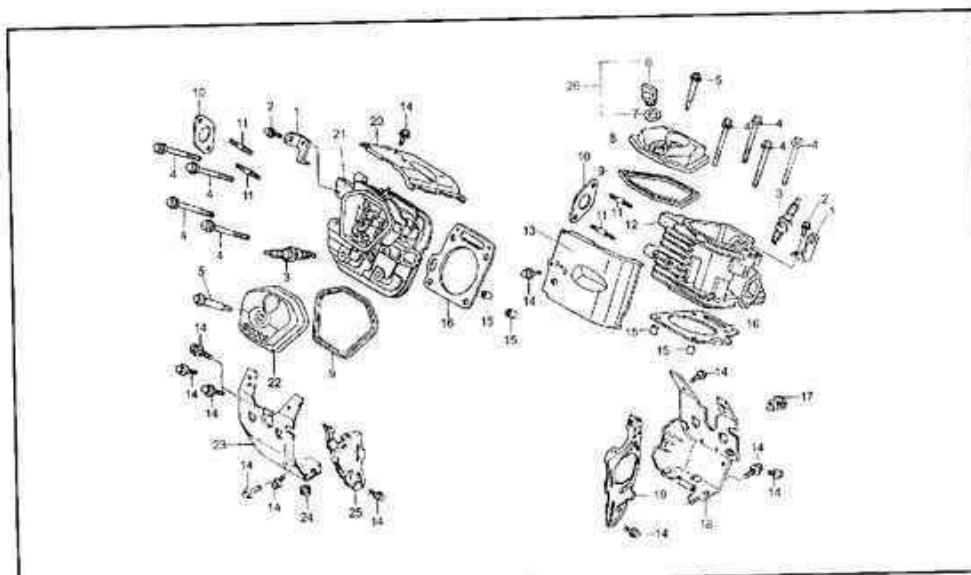
NO.	CODE	DESCRIPTION	QUANTITIES
18	620-02203	Governor Weight Pin	3
19	620-02202	Governor Weight	3
20	620-02201	Governor Gear	1
21	620-02301	Governor Shaft	1
22	620-02403	Oil Pump Shaft	1
23	620-02405	Pin	1
24	620-02404	Oil Pump Inner Rotor	1
25	7001021	Plug	1

3. Crankshaft, Piston & Connecting Rod Assembly



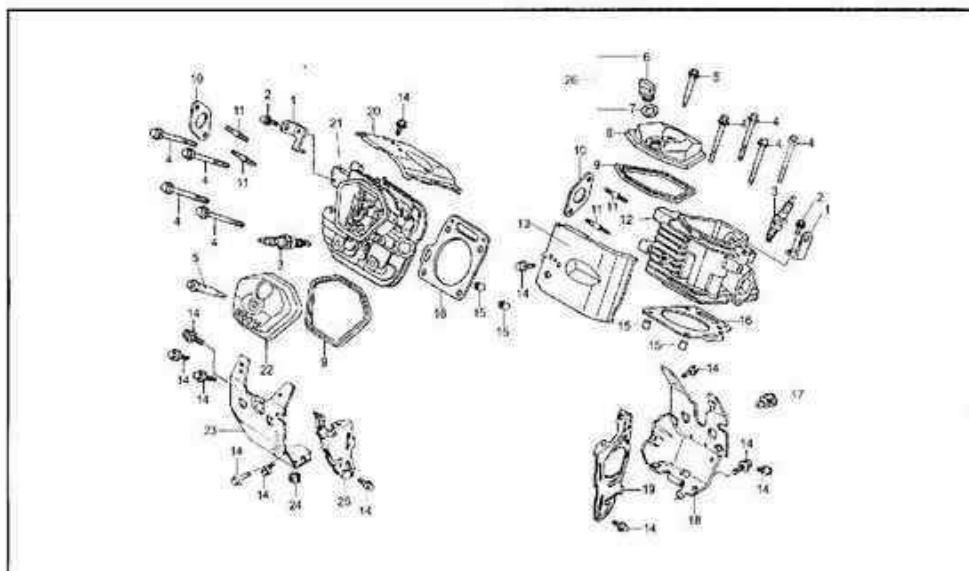
NO.	CODE	DESCRIPTION	QUANTITIES
1	620-03004	First Piston Ring	2
2	620-03005	Second Piston Ring	2
3	620-03300	Oil Ring Assembly	2
4	24003005	Clip	4
5	620-03003	Piston Pin	2
6	620-03002	Piston	2
7	620-03202	Rod Body	2
8	620-03201	Rod Cover	2
9	620-03203	Rod Bolt	4
10	620-03200	Connecting Rod Assembly	2
11	YJA0418	Woodruff Key	1
12	620-03101	Crankshaft	1
13	620-03102	Timing Gear	1
14	620-03001	Ring	1
15	620-03100	Crankshaft Assembly	1

4. Cylinder Head Assembly



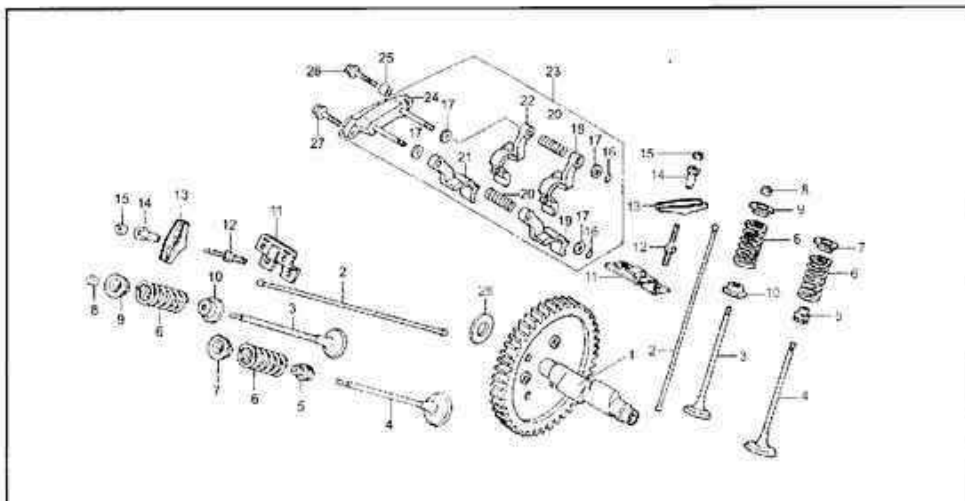
NO.	CODE	DESCRIPTION	QUANTITIES
1	620-04005	Engine Hanger	2
2	LSB08020	Flange Bolt M8x 20	2
3	620-04002	Spark Plug F6RTC	2
4	LSB10080	Flange Bolt M10x 80	8
5	24004006	Flange Bolt Assembly	2
6	620-04301	Oil Filler Cap	1
7	620-04302	Oil Filler Cap Packing	1
8	620-04004	Head Filler Cover	1
9	24004002	Head Cover Packing	2
10	24010001	EX. Pipe Gasket	2
11	LZA08024	Stud Bolt	4
12	620-04100	Left Cylinder Head	1
13	620-04006	Left Head Shroud	1
14	LSB06008	Flange Bolt M6x 8	16
15	XA1220	Dowel Pin	4
16	620-04001	Cylinder Head Gasket	2
17	140-12008	Wire Harness Clip	1
18	620-04007	Left Shroud	1
19	620-04008	Left Side Plate	1

4. Cylinder Head Assembly



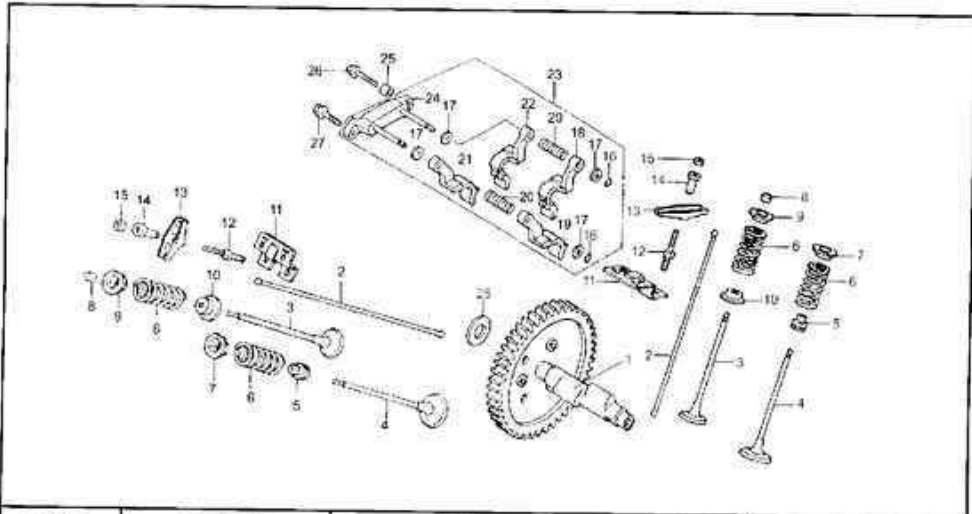
NO.	CODE	DESCRIPTION	QUANTITIES
20	620-04009	Right Head Shroud	1
21	620-04200	Right Cylinder Head	1
22	620-04003	Head Cover	1
23	620-04400	Right Shroud	1
24	620-04011	Fender Cushion Rubber	1
25	620-04010	Right Side Plate	1
26	620-04300	Oil Filler Cap Assembly	1

5. Combination Of Camshaft & Rocker



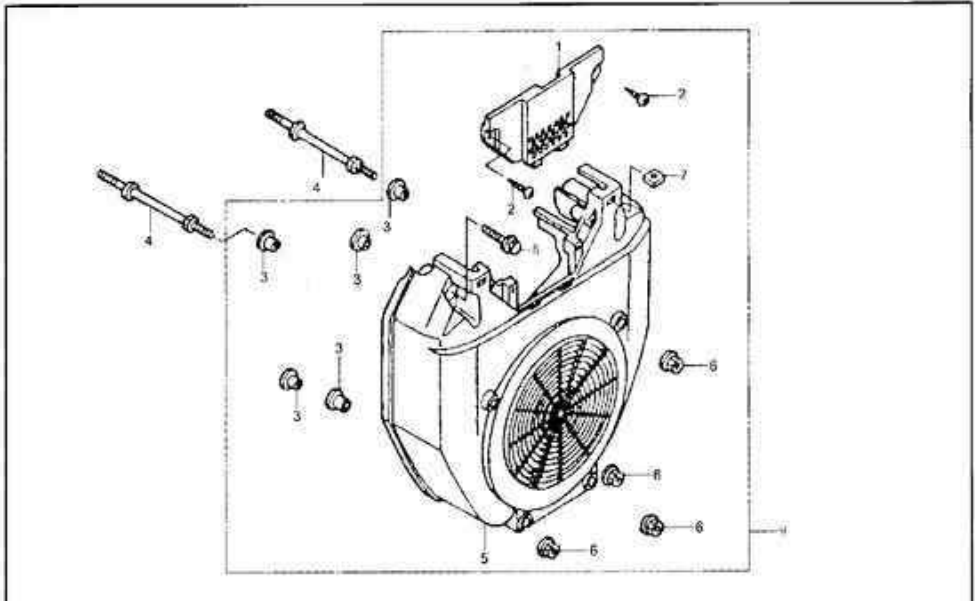
NO.	CODE	DESCRIPTION	QUANTITIES
1	620-05100	Camshaft Assembly	1
2	620-05001	Push Rod	4
3	34005005	Exhaust Valve	2
4	34005004	Intake Valve	2
5	35005011	Valve Stem Seal	2
6	24005006	Valve Spring	4
7	24005007	Intake Valve Spring Retainer	2
8	24005009	Valve Rotator	2
9	24005008	Exhaust Valve Spring Retainer	2
10	24005010	Valve Spring Retainer	2
11	24005003	Push Rod Guide Plate	2
12	16005203	Pivot Bolt	4
13	24005201	Valve Rocker Arm	4
14	16005202	Rocker Arm Pivot	4
15	16005204	Pivot Adjusting Nut	4
16	16001007	Governor Holder Clip	2
17	PDA06	Plain Washer	4
18	620-05203	Right Intake Valve Lifter	1
19	620-05204	Left Intake Valve Lifter	1
20	620-05206	Valve Lifter Spring	2
21	620-05202	Left Exhaust Valve Lifter	1

5. Combination Of Camshaft & Rocker



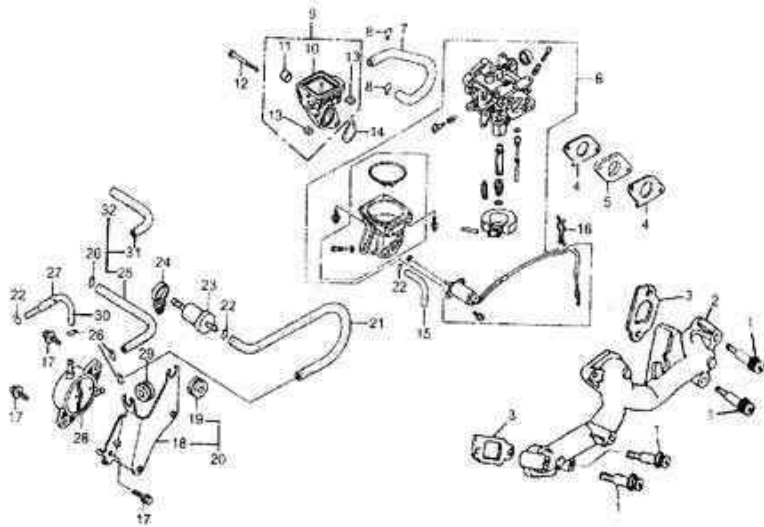
NO.	CODE	DESCRIPTION	QUANTITIES
22	620-05201	Right Exhaust Valve Lifter	1
23	620-05200	Valve Lifter Assembly	1
24	620-05208	Valve Lifter Shaft Comp	1
25	XA0812	Dowel Pin	1
26	LSB06025	Flange Bolt M6× 25	1
27	LSB05016	Flange Bolt M5× 16	1
28	620-05101	Washer	1

6.Fan Cover



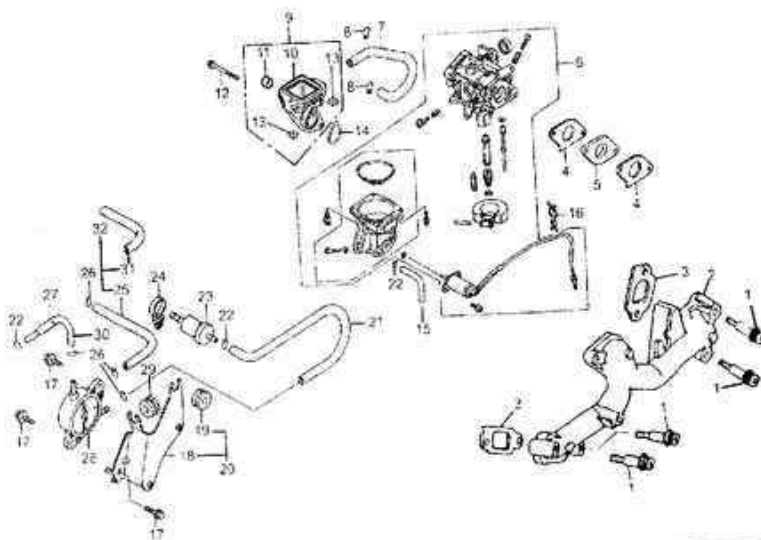
NO.	CODE	DESCRIPTION	QUANTITIES
1	620-06103	Fuel Pump Cover	1
2	LDA05016	Tapping Screw M5× 16	2
3	620-06102	Tailight Collar	6
4	620-06001	Stud Bolt	2
5	620-06101A	Fan Cover	1
6	LMC06	Flange Nut M6	4
7	620-06104	Square Nut	2
8	LSB06020	Flange Bolt M6× 20	2
9	620-06100	Fan Cover Assembly	1

7. Fuel System Assembly



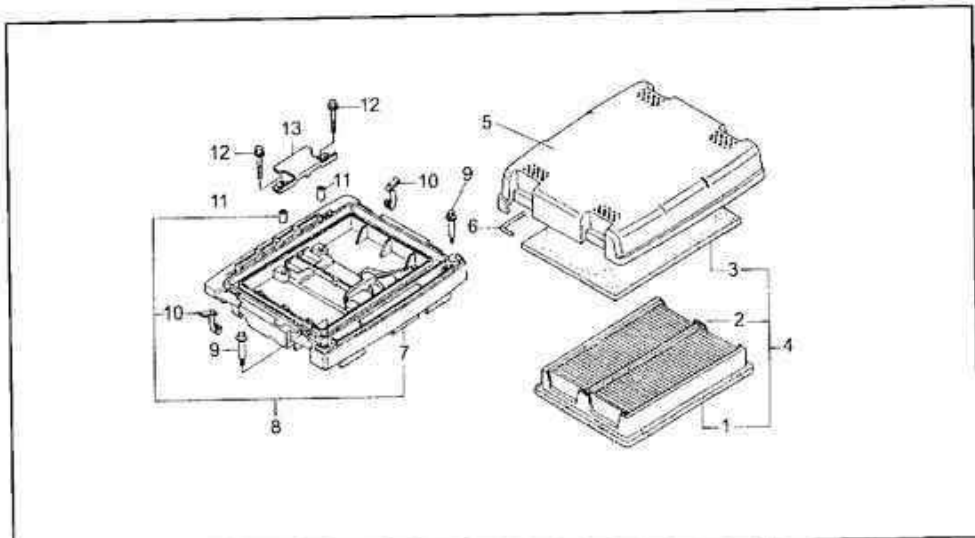
NO.	CODE	DESCRIPTION	QUANTITIES
1	LSB08045	Flange Bolt M8× 45	4
2	620-07011	Intake Manifold	1
3	620-07012	Intake Manifold Gasket	2
4	620-07009	Carburetor Gasket	2
5	620-07010	Carburetor Block	1
6	620-07500	Carburetor Assembly	1
7	620-07013	Breather Tube	1
8	620-07014	Breather Tube Clip	2
9	620-07400	Air Cleaner Elbow Assembly	1
10	620-07401	Air Cleaner Elbow	1
11	620-07402	Collar	2
12	LSB06120	Flange Bolt M6× 120	2
13	620-07403	Insert Nut	2
14	620-07008	Air Cleaner Gasket	1
15	620-07007	Drain Tube	1
16	620-07001	Purse Lock Clip	1
17	LSB06012	Flange Bolt M6× 12	3
18	620-07201	Fuel Pump Stay	1

7. Fuel System Assembly



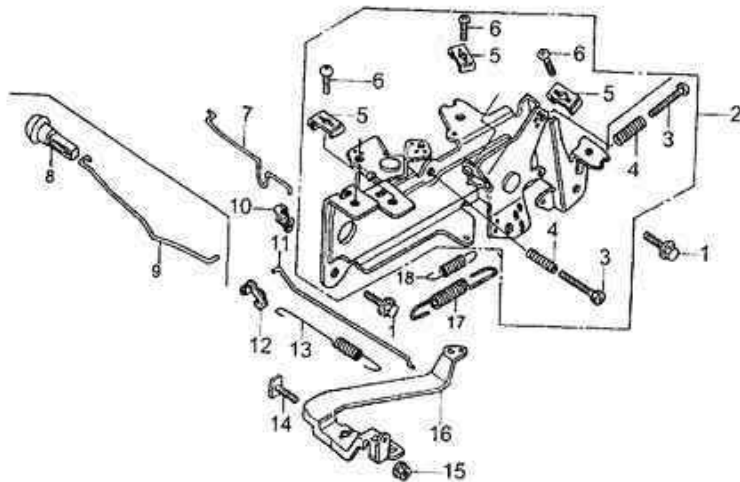
NO.	CODE	DESCRIPTION	QUANTITIES
19	620-07202	Pump Stay Grommet	1
20	620-07200	Fuel Pump Stay Assembly	1
21	620-07004	Fuel Tube	1
22	16011006	Tube Clip	3
23	620-07002	Fuel Strainer	1
24	620-07006	Wire Harness Clip	1
25	620-07301	Diaphragm Tube	1
26	140-12006	Clip	4
27	620-07101	Fuel Tube Protector	1
28	620-07005	Fuel Pump Assembly	1
29	620-07003	Reserve Tank Grommet	1
30	620-07100	Fuel Tube Assembly	1
31	620-07302	Tube Protector	1
32	620-07300	Diaphragm Tube Assembly	1

8. Air Cleaner Assembly



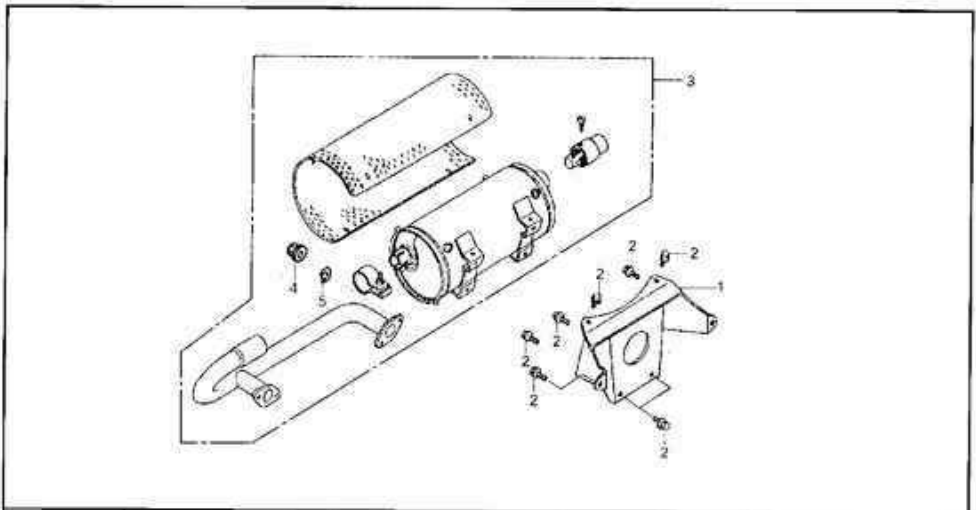
NO.	CODE	DESCRIPTION	QUANTITIES
1	620-08103	Air Cleaner Element	1
2	620-08102	Paper Filter Element	1
3	620-08101	Foam Filter Element	1
4	620-08100	Air Cleaner Element Assembly	1
5	620-08001	Air Cleaner Cover	1
6	620-08002	Air Cleaner Seal	1
7	620-08201	Air Cleaner Case	1
8	620-08200	Air Cleaner Case Assembly	1
9	LSB05030	Flange Bolt M5× 30	2
10	620-08202	Air Cleaner Clip	4
11	620-08203	Air Cleaner Collar	2
12	LSB06030	Flange Bolt M6× 30	2
13	620-08003	Intake Plate	1

9. Regulating Control System



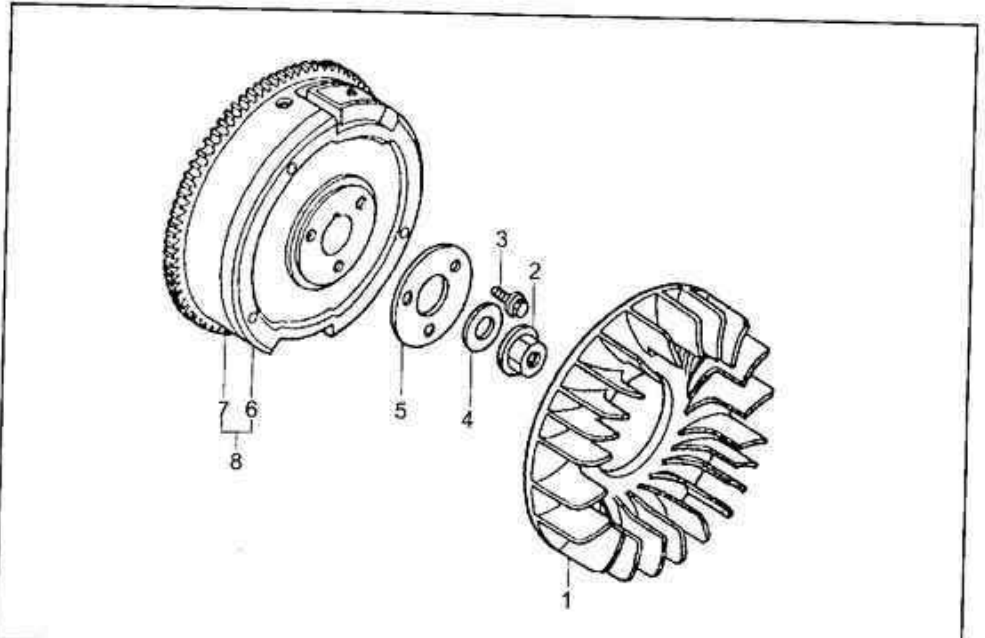
NO.	CODE	DESCRIPTION	QUANTITIES
1	LSB06012	Flange Bolt	2
2	620-09306	Control Assy	1
3	LDA05025	Speed Limit Screw	2
4	620-09006	Speed Limit Spring	2
5	620-09301	Cable Holder	4
6	LDB05016	Recessed Bolt	4
7	620-09007	Choke Control Rod	1
8	620-09008	Choke Knob	1
9	620-09009	Choke Knob Rod	1
10	620-09304	Rod Joint	1
11	620-09010	Governor Rod	1
12	620-09305	Linkage Bush	1
13	620-09011	Throttle Return Spring	1
14	16009005	Governor Arm Bolt	1
15	LMC06	Flange Nut	1
16	620-09013	Governor Arm	1
17	620-09004A/B	Governor Spring	1
18	620-09005	Starter Spring	1

10. Muffler Assembly



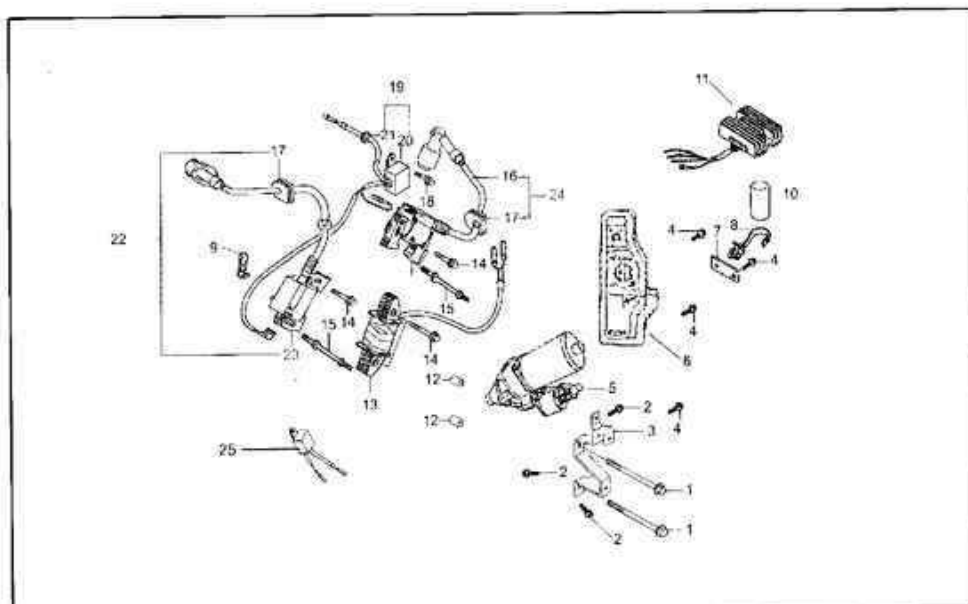
NO.	CODE	DESCRIPTION	QUANTITIES
1	620-10001	Muffler Stay	1
2	LSB08016	Flange Bolt M8× 16	8
3	620-10100	Muffler Assembly	1
4	LMB08	Flange Nut M8	4
5	TDA08	Spring Washer 8	4

11. Flywheel Assembly



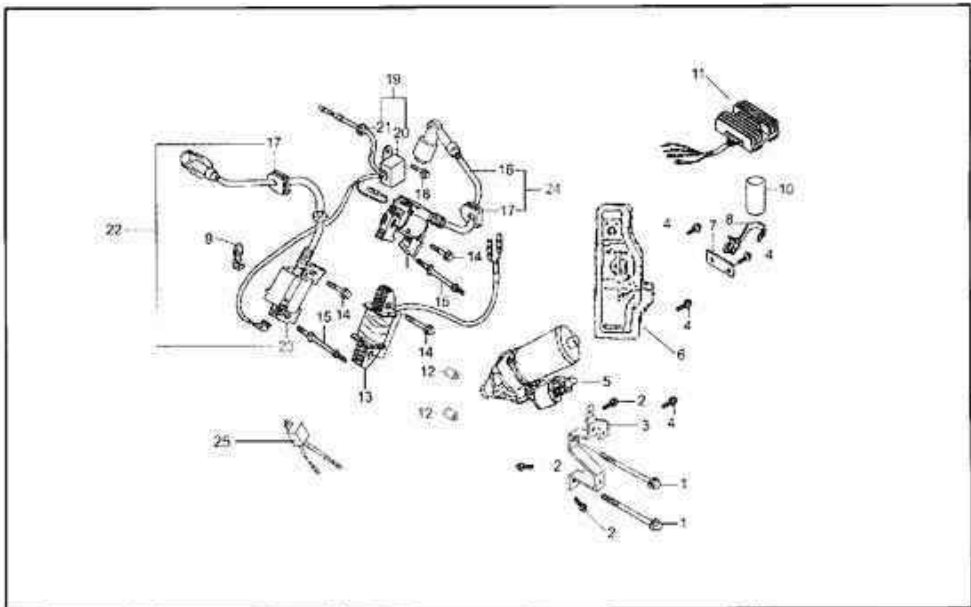
NO.	CODE	DESCRIPTION	QUANTITIES
1	620-11002	Cooling Fan	1
2	620-11003	Flange Nut M20	1
3	LSB08016	Flange Bolt M8 x 16	3
4	620-11004	Washer	1
5	620-11001	Cooling Fan Setting Plate	1
6	620-11101	Flywheel	1
7	620-11102	Flywheel Gear	1
8	620-11100	Flywheel Comp	1

12. Electric System



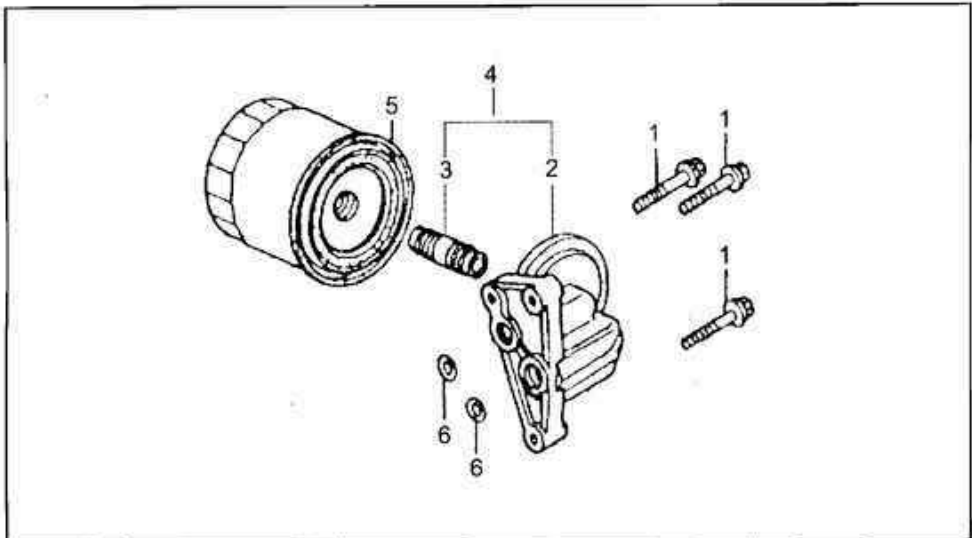
NO.	CODE	DESCRIPTION	QUANTITIES
1	LSB08110	Flange Bolt M8× 110	2
2	LSB06012	Flange Bolt M6× 12	3
3	620-12008	Control Box Stay	1
4	LSB06016	Flange Bolt M6× 16	4
5	620-12300	Starter Motor	1
6	620-12500	Control Box Assembly	1
7	620-12004	Wire Harness Clip Bracket	1
8	620-12006	Wire Harness Band	1
9	620-12003	Cord Clamp	1
10	620-12007	Cord Tube	1
11	620-12009	Regulator Rectifier Assembly	1
12	XA1012	Dowel Pin	2
13	620-12200	Charge Coil Assembly	1
14	LSB06030	Flange Bolt M6× 30	4
15	620-12001	Stud Bolt	2
16	620-12401	Left Ignition Coil	2
17	620-12402	High Tension Cord Grommet	2
18	LSB06008	Flange Bolt M6× 8	1

12. Electric System



NO.	CODE	DESCRIPTION	QUANTITIES
19	620-12100	Engine Stop Diode Assembly	1
20	620-12101	Engine Stop Diode	1
21	620-12102	Tool Grammet	1
22	620-12400	Right Ignition Coil Assembly	1
23	620-12401	Right Ignition Coil	1
24	620-12400	Left Ignition Coil Assembly	1
25	160-12007	Diode	1

13. Lube Oil System



NO.	CODE	DESCRIPTION	QUANTITIES
1	LSB06030	Flange Bolt M6x 30	3
2	620-13201	Oil Filter Base	1
3	620-13202	Oil Filter Holder	1
4	620-13200	Oil Filter Holder Assy	1
5	620-13100	Oil Filter Cartridge	1
6	620-13002	O-Ring	2

14. Easy Destroyed Parts of Engine

NO.	CODE	DESCRIPTION	QUANTITIES
1	620-03300	Oil Ring Assembly	2
2	620-03304	First Piston Ring	2
3	620-03305	Second Piston Ring	2
4	YF081404	Oil Seal	1
5	YF385808	Oil Seal	1
6	620-02002	O-Ring	1
7	620-02003	Crankcase Cover Gasket	1
8	620-04302	Oil Filler Cap Packing	1
9	24004002	Head Cover Packing	2
10	620-04001	Cylinder Head Gasket	2
11	620-04002	Spark Plug F6RTC	2
12	35005011	Valve Stem Seal	2
13	620-07012	Intake Manifold Gasket	2
14	620-07009	Carburetor Gasket	2
15	620-07008	Air Cleaner Gasket	1
16	620-08101	Foam Filter Element	1
17	620-08102	Paper Filter Element	1
18	620-08103	Air Cleaner Element	1
19	620-08002	Air Cleaner Seal	1
20	620-13002	O-Ring	2