

BD400 Electric material lifter



Portable lifter perfect for lifting and transporting heavy loads

BD 400 is a portable electric lifter with electronic height adjustment for safe lifting of heavy loads.

It's rear facing counterbalance system allows for easy lifting of loads adjacent to walls.

This is the ideal lifting device for construction and industrial applications that need to work in tight areas.

It is easily folded up for transportation and can be ready to use in seconds.

- Mast is strong and lightweight with aluminium anti-torsion rails
- Immediate use on site, activated in seconds without tools
- Can be used on sloping ground by orienting the adjustable wheel supports in front of the mast
- Electric motor 230 V - 50 / 60 Hz (110 V also available)
- The **variable speed** controller is easy to use for soft start or to adjust the micro operating height.
- Emergency Stop Button, to stop raising / lowering immediately.
- Manual operation in case of power failure
- **Automatic clutch breaker**: prevents over weight loading
- Adjustable wheel base



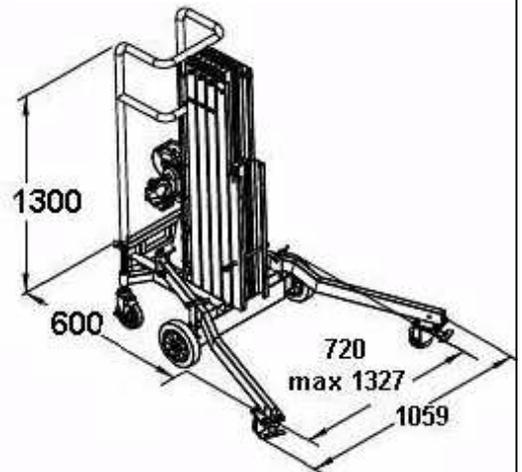
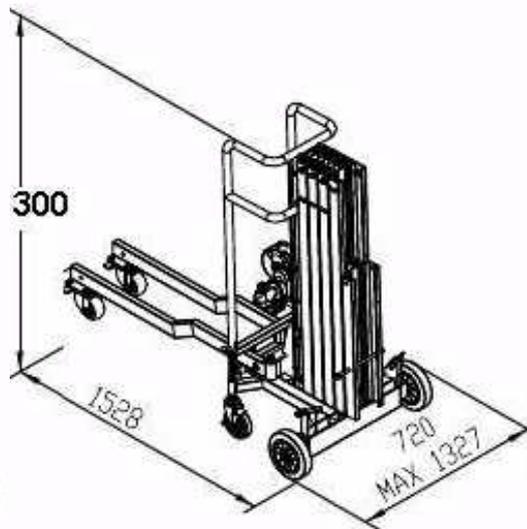
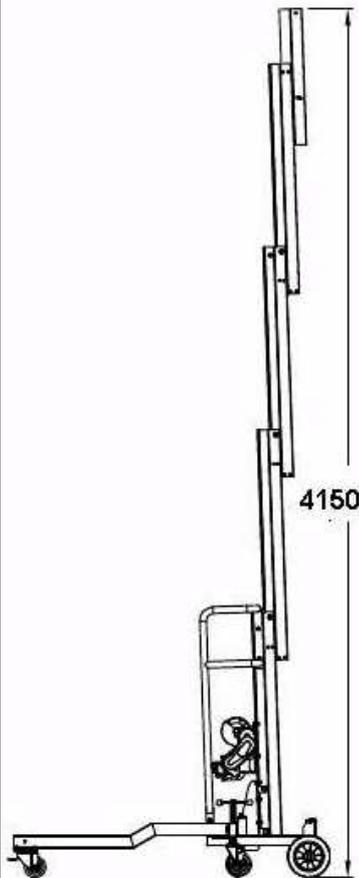
| Max. load capacity | Weight |
|----------------------|--------|
| 3m, 250 kg; 4m 200kg | 100 kg |

Equipped with fork + jib
Glass cradle not included



ISO 9001

BD400 Electric material lifter

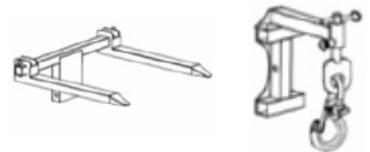


Two Configurations

- Legs in front of the mast
- Legs behind the mast using counter weights

Delivered with

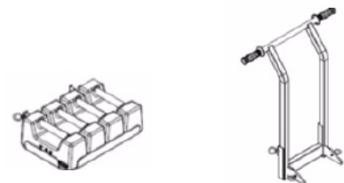
- Fork
- Jib



Accessories

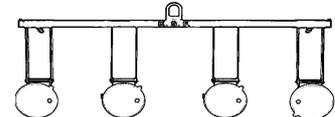
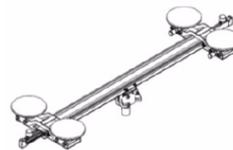
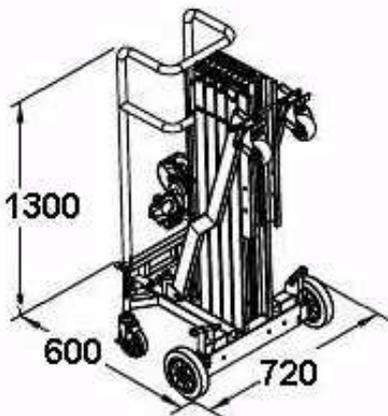
To work close to the wall :

- 4 x counter weight
- 1 x carry handle

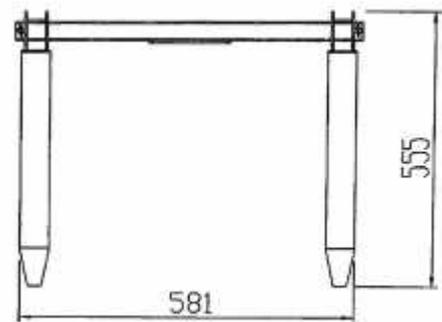
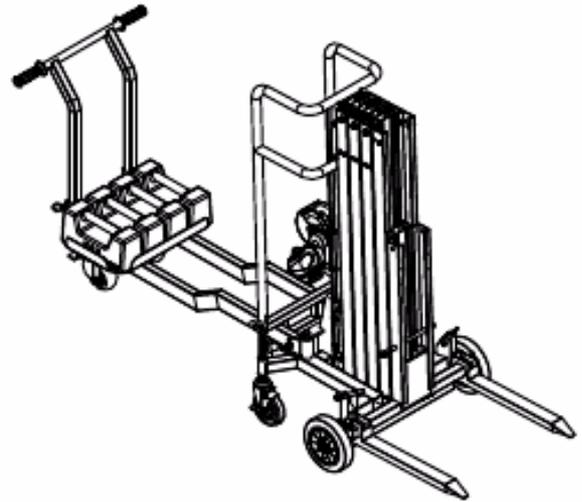
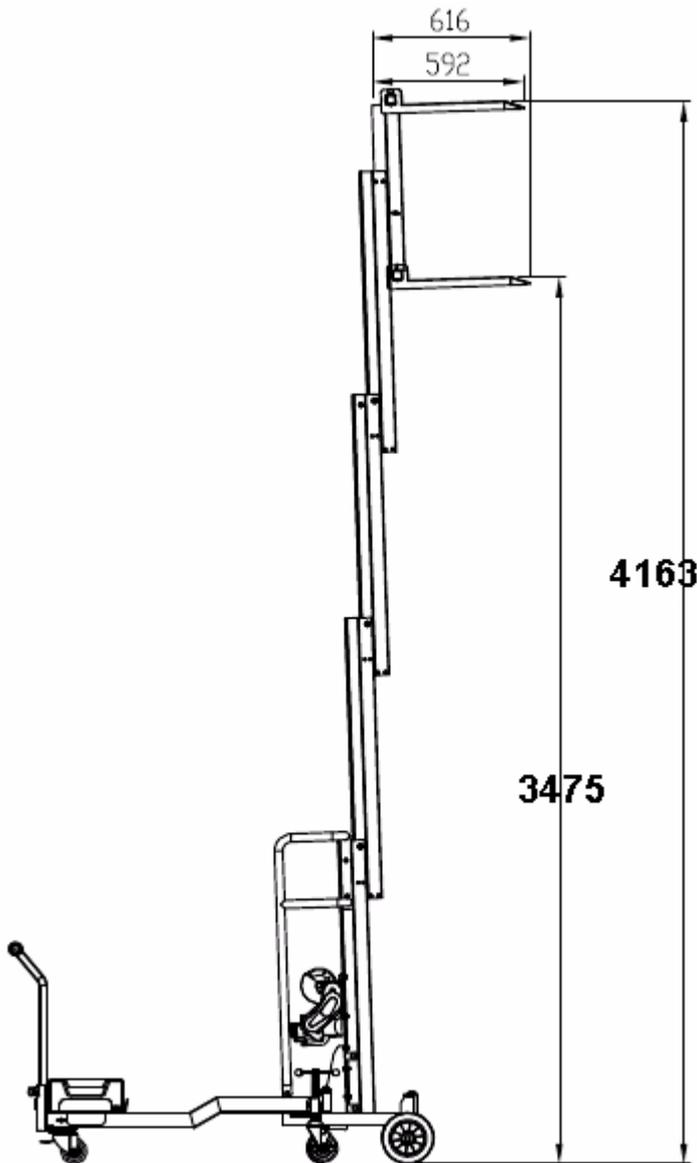


Optional Accessories

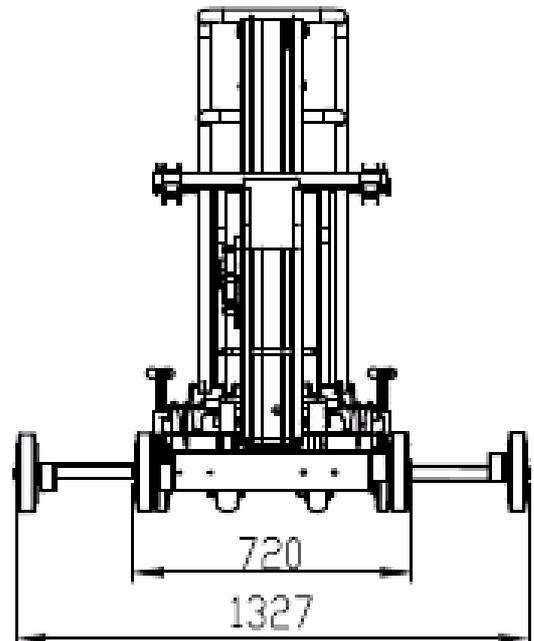
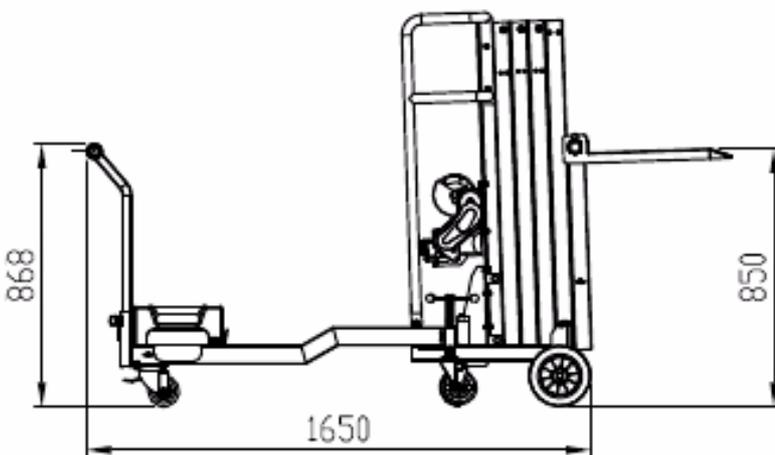
- Platform
- Glass cradle 180 kg for over head glazing
- Glass cradle 250 kg for front glazing



BD400 Electric material lifter



Adjustable width

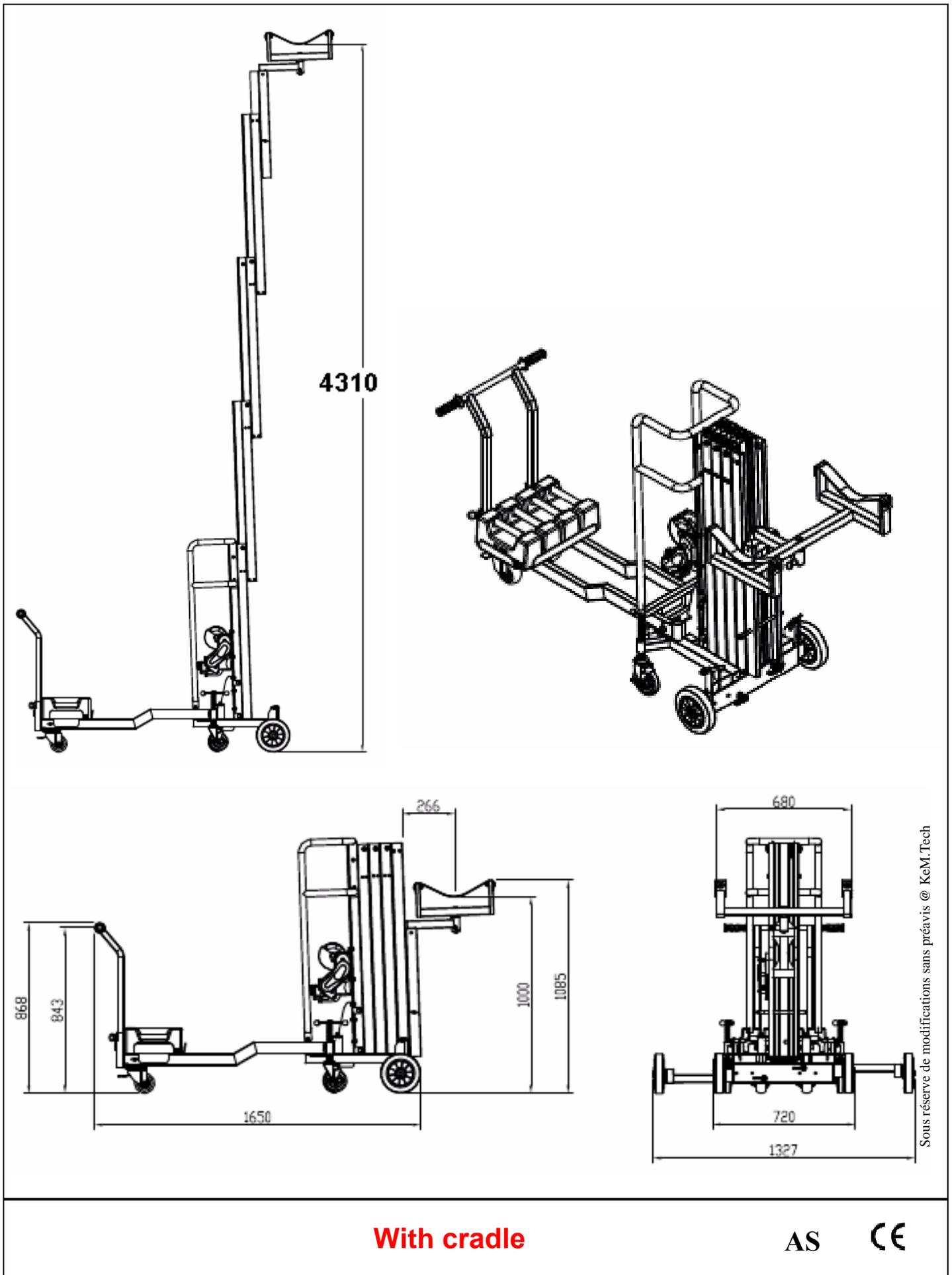


Sous réserve de modifications sans préavis @ KeM.Tech

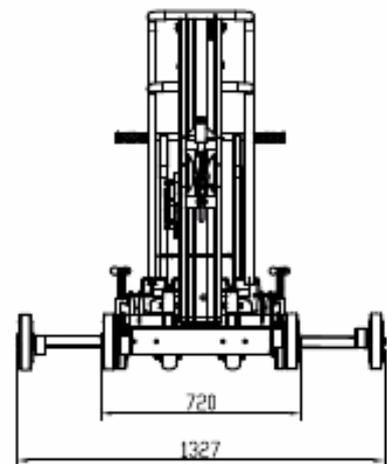
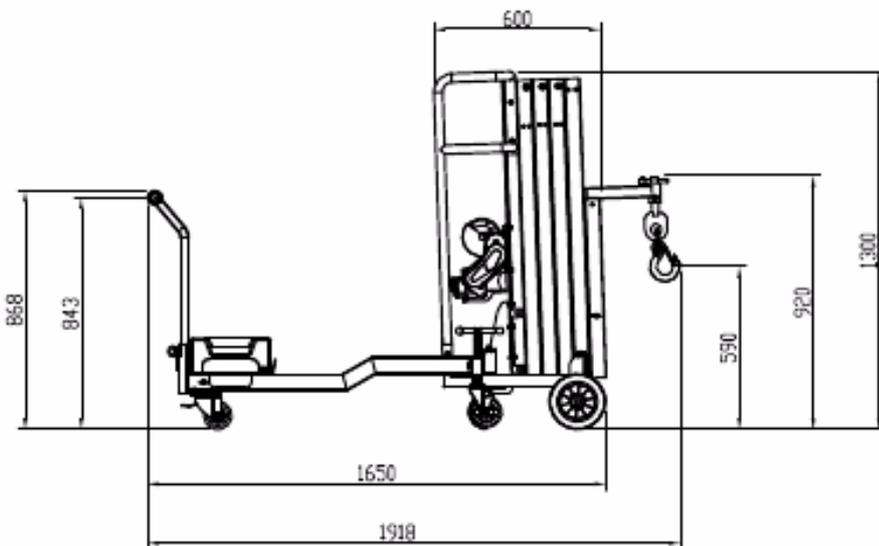
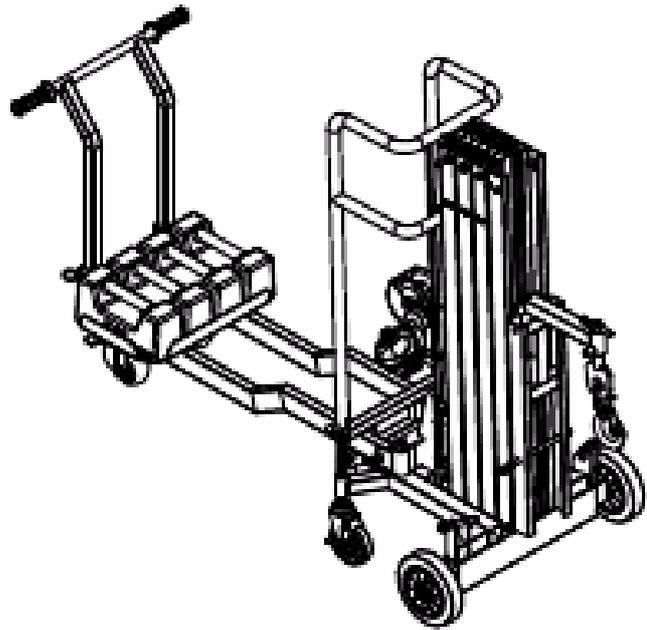
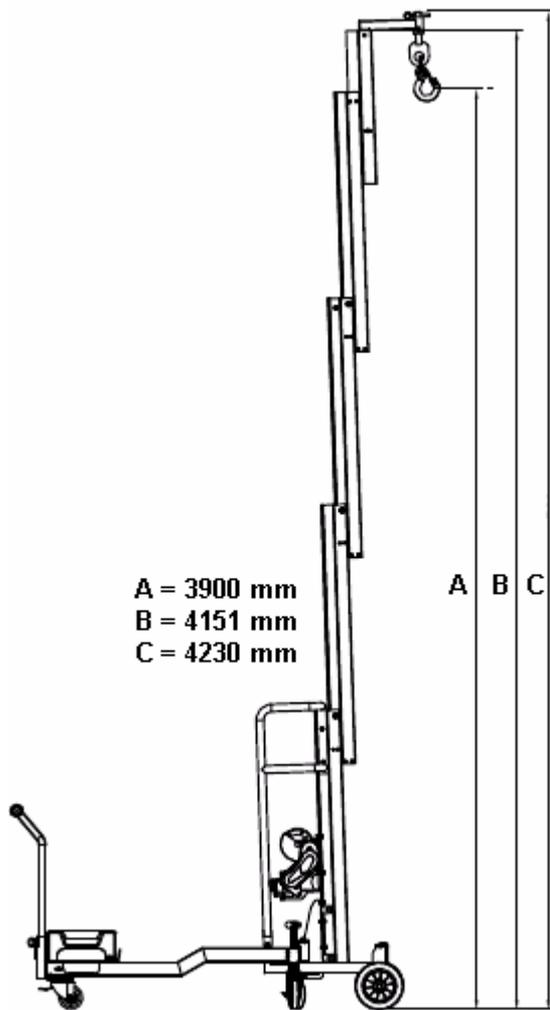
With fork

Dimensions in mm AS CE

BD400 Electric material lifter



BD400 Electric material lifter



Sous réserve de modifications sans préavis @ KeM.Tech

With jib

AS CE

BD400 Electric material lifter



BD400 Electric material lifter

