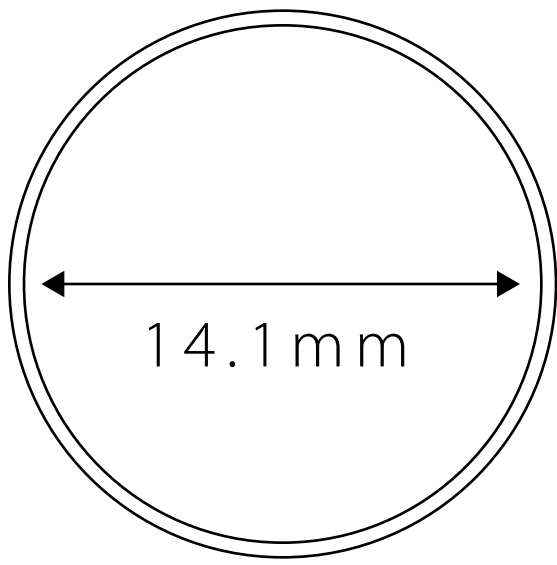
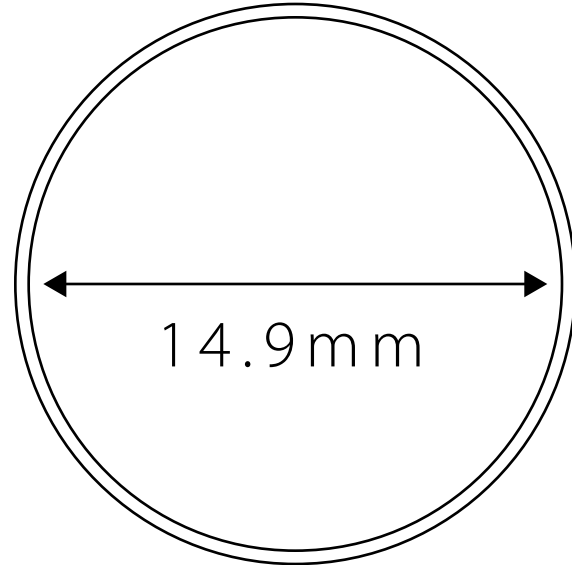


# Ring Size Guide

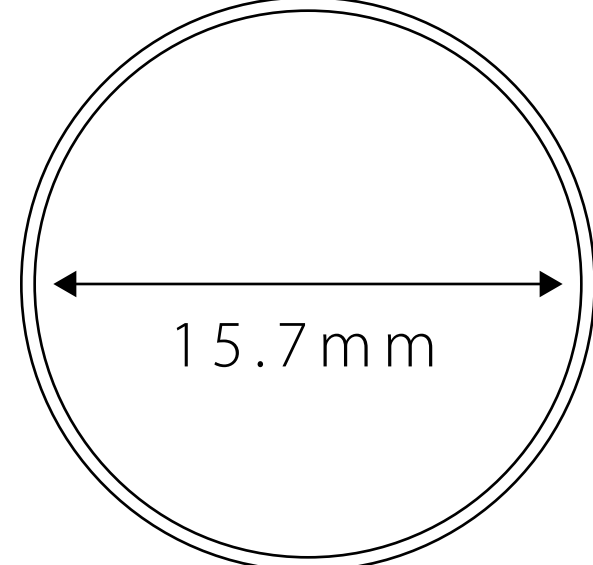
SIZE 3



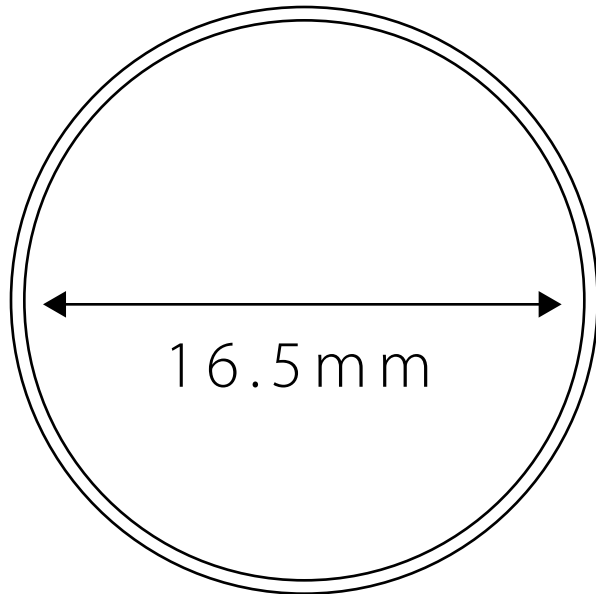
SIZE 4



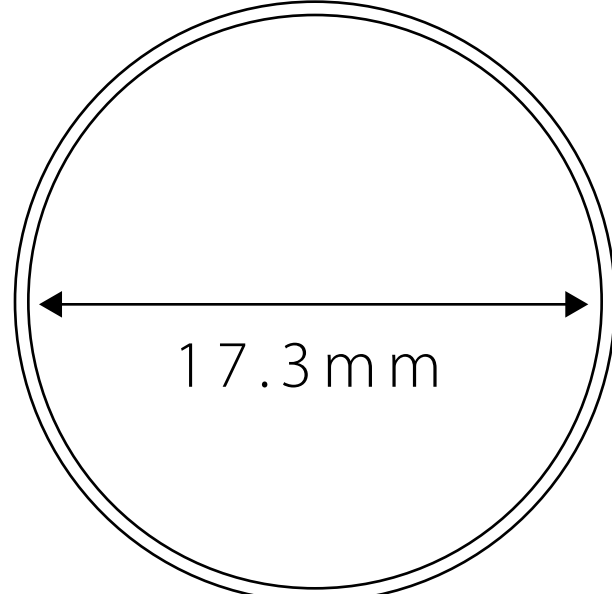
SIZE 5



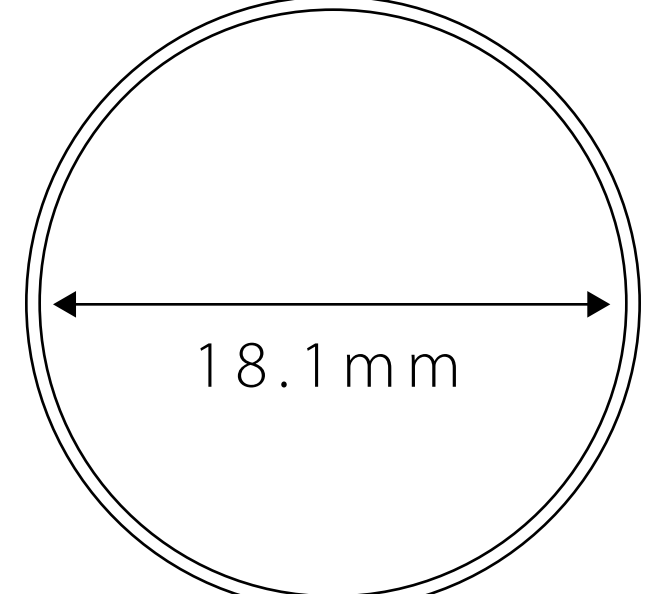
SIZE 6



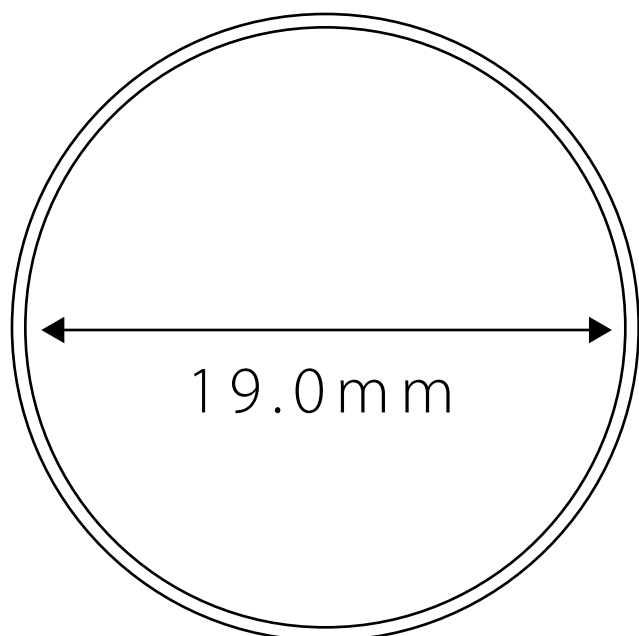
SIZE 7



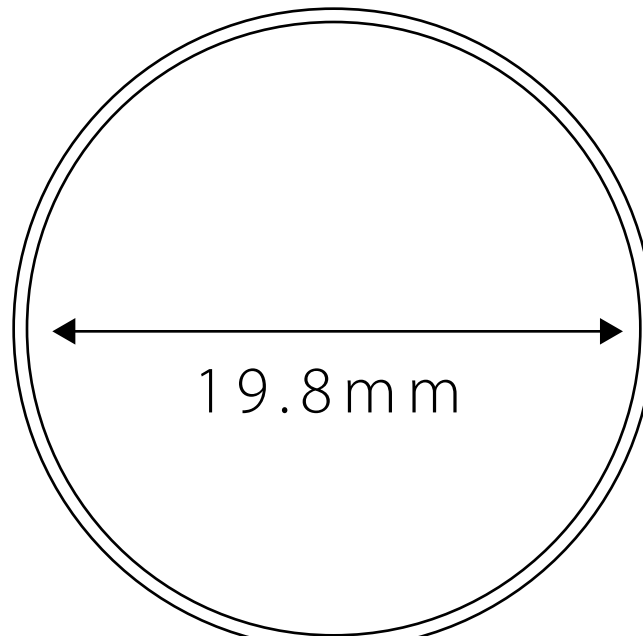
SIZE 8



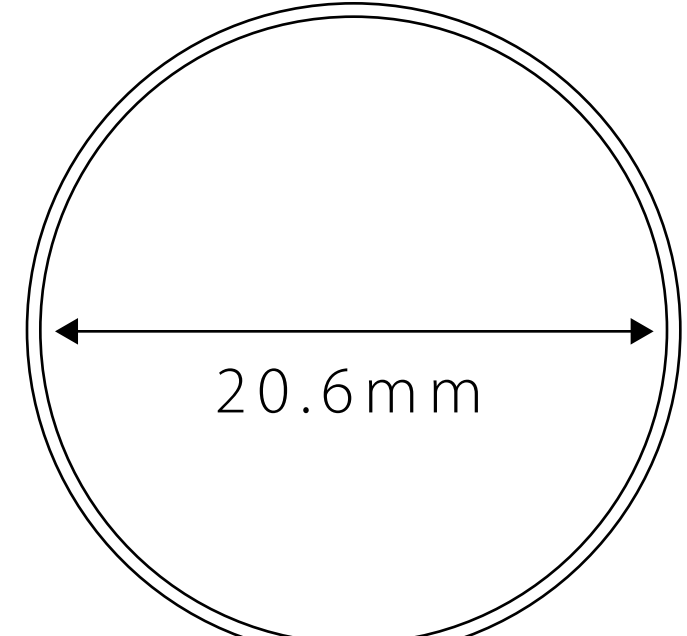
SIZE 9



SIZE 10



SIZE 11



BOTANICAL H2O

# *How to find your size*

## AT HOME

Wrap a string around your finger, below the knuckle or where you would like the ring to sit.

Make sure it is snug but not too tight.

Mark the string where it meets, ensuring it fits over your knuckle.

Use a ruler to measure the distance between the marks in millimetres.

Find the closest match using our ring size guide.

---

## ALREADY OWN A RING THAT FITS WELL?

Simply measure its inside diameter in millimetres and find the closest match using our ring size guide.

---

## COME SAY HI

Visit us or any other jewellery store to have your ring size professionally measured.