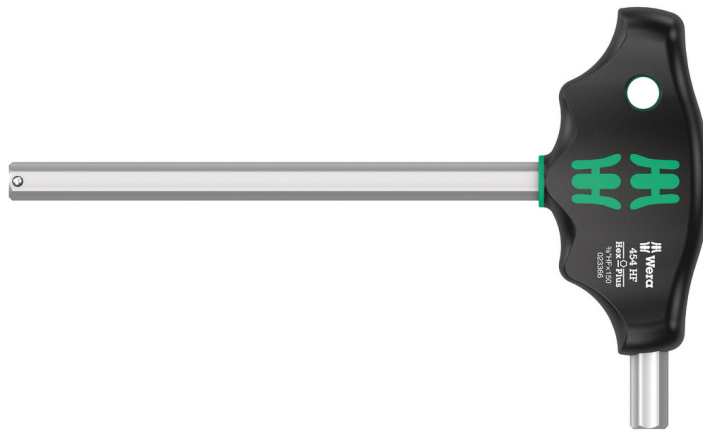


454 HF T-handle hexagon screwdriver Hex-Plus with holding function, imperial,  
3/8" x 150 mm  
Series 400 T-Handle



<b>EAN:</b>	4013288208163	<b>Size:</b>	198x120x22 mm
<b>Part number:</b>	05023366001	<b>Weight:</b>	189 g
<b>Article number:</b>	454 Imperial HF	<b>Country of origin:</b>	CZ
		<b>Customs tariff number:</b>	82054000

- T-handle screwdriver for the transmission of particularly high tightening and loosening torque
- Ergonomic 2-component handle with finger handle recesses and pleasant surface feel for very high power transmission and fatigue-free working
- Take it easy tool finder: colour coding according to profile and size
- With additional short arm for the transmission of extremely high torques due to the leverage of the long arm
- With holding function (HF) on the long arm to securely hold the screw on the tool

T-handle screwdriver: The ideal handle shape allows the transmission of particularly high tightening and loosening moments. The ergonomic shape of the handle fills the ball of the hand well, the fingers lie securely in the softly rounded recessed grips. The whole hand comes into contact with the handle and friction losses between hand and handle are avoided. With holding function to hold the hexagonal socket screw securely on the tool. Special surface treatment for high corrosion protection and optimal fitting accuracy in the screw.

**Web link**

[https://products.wera.de/en/screwdrivers\\_series\\_400\\_t-handle\\_454\\_imperial\\_hf.html](https://products.wera.de/en/screwdrivers_series_400_t-handle_454_imperial_hf.html)

Wera - 454 Imperial HF  
05023366001 - 4013288208163

Wera Werkzeuge GmbH  
Korzter Straße 21-25  
D-42349 Wuppertal  
Tel: +49 (0)2 02 / 40 45-0  
E-Mail: [info@wera.de](mailto:info@wera.de)

**Ergonomic 2-component T-handle**



The ergonomically shaped 2-component T-handle with finger recesses and pleasant surface facilitates very high power transmission and fatigue-free working.

**Holding function (HF) for hexagon socket screws**



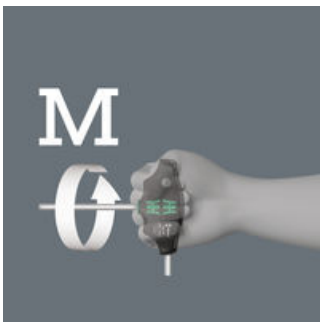
A resilient ball ensures the hexagon socket screw to be clamped on the tool tip. Especially helpful in hard to reach areas where you can not use your other hand to hold the screw.

**Second arm**



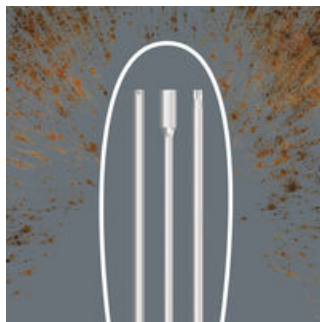
The additional short arm, which emerges laterally from the handle, allows the transmission of extremely high torques by using the long arm as a lever.

**High torque transfer**



By using the blade as an extension of your lower arm you can transfer particularly high torque.

**Corrosion protection and fitting accuracy**



Due to the special surface treatment, the blades receive a high level of corrosion protection. The optimum fitting accuracy of the screw is also guaranteed.

**Hex-Plus**



Hexagon socket screws are a problem, because the contact surfaces that transfer the force of the tool to the screw are very narrow. The consequence: the head of the screw can be damaged, usually rounding out the recess. Hex-Plus tools have larger contact surfaces to prevent this, driving from the flats of the recess, rather than the corners. Good to know: Hex-Plus tools fit into every standard hexagon socket screw!

**"Take it easy" Tool Finder**



Screwdrivers with "Take it easy" tool finder: colour coding according to profile and size stamp.

**Web link**

[https://products.wera.de/en/screwdrivers\\_series\\_400\\_t-handle\\_454\\_imperial\\_hf.html](https://products.wera.de/en/screwdrivers_series_400_t-handle_454_imperial_hf.html)







Wera - 454 Imperial HF  
 05023366001 - 4013288208163

Wera Werkzeuge GmbH  
 Korzter Straße 21-25  
 D-42349 Wuppertal  
 Tel: +49 (0)2 02 / 40 45-0  
 E-Mail: info@wera.de

454 HF T-handle hexagon screwdriver Hex-Plus with holding function, imperial,  
 3/8" x 150 mm  
 Series 400 T-Handle



Further versions in this product family:

						
	inch	mm	mm	mm	mm	inch
05023359001	1/8"	150	15	38	77	6"
05023360001	9/64"	150	15	38	77	6"
05023361001	5/32"	150	15	38	77	6"
05023362001	3/16"	150	20	49	99	6"
05023363001	7/32"	150	20	49	99	6"
05023364001	1/4"	150	20	49	99	6"
05023365001	5/16"	150	20	49	99	6"
<b>05023366001</b>	<b>3/8"</b>	<b>150</b>	<b>20</b>	<b>49</b>	<b>99</b>	<b>6"</b>

Web link

[https://products.wera.de/en/screwdrivers\\_series\\_400\\_t-handle\\_454\\_imperial\\_hf.html](https://products.wera.de/en/screwdrivers_series_400_t-handle_454_imperial_hf.html)

Wera - 454 Imperial HF  
 05023366001 - 4013288208163

Wera Werkzeuge GmbH  
 Korzter Straße 21-25  
 D-42349 Wuppertal  
 Tel: +49 (0)2 02 / 40 45-0  
 E-Mail: info@wera.de