

8796 SB Zyklop "flexible-lock" extension with free-turning sleeve, short, 3/8", 3/8"  
x 125 mm  
Zyklop Accessories, 3/8"



<b>EAN:</b>	4013288121318	<b>Size:</b>	190x44x20 mm
<b>Part number:</b>	05003591001	<b>Weight:</b>	125 g
<b>Article number:</b>	8796 SB	<b>Country of origin:</b>	CZ
		<b>Customs tariff number:</b>	82042000

- 3/8" Zyklop "flexible-lock" extension with free-turning sleeve, short
- For 3/8" square sockets with ball lock
- Flexible lock system for either locking or rapid exchange of the attached tool
- With free-turning sleeve for rapid tightening and loosening of screws and nuts
- Chrome vanadium steel, matt chrome-plated

Wera Zyklop extension with flexible-lock: when activated the sockets are secured and permanently fixed, any unintentional loss being avoided. When the system is deactivated, the sockets can be quickly attached and exchanged. Equipped with a free-turning sleeve for faster turning of screws and nuts.

**Web link**

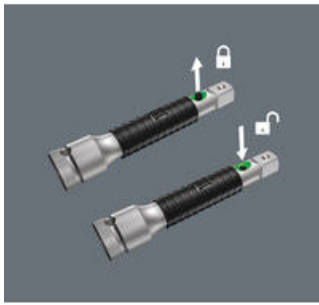
[https://products.wera.de/en/ratchets\\_and\\_accessories\\_the\\_zyklop\\_ratchets\\_the\\_zyklop\\_ratchets\\_3\\_8\\_zyklop\\_accessories\\_3\\_8\\_8796\\_sb.html](https://products.wera.de/en/ratchets_and_accessories_the_zyklop_ratchets_the_zyklop_ratchets_3_8_zyklop_accessories_3_8_8796_sb.html)

Wera - 8796 SB  
05003591001 - 4013288121318

Wera Werkzeuge GmbH  
Korzter Straße 21-25  
D-42349 Wuppertal  
Tel: +49 (0)2 02 / 40 45-0  
E-Mail: [info@wera.de](mailto:info@wera.de)

Flexible-lock-system

Free-turning sleeve



The extensions from the premium lines are also equipped with the unique "flexible-lock-system". By activating this system, attachments can be fixed to the extension permanently - preventing slipping and any unintentional loss of the attachment. When the system is deactivated, the sockets can be attached as usual and changed in a flash.

The free-turning sleeve on the Zyklop Speed and the Zyklop extension effectively accelerates the turning of screws and nuts.

Further versions in this product family:



inch



mm

	inch	mm
05003591001	3/8"	125.0

Web link

[https://products.wera.de/en/ratchets\\_and\\_accessories\\_the\\_zyklop\\_ratchets\\_the\\_zyklop\\_ratchets\\_3\\_8\\_zyklop\\_accessories\\_3\\_8\\_8796\\_sb.html](https://products.wera.de/en/ratchets_and_accessories_the_zyklop_ratchets_the_zyklop_ratchets_3_8_zyklop_accessories_3_8_8796_sb.html)

Wera - 8796 SB  
 05003591001 - 4013288121318

Wera Werkzeuge GmbH  
 Korzter Straße 21-25  
 D-42349 Wuppertal  
 Tel: +49 (0)2 02 / 40 45-0  
 E-Mail: info@wera.de