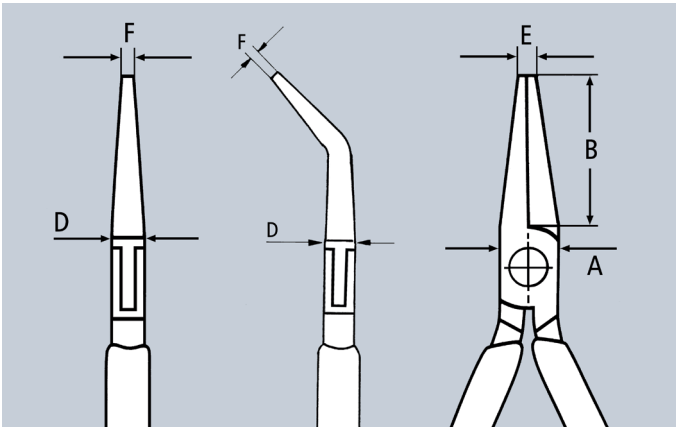


- > precision pliers for ultra fine assembly work in electronics and fine mechanics
- > designed for gripping, holding and bending small components
- > electrically discharging handles – dissipative
- > precision box joint
- > smooth gripping surfaces and rounded edges prevent damage to components
- > low-friction double spring for gentle and even opening
- > the mirror polish, together with a fine film of oil, offer the best possible rust protection – no circuit faults caused by peeling chrome from plated tools
- > ball bearing chrome steel



ESD pliers (electrostatic discharge)

Electrostatic energy is discharged through the handles in a gradual and controlled manner which protects components endangered by electrostatic discharge in accordance with applicable standards, e.g. IEC TR 61 340-5, DIN EN 61 340-5, SP Method 2472



35 12 115 ESD



35 22 115 ESD



35 32 115 ESD



35 42 115 ESD



Product Number	Packaging	↔ Inch mm	Icons	Head	Handles	Dimensions					⚖️ lbs
						A Inch mm	B Inch mm	D Inch mm	E Inch mm	F Inch mm	
35 12 115 ESD		4 1/2 115	⚡ * □ ◁ ▷ ≡ ≡ ≡	mirror polished	ESD multi-component grips	3/8 9.5	57/64 22.5	17/64 6.7	5/64 2.0	5/32 4.0	0.16
35 22 115 ESD		4 1/2 115	⚡ * ⊖ ◁ ▷ ≡ ≡ ≡	mirror polished	ESD multi-component grips	3/8 9.5	57/64 22.5	17/64 6.7	5/64 2.0	1/16 1.5	0.16
35 32 115 ESD		4 1/2 115	⚡ * 8 ◁ ▷ ≡ ≡ ≡	mirror polished	ESD multi-component grips	3/8 9.5	57/64 22.5	17/64 6.7	5/64 2.0	3/64 1.0	0.15
35 42 115 ESD		4 1/2 115	⚡ * ∠45° ⊖ ◁ ▷ ≡ ≡ ≡	mirror polished	ESD multi-component grips	3/8 9.5	57/64 22.5	17/64 6.7	5/64 2.0	1/16 1.5	0.16