

# Introducing...

## 3M™ Scotchlok™ Moisture Guard Connector

The Moisture Guard Connector is the latest innovative new product offered by 3M for use in residential and commercial landscape lighting and irrigation applications or any other moisture resistant application.

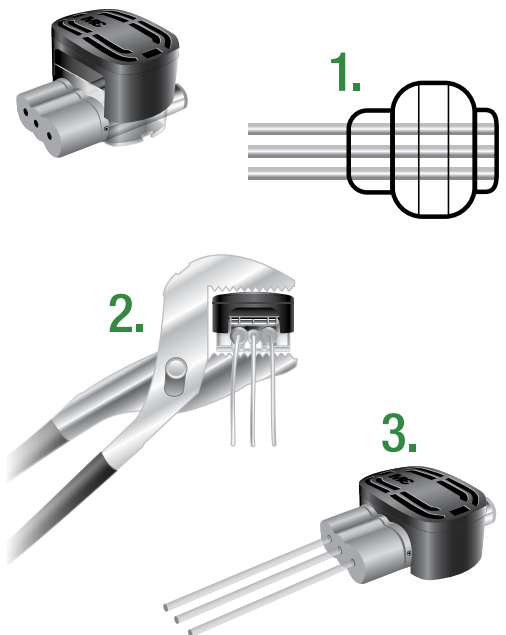
**It strips, connects and seals all in one step!**

- No stripping required
- Filled with moisture resistant grease
- UV resistant
- No special tools required

It's quick and easy to use. Simply insert the wires into the connector, push the lid down using conventional long handled pliers and the connection is complete. It accommodates 18-12 AWG wires on the outer ports and one fixture solenoid wire 20-18 AWG on the center port.

### Ordering Information

Product Number	UPC Number	Product Description	Minimum Order Qty.
MGC (25/bag)	051128-56827-9	3M™ Moisture Guard Connector- 25/Bag	250
MGC (100/jug)	051128-56828-6	3M™ Moisture Guard Connector- 100/Jug	400



### For Material Safety Data Sheet Contact:

Electrical Markets Division/3M  
3M Austin Center  
6801 River Place Blvd.  
Austin, TX 78726-9000

80-6016-0354-3

