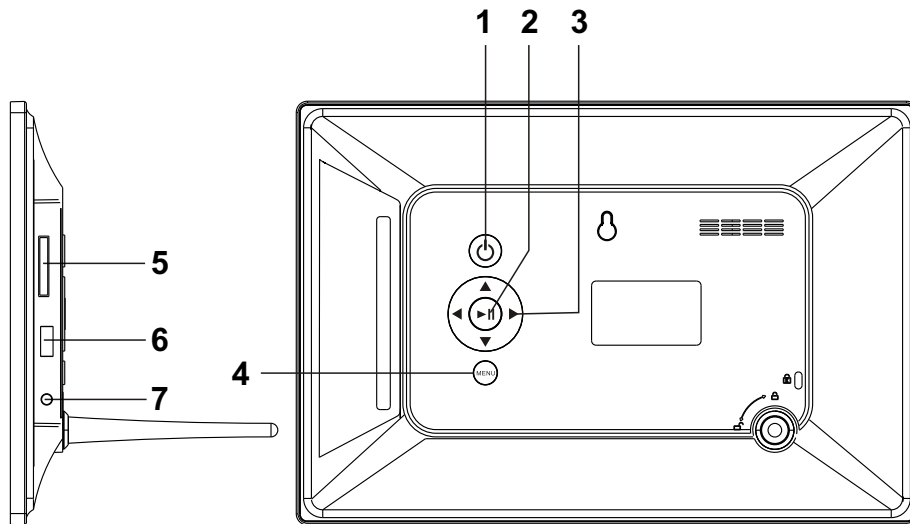


Thank you for your purchasing of Sonicgrace digital photo frame. This quick start guide will help you setup and start using the player as quickly as possible.

### Buttons and jacks



1. **Power:** Press to turn on or turn off the DPF player.
2. **Play / Pause:** Press to enter / confirm; Press to pause when slideshow pictures and press again to continue slideshow.
3. **Right / Left / Up / Down:** Press to move cursor right /Left /Up / Down.
4. **Menu:** Back to last step.
5. **SD/SDHC:** Insert one of the SD/SDHC cards each time.
6. **USB:** Insert a USB flash stick.
7. **5V DC IN:** Insert the power adaptor cord to connect the unit with power outlet.

### Remote control

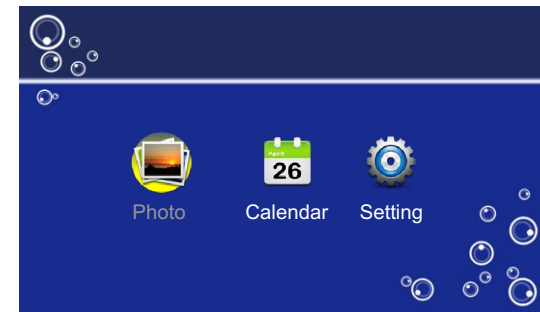
- Setup:** Press to set up picture display.  
**Left:** Press to move cursor left or to the last picture.  
**Right:** Press to move cursor right or to the next picture.  
**Up:** Press to move cursor up.  
**Down:** Press to move cursor down.  
**Enter:** Press to enter/confirm; Press to pause when slideshow pictures and press again to continue slideshow.  
**Power:** Press to turn on or turn off your DPF player.  
**Exit:** press to exit.  
**Zoom:** Press to zoom picture when browse pictures.  
**Rotate:** Press to rotate picture when browse pictures. pictures directly except in thumbnail pictures mode and Edit mode.



**Note:** Please remove the isolating tab to activate remote control battery.

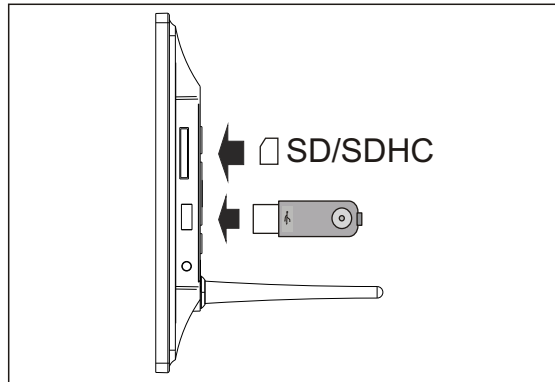
### Getting Started

Connecting your DPF with power by using the power adapter provided. The DPF will start up and go to main menu.



## Loading photos from memory card or USB

Insert one of the SD/SDHC card to your digital photo frame by following the direction showed as below:



You can also insert a USB flash disk which has pictures to the USB slot to play pictures stored in the USB. The digital photo frame will auto slideshow pictures in your card or USB which has been inserted.

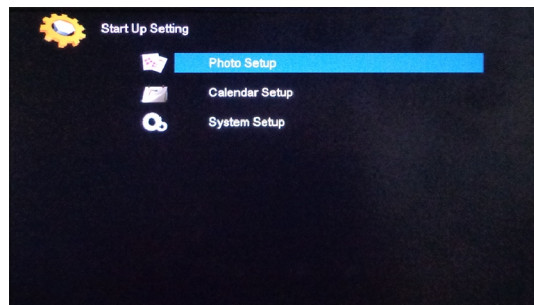
Keep pressing **Exit** button on remote control to exit to the main menu.

## Setting

There are two ways to go to Setting mode:

1. Press **LEFT/RIGHT** button to move cursor to Setting and press **Enter** to enter the setting interface.
2. Press **Setup** button on remote control to setup interface directly.

There will be 3 icons listed at the left side. From top to bottom, they are Photo Setup, Calendar Setup and System Setup respectively.



You may press **Up** button or **Down** button to select one of the icons, and press **Enter** or **Play/Pause** to enter the detailed setup options (press **Exit** to return), then press **Up/Down** to choose what you want to set, and press **Left/Right** to change the setting. Press **Exit** to after finish the setting.

## What you can setup

You can setup slideshow interval time, transition effect, show type in fit screen or full screen, browse in thumbnail mode or Browse Mode, play repeat mode, photo auto play or not, brightness and contrast, TFT saturation, OSD language and restore all of the settings to factory default setting by selecting Reset Default Setting.

## Calendar and Clock

In Setup setting (start up setting), choose Calendar Setup and confirm. Then you will enter the interface with four options: Display Mode, Date, Clock Mode and Clock Time.

Press **Up/Down** to select Date and press **Left/Right** to set Date.

Press **Exit** button to go to the main menu interface after setting.

You may follow the same steps to setup Clock.

## Support

### 1. Visit the support site.

- For manual download and FAQs: [www.sonicgracehome.com](http://www.sonicgracehome.com)

### 2. Contact Sonicgrace Support team

- Toll Free Call in the USA: 909-465-0887
- Service email: [cs@sonicgracehome.com](mailto:cs@sonicgracehome.com)