



Technical data

Voltage	U	240	V
Phase		1	~
Frequency		60	Hz
Speed		1130	RPM
Power consumption	P _e	205	W
Nominal current	I	0.9	A
Maximum current	I	1.2	A
Capacitor		05/400	μF
Ambient temperature	T _{amb min/max}	-13...104	°F
Insulation Class		CL.F	
IP Class Fan		IP55	
Sound pressure level at 2 m	L _p	47	dB(A)
Weight		31.9	Lbs.
Packing dimensions		28.4x28.4x15.8	inch

Fan details

Impeller blades	8
Impeller type	3
Impeller system	C
Impeller material	PP

Control options

Triac controller	Yes
Transformer	Yes
Frequency drive	No
Intelligent Fan Drive	No

* All control options including single phase control frequency are available. Please contact Vostermans Ventilation Sales for more information

Characteristics

0.00 in. wg 3060 CFM



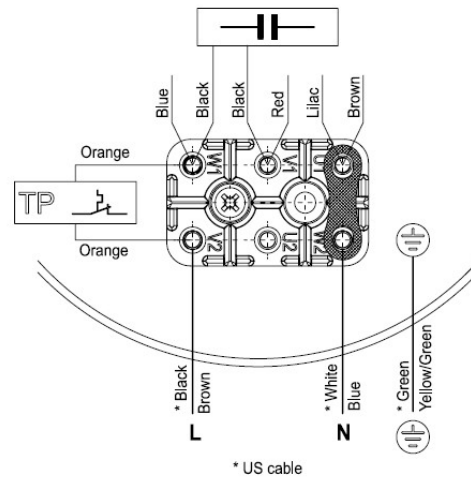
Please note: Picture may deviate from original product

Approval(s)

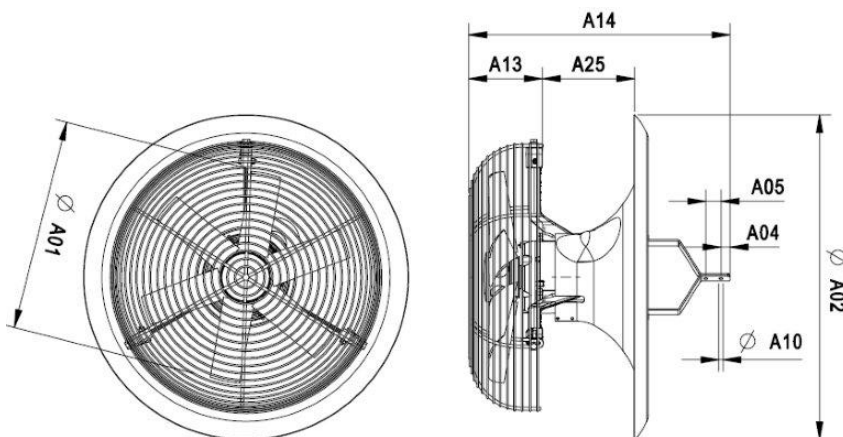


Wiring diagram - Fan

AA02 - 1 Phase - Standard - CW



Dimensions



A01:	16.5 inch
A02:	25.6 inch
A04:	0.7 inch
A05:	1.2 inch
A10:	0.3 inch
A13:	5.7 inch
A14:	21.2 inch
A25:	7.2 inch