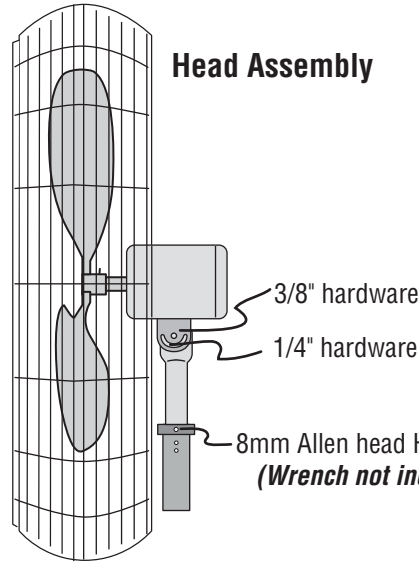
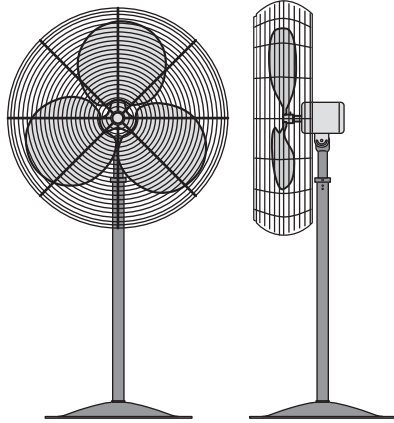


Heavy Duty Pedestal Fans



Head Assembly

P# VRP199

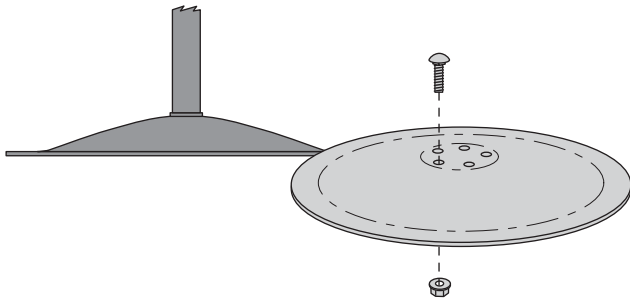
| FAN HEAD HARDWARE PACK |
|-------------------------------|
| 1 - 1/4"-20 x 1" Hex Bolt |
| 1 - 1/4"-20 Nylock Hex Nut |
| 2 - 1/4" Flat Washers |
| 1 - 3/8"-16 x 1 1/4" Hex Bolt |
| 1 - 3/8"-16 Nylock Hex Nut |
| 2 - 3/8" Flat Washers |

3/8" hardware

1/4" hardware

8mm Allen head Height Adjustment Screw
(Wrench not included)

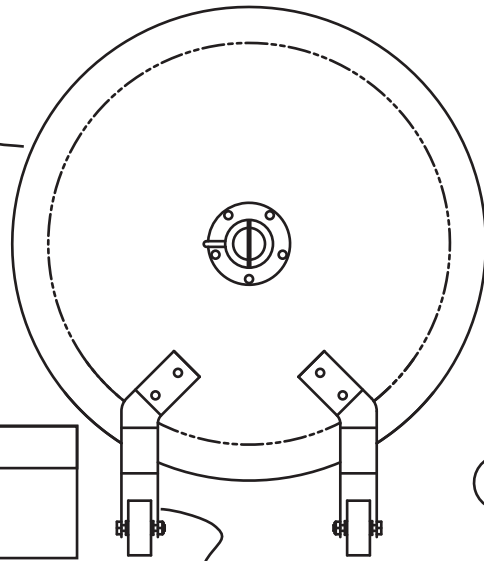
Base Assembly



P# VRP222

| PEDESTAL BASE HARDWARE PACK |
|-----------------------------------|
| 5 - 5/16"- 18 x 1" Carriage Bolts |
| 5 - 5/16"- 18 Nylock Flange Nuts |

P# VDF300
Base



P# VRP223

| WHEEL KIT HARDWARE PACK |
|-----------------------------------|
| 4 - 5/16"- 18 x 1" Carriage Bolts |
| 4 - 5/16"- 18 Nylock Flange Nuts |

P# VIWK
Wheel Kit

P# VDF100
Pedestal

