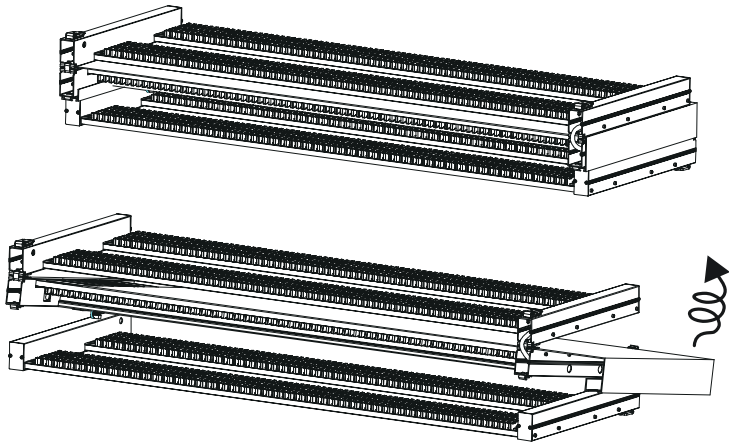
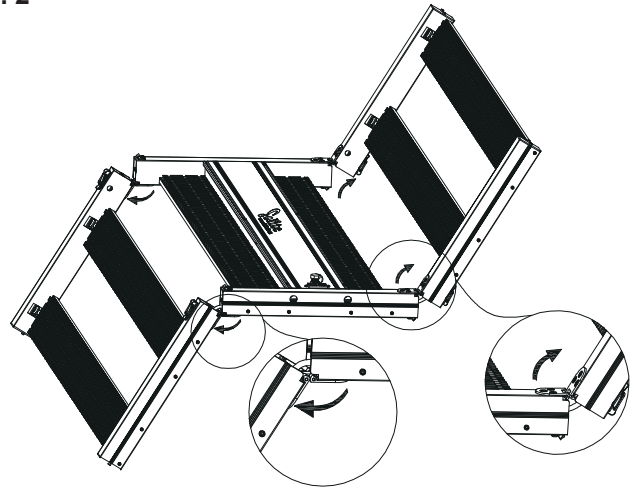


**Step. 1**



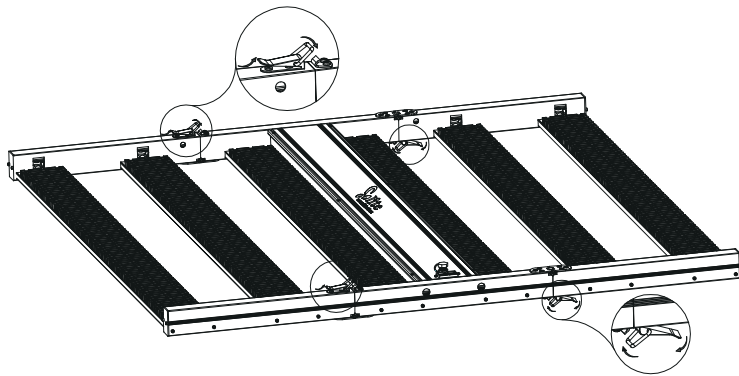
**Unfold the light, Remove the protection paper board.**

**Step. 2**



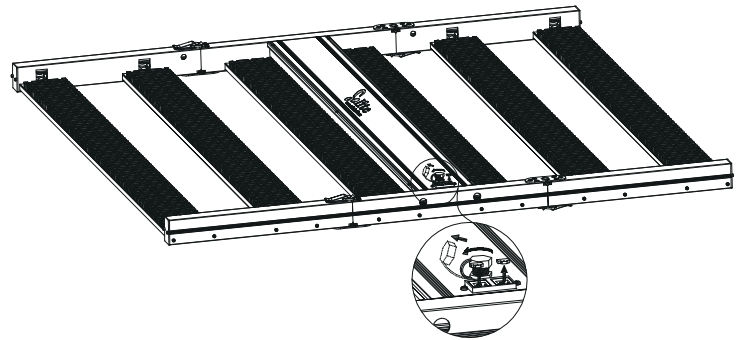
**Unfold the light to the right direction till flat.**

**Step. 3**



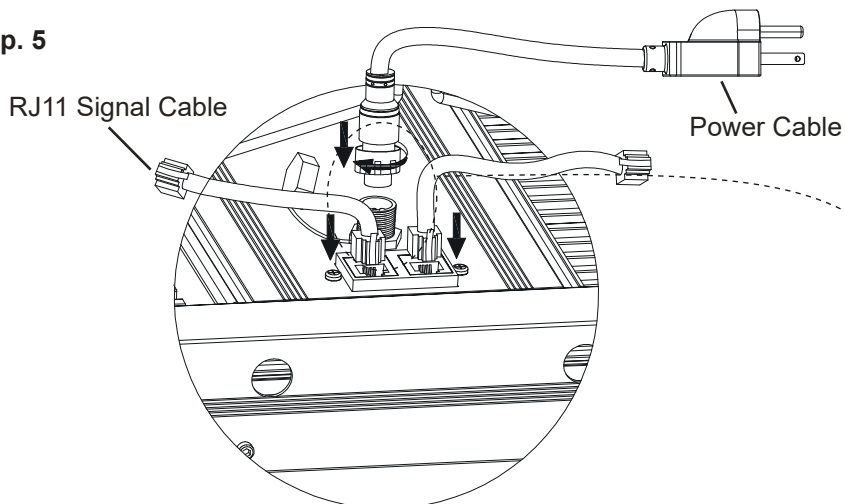
**Lock the light with 4 locks.**

**Step. 4**

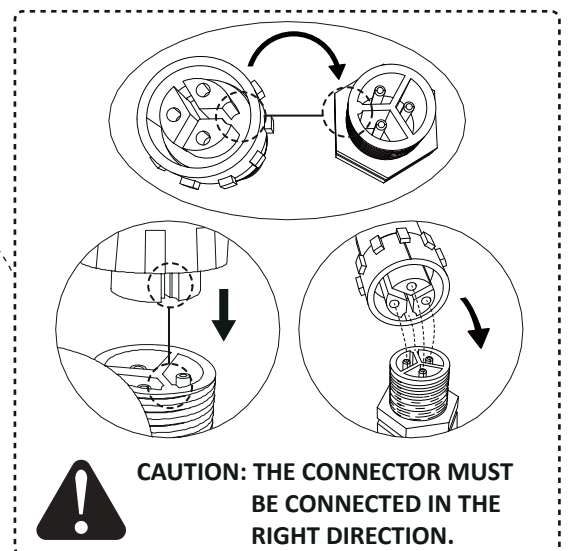


**Take off the power input and signal input cap.**

**Step. 5**

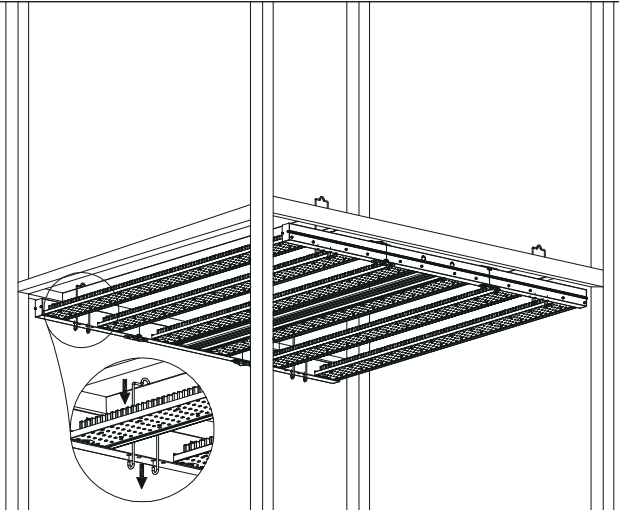


**Plug in the power input and signal input cable.**



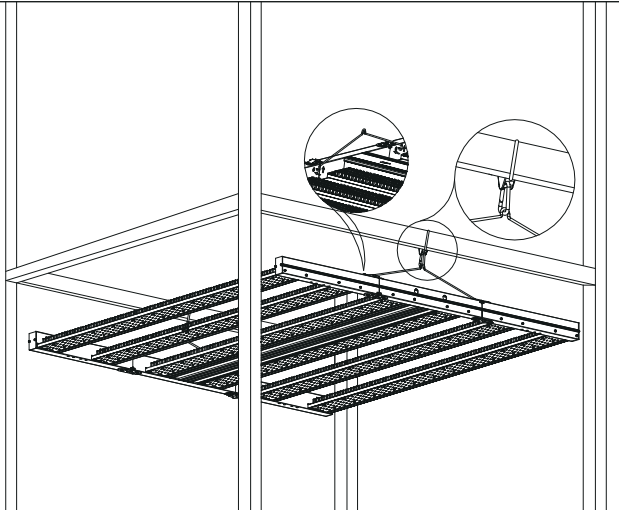
# Installation Instructions

**Step. 6**



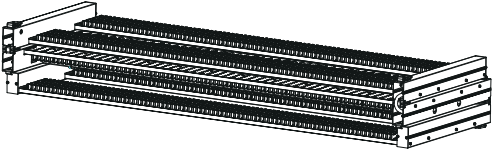


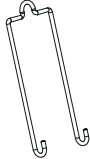
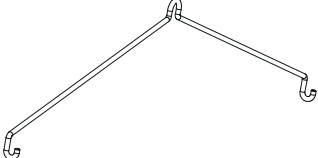
**Hang the Flora light with the hanger 01 (method 1).**

**Step. 7**



**Hang the Flora light with the hanger 02 (method 2).**

## Package Contents

Part	Description	Quantity
1	 Flora	1
2	 Power Cable	1
3	 RJ11 Signal Cable	1
4	 Hanger 01	4
5	 Hanger 02	2