



LED Light Solutions

Visiontech Group, Inc.
4010 Valley Boulevard, Unit 109
Walnut, California 91789
Toll Free w/in U.S.A.: 1 (888) 420-3694
Warehouse/Office: 1 (909) 468-0120

efinity Superstar VEGA-330 LED Horticulture Vegetation (Veg) Light & Driver

Thank you for purchasing an *efinity* brand product. This manual describes the function and warranty of the product and also describes how to use the product. Mounting and installing the product may only be executed by a certified service professional. Please read and understand this manual completely before using the product.

Failure to observe these safety instructions may result in serious injury and will release Visiontech Group, Inc., the owner of the *efinity* brand, and all manufacturers, from all liability.

Superstar VEGA-330



USER MANUAL



Important Safety Information

Installation

Mounting and installation of the *efinity* Superstar VEGA-330 LED Veg Light & Driver may only be executed by a certified service professional in accordance with applicable local laws and regulations. Do not connect this product to an electrical power source before installation. Must wear gloves for protection when installing or using this product.

Environment

This product is intended for use inside horticultural environments and climate-controlled rooms. The product may be used in damp environments but functions optimally when ambient temperatures are between 32 to 95 degrees F/ 0 to 35 degrees C.

Repair

If the product does not function as designed, please contact Visiontech Group, Inc., the owner of the *efinity* brand. Opening or modifying either the LED light fixture or driver without the prior written permission of Visiontech Group, Inc., can be dangerous and will void the product warranty. **ATTENTION!** Always disconnect the LED light fixture and driver from electrical power sources before performing any maintenance.

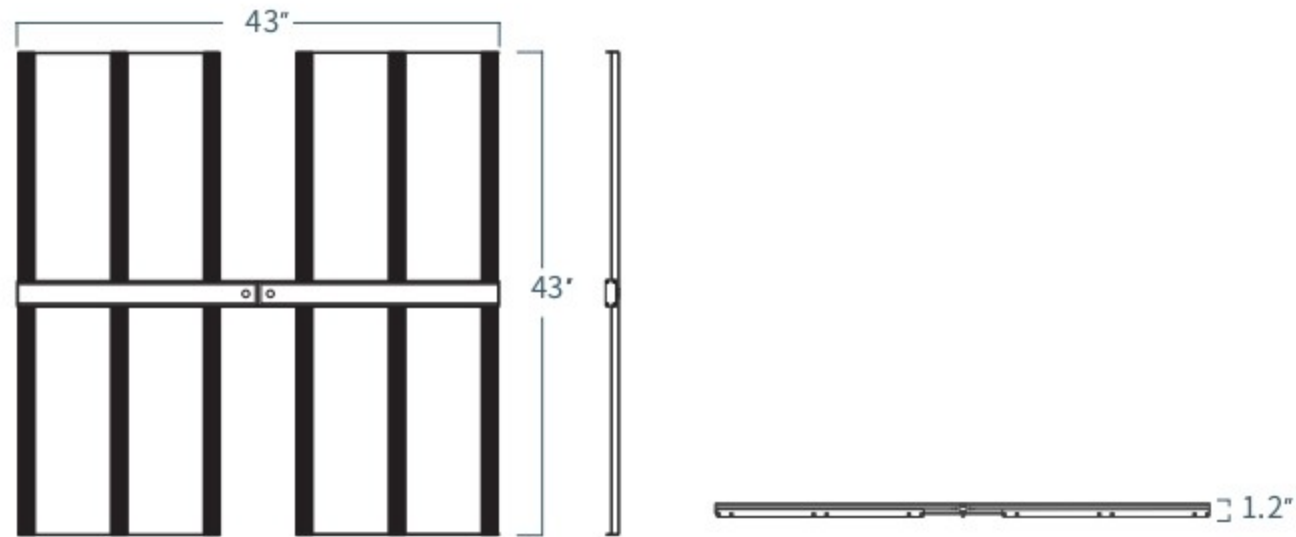
Cleaning

When cleaning the outside of the LED light fixture and driver, or any related components, shut down the electrical power supply, then disconnect the power cords of the fixture and driver from the electrical power source.

Warning

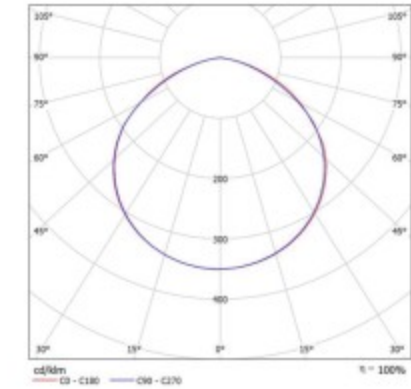
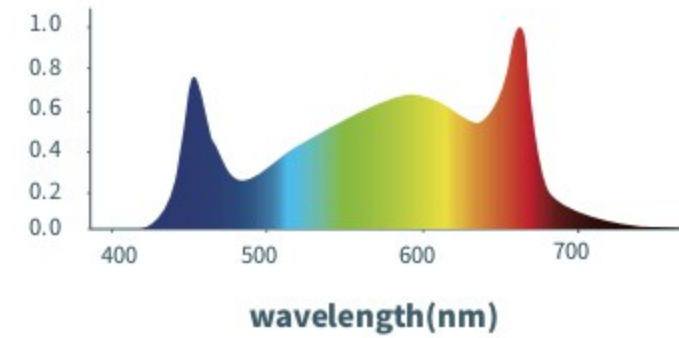
LED horticulture grow lights can cause eye damage. Avoid looking directly at the product when the lights are turned on. Always use protective eyewear whenever near the product when it is tuned on to protect your eyes.

SPECIFICATIONS



SPECTRUM

spectrum



Electrical and Photometric Parameters

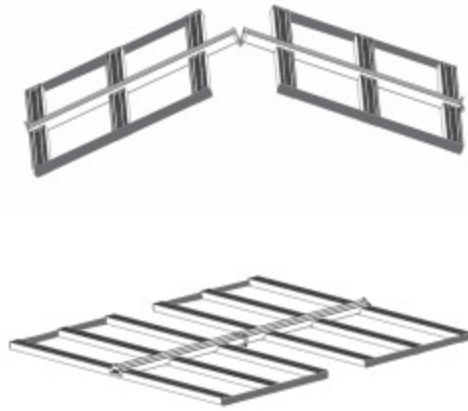
Light Version	Superstar VEGA-330
AC Input Power	335W
Light Source	LED
Spectrum	Customized
Efficacy up to	2.8 μ mol/J
PPF(380-780nm) up to	930 μ mol/s
AC Input Voltage	120-277VAC
Frequency	50/60Hz
Light Distribution	120°
Mounting Height	\geq 6" Above Canopy
Thermal Management	Passive
Max Ambient Temperature	95°F / 35°C
Dimming	PWM
Power Factor	> 0.9
Total Harmonic Distortion	< 10%
Lifetime	> 50,000hrs
Certifications	UL1598,UL8800
IP Rating	IP66
Warranty	5 Years Limited Warranty
Overall Dimensions	43" x 43" x 1.2"
LED Fixture Weight	15lbs
LED Driver Weight	8lbs

MOUNTING INSTRUCTIONS

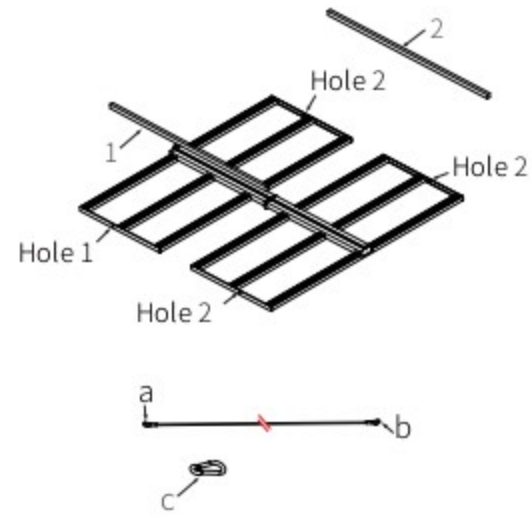
Package Includes:

Parts	Number
330W LED Veg Light	1
LED Driver Box	1
#1 Cable - AC Input	1
#2 Cable - AC Chain	1
#3 Cable - Signal Chain	1
#4 Cable - DC Input	1
Sling - 2ft Sling	6
Carabiner	6
User Manual	1

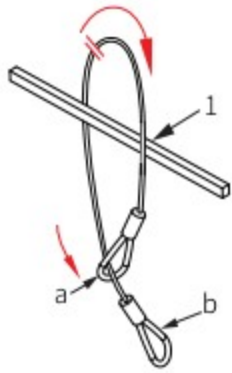
(1) Open/unfold the Light fixture until flat



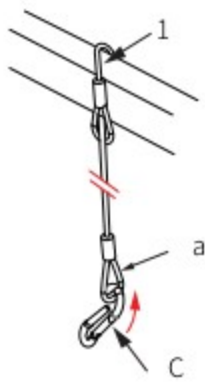
(2) Hang the lamp on two beams



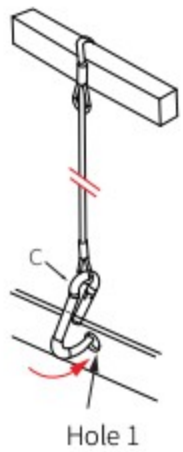
(3) Pass the rope around beam '1' and pass 'b' through the loop 'a'



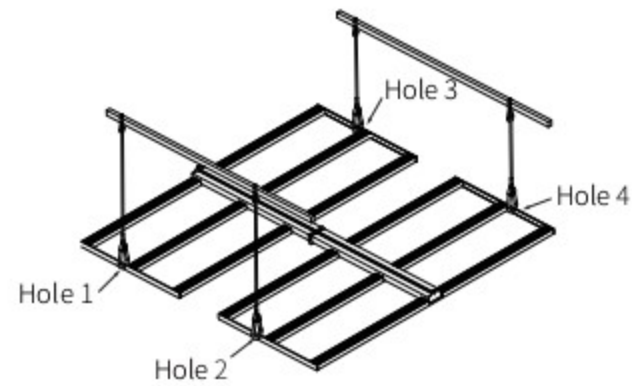
(4) Buckle the carabiner 'c' to the ring 'a'



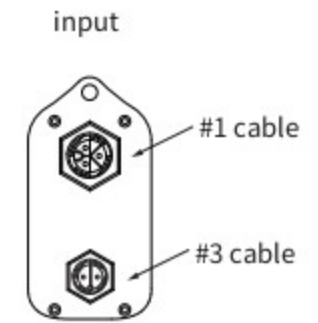
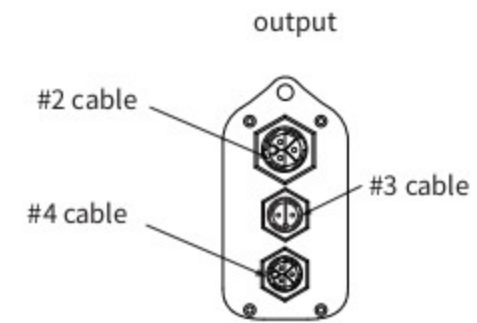
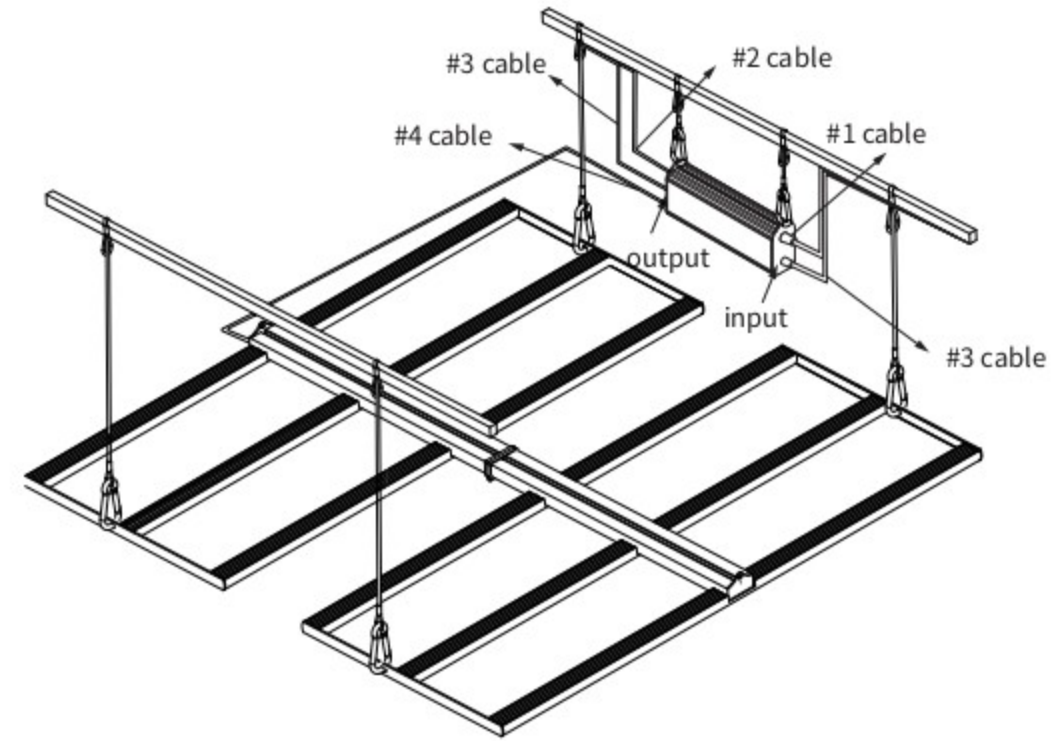
(5) Buckle the latch 'C' to the 'hole 1'



(6) Repeat the action on other three sides



(7) Plug in the adapter according to the corresponding interface



APPLICATION

efinity's Superstar VEGA-330 LED Veg Light & Driver is a high-performance full spectrum fixture designed specifically for horticultural greenhouses and climate controlled indoor rooms. Visiontech Group, Inc., is confident you will be happy with the growing results you achieve with this highly advanced and innovative LED product.

Installation: First, open/unfold the Light fixture until flat. Then hang the light fixture and driver to their respective slings. Lastly, plug in the cables corresponding to their respective inputs.

Hanging Height: For best results, we recommend hanging the *efinity* Superstar VEGA-330 LED Veg Light 1' to 2' above your crop canopy.

How Many Lights: Customized *efinity* light map layouts can be professionally designed for you by Visiontech Group, Inc., upon your request.

Inspection, Maintenance, Repairs:

- (1) Disconnect the LED fixture and driver from the mains before performing any maintenance or repairs.
- (2) Do not connect or disconnect the LED fixture or driver under any electricity load.
- (3) Do not open or disassemble the LED fixture or driver. They do not contain any serviceable parts inside. Opening the LED fixture or driver can be dangerous and will void the warranty.
- (4) Always allow for a cool-down period of at least 30-minutes before touching the LED fixture.
- (5) Do not clean the LED fixture with detergents, abrasives, or any other potentially damaging substances.
- (6) Regularly check the LED fixture and driver for dust or dirt buildup. Clean if necessary. Contamination may cause overheating and decreased performance. Clean the outside of the LED fixture using a dry or damp cloth.
- (7) Regularly check the cables of the LED fixture and driver to ensure they are undamaged.

Storage and Disposal:

- (1) Store the *efinity* Superstar VEGA-330 LED Veg Light & Driver in a dry and clean environment with an ambient temperature of between -4 to 185 degrees F / -20 to 85 degrees C.
- (2) The product must not be discarded as unsorted municipal waste but must be collected separately for the purpose of treatment, recovery, and environmentally sound disposal.

5 Years Limited Warranty Service:

Visiontech Group, Inc., warrants the mechanical and electronic components of this product to be free of defects in materials and workmanship if used under normal operating conditions for a period of five (5) years from the original date of purchase. If the product shows any signs of defects within this time period and such signs are not due to user errors or improper uses, such confirmed defects will be covered under our warranty. If the product is not operating as designed, please contact Visiontech Group, Inc.. Opening or modifying the LED fixture or driver without prior written permission from Visiontech Group, Inc., can be dangerous and will void the warranty.



IMPORTANT

The pages of this User Manual contain important safety and operating instructions. Please carefully read and follow all safety instructions, warnings, and cautions in this manual. Failure to read and follow these instructions, warnings, and cautions may result in severe injury or death to persons and pets or damage to personal property.

Do not dispose of this product or any parts as unsorted municipal waste. Instead, the product and all of its parts must be handed over to applicable authorized collection points for the recycling of electrical and electronic equipment.

Visiontech Group, Inc.
4010 Valley Boulevard, Unit 109
Walnut, California 91789
Toll Free w/in U.S.A.: 1 (888) 420-3694
Warehouse/Office: 1 (909) 468-0120