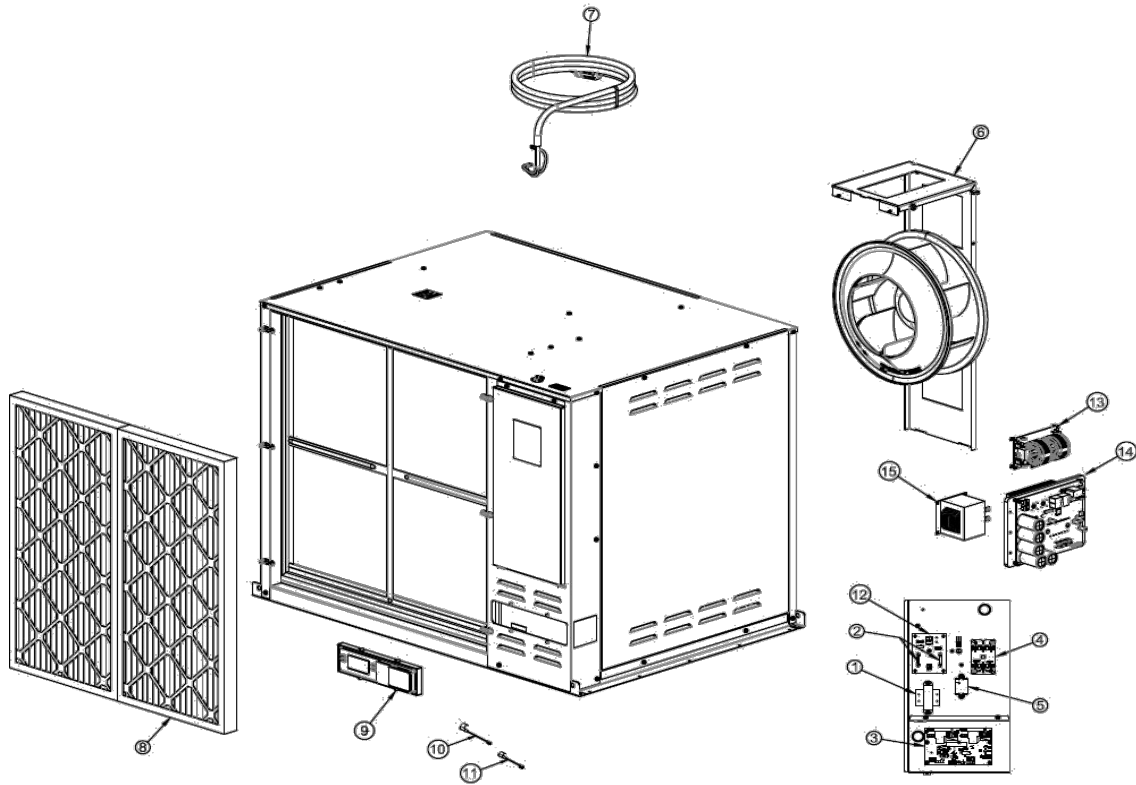


Anden® Model A710V1 & A710V3 Dehumidifiers



No.	Part Description	Qty/Ctn	Part No.
1	Transformer, 40VA, 240V (A710V1) (Replaces Part No. 5784)	1	71000069
	Transformer, 40VA, 277V (A710V3) (Replaces Part No. 5808)	1	71000078
2	Fuse, Class 3AB, 0.4A, 70C, 440V, Slow-Blow	1	71000122
3	Internal Power PCB (Replaces Part No. 5847)	1	71000089
4	Compressor Contactor (Replaces Part No. 5714)	1	71000061
5	Fan Relay (Replaces Part No. 5787)	1	71000072
6	Fan Assembly	1	71000106
7	Cord, SJT 12/3, 6-20P (A710V1) (Replaces Part No. 5849)	1	71000090
	Cord, SJT 12/3, L7-20P (A710V3) (Replaces Part No. 5851)	1	71000091
8	Filter, MERV 11 (6 Pack)	6	5852
9	User Interface (Replaces Part No. 5853)	1	71000093
10	Low Temp Sensor (Replaces Part No. 5814)	1	71000084
11	High Temp Sensor (Replaces Part No. 5815)	1	71000085
12	MOV Board 240V (A710V1) (Replaces Part No. 5854)	1	71000094
	MOV Board 277V (A710V3) (Replaces Part No. 5855)	1	71000095

No.	Part Description	Qty/Ctn	Part No.
13	EMI Filter Board (A710V1) (Replaces Part No. 5893)	1	71000107
	EMI Filter Board (A710V3) (Replaces Part No. 5855)	1	71000096
14	Compressor Drive Board (A710V1) (Replaces Part No. 5894)	1	71000108
	Compressor Drive Board (A710V3) (Replaces Part No. 5857)	1	71000097
15	Choke-Compressor Drive (Replaces Part No. 5858)	1	71000098
Other Parts			
	Digital Dehumidifier Control	1	A77
	P-Trap Kit (Replaces Part No. 5816)	1	71000086
	Fitting, 3/4" MNPT x 3/4" BARB, PVC (Replaces Part No. 5693)	1	71000053
	Drain Tubing, 3/4" ID x 10' L (Replaces Part No. 5740)	1	71000063
	Leveling Feet	1	5789
	Alert Light (Replaces Part No. 5818)	1	71000087
	Duct Kit	1	5859