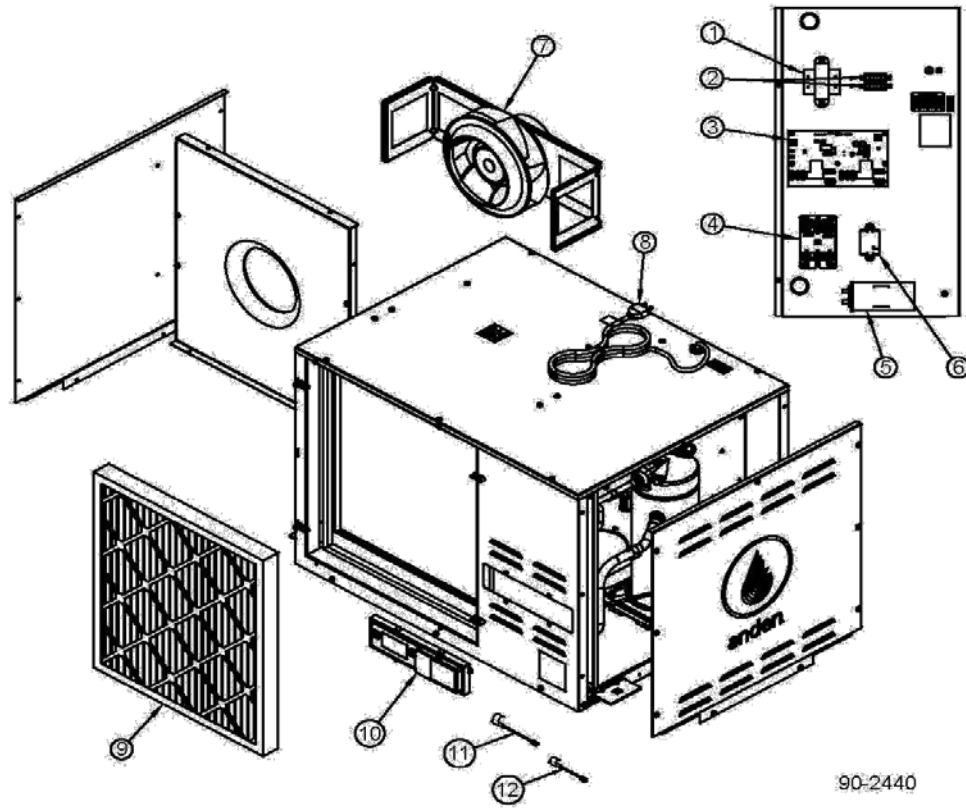


Anden® Model A320V1 & A320V3 Dehumidifiers



90-2440

No.	Part Description	Qty/Ctn	Part No.
1	Transformer, 40VA, 240V (A320V1) (Replaces Part No. 5784)	1	71000069
	Transformer, 40VA, 277V (A320V3) (Replaces Part No. 5808)	1	71000078
2	Fuse, 1A, Slow-Blow (Replaces Part No. 5785)	1	71000070
3	Internal Power PCB (Replaces Part No. 5444)	1	71000026
4	Compressor Contactor (Replaces Part No. 5714)	1	71000061
5	Compressor Run Capacitor 45MFD, 370VAC (A320V1) (Replaces Part No. 5458)	1	71000037
	Compressor Run Capacitor 60MFD, 370VAC (A320V3) (Replaces Part No. 5809)	1	71000079
6	Fan Relay (Replaces Part No. 5787) (Replaces Part No. 5787)	1	71000072
7	Fan Assembly (Replaces Part No. 5810)	1	71000080
8	Cord, SJT 12/3, 6-20P (A320V1) (Replaces Part No. 5811)	1	71000081
	Cord, SJT 12/3, L7-20P (A320V3) (Replaces Part No. 5812)	1	71000082
9	MERV 11 Replacement Filter	6	5813

No.	Part Description	Qty/Ctn	Part No.
10	User Interface (Replaces Part No. 5738)	1	71000062
11	Low Temp Sensor (Replaces Part No. 5814)	1	71000084
12	High Temp Sensor (Replaces Part No. 5815)	1	71000085
Other Parts			
	Digital Dehumidifier Control	1	A77
	P-Trap Kit (Replaces Part No. 5816)	1	71000062
	Fitting, 3/4 MNPT X 3/4 Barb, PVC (Replaces Part No. 5693)	1	71000053
	Drain Tubing, 3/4" ID X 10' LG	1	71000063
	Duct Kit	1	5807
	Leveling Feet	1	5789
	Alert Light (Replaces Part No. 5818)	1	71000087
	Hanging Bracket Kit (Replaces Part No. 5819)	1	71000088
	Low Profile Condensate Pump with 20' Condensate Hose	1	A4856