

# Technical Specifications Longs Peak



## Product Scope & Intended Use

The Pikes Peak Press is intended to be used to extract fluid, such as oil, from organic material by means of heat and force without the use of solvents. This product is composed of two independently heat controlled platens, one fixed and one driven by a pneumatic cylinder for applying force. The organic material is placed inside a filter element and pressed between a collection barrier material such as parchment or PTFE sheets.

## What's Included

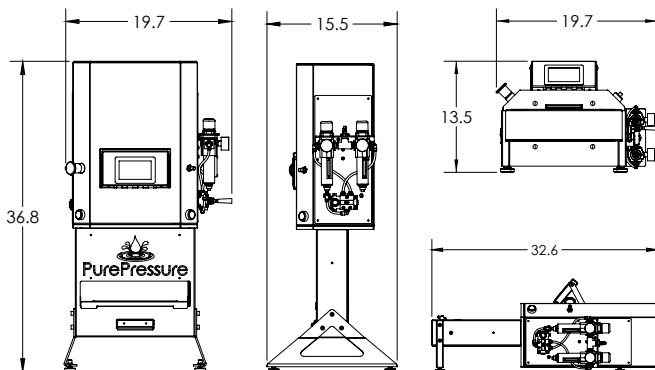
- LED capacitive touchscreen
- Two button safety start
- Emergency stop
- Plate speed actuation dial
- Compressed air filter / regulator(s)
- Pressure toggle for ramping control \*
- Parchment Clips
- Vertical orientation legs (2x)
- Horizontal orientation legs (2x)
- Leveling feet (4x)
- Industrial male air fitting (1/4")
- Power cable

\* Only included with the Dual Pressure Model

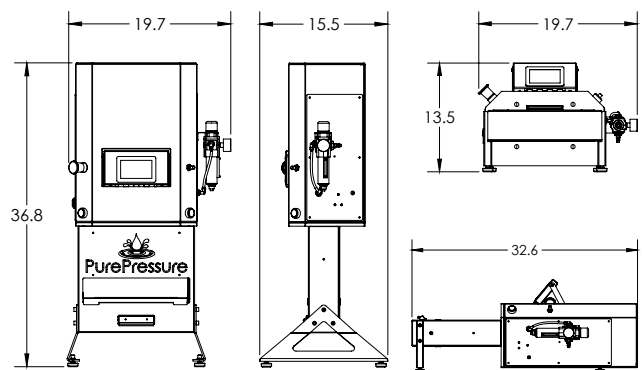
Specification	Dual & Auto Pressure Models
<b>Weight</b>	130 lb
<b>Overall Dimensions</b> (Depth x Width x Height)	<b>Horizontal:</b> 32.6" x 19.7" x 13.5" <b>Vertical:</b> 15.5" x 19.7" x 36.8"
<b>Input Voltage †</b>	120 / 240 VAC
<b>Fuses (2x)</b>	<b>Type:</b> Fast Acting 250 V <b>Current:</b> 10A <b>Dimensions:</b> 5mm x 20mm
<b>Compressed Air Requirements</b>	<b>PSI:</b> 5 - 140 CFM <b>2.7 or greater dry clean air</b>
<b>Pneumatic Cylinder Maximum Force Output</b>	15,300 lb @ 140 PSI
<b>Frame &amp; Enclosure Metal</b>	A36 Steel
<b>Heat Plates</b>	<b>Sizes:</b> 10" x 3" <b>Material:</b> 6061 Aluminum <b>Maximum Temperature:</b> 300 °F

† Operating voltages are set at the factory and are not configurable by the end user.

## Dual Pressure Dimensions (in)



## Auto Pressure Dimensions (in)



## Product Certification Statement

PurePressure has contracted a Third-Party Product Safety Test House to evaluate this product for electrical compliance to UL 763 for Motor-Operated Commercial Food Preparing Machines.

All commercial presses are currently built to meet the electrical safety requirements outlined in UL763 and the NEC 2017. Field evaluations have been successfully completed for both the US and Canada. Our NRTL to apply the Field Evaluation Label is QPS out of Toronto, Canada.

Heat press oil extraction is not required to comply with UL 1389 for plant oil extraction equipment for installation and use in ordinary (unclassified) locations and hazardous (classified) locations, as stated in Paragraph 1.6 of UL 1389.




 | [gopurepressure](https://www.gopurepressure.com)  
[purepressure.com](https://www.purepressure.com)

Version 1.1 - 10/1/2020