

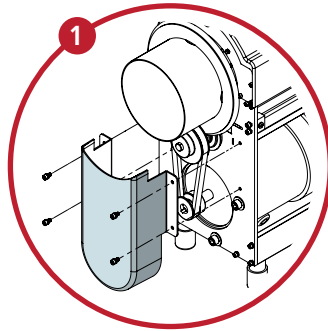
ASSEMBLY - TABLETOP SPEED CONTROL BOX

- * The Speed Control Box is not waterproof. Before washing your trimmer, remove the control box using the wing nuts and quick disconnect cable.
- * The Speed Control Box comes with a 2 years warranty.
- * Make sure the machine is unplugged.

STEP 1

REMOVE BELT COVER.

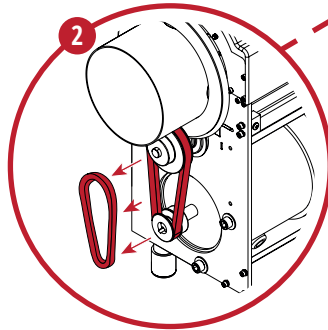
5/32" T-HANDLE ALLEN WRENCH.



STEP 2

USE A PRYBAR OR SCREW-DRIVER TO REMOVE BELT FROM PULLEYS.

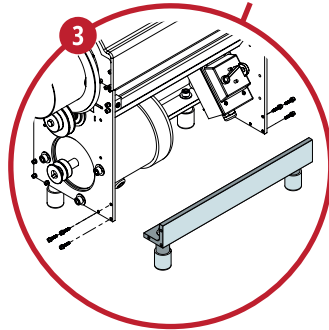
TO AVOID DAMAGE, DO NOT PRY AGAINST BEARING.



STEP 3

REMOVE FRAME ANGLE.

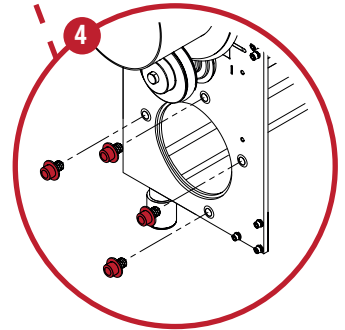
9/64" T-HANDLE ALLEN WRENCH.



STEP 4

REMOVE MOTOR BY REMOVING THE FOUR MOUNT BOLTS.

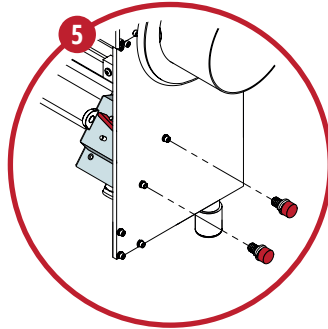
5/16" T-HANDLE ALLEN WRENCH.



STEP 5

REMOVE SWITCH BOX BY REMOVING THE SWITCH FACE-PLATE. USE A WRENCH AND ALLEN WRENCH TO REMOVE THE 2 MOUNT SCREWS.

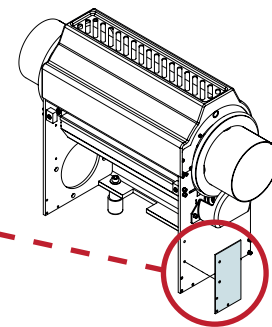
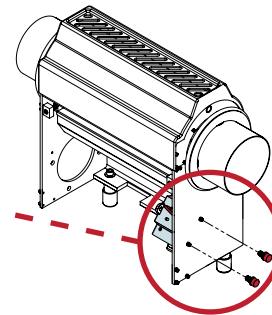
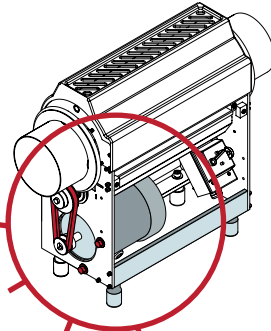
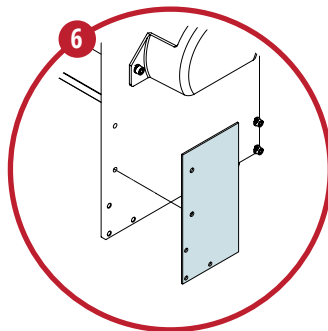
5/32" T-HANDLE ALLEN WRENCH.



STEP 6

USE SUPPLIED DRILL TEMPLATE AND DRILL BIT TO DRILL 2 HOLES ON THE SIDE PLATE OPPOSITE OF THE MOTOR.

13/64" DRILL BIT.

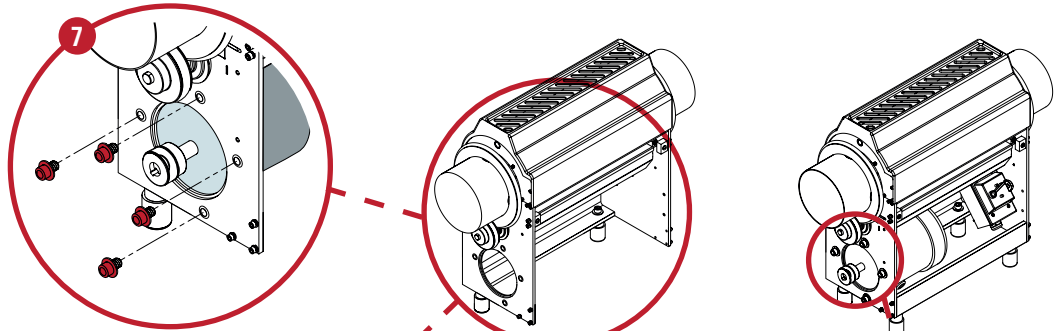


ASSEMBLY - TABLETOP SPEED CONTROL BOX

STEP 7

INSTALL NEW MOTOR WITH NEW PULLEY USING THE FOUR MOUNT BOLTS.

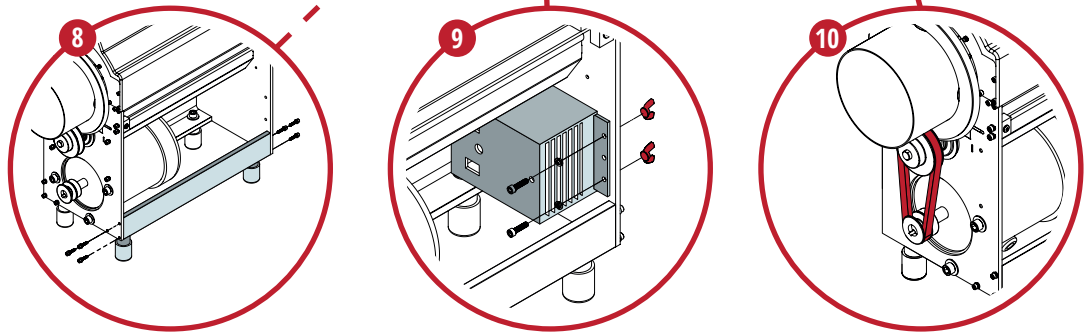
5/16" T-HANDLE ALLEN WRENCH.



STEP 8

RE-INSTALL FRAME ANGLE.

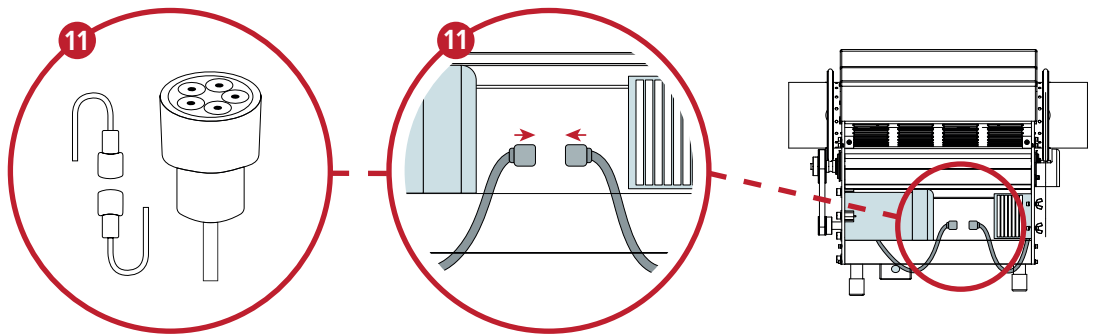
9/64" T-HANDLE ALLEN WRENCH.



STEP 9

INSTALL THE CONTROL BOX USING THE 2 HOLES THAT WERE DRILLED WITH 2 NEW SCREWS AND WING NUTS. ORIENTATE CONTROL BOX AS SHOWN.

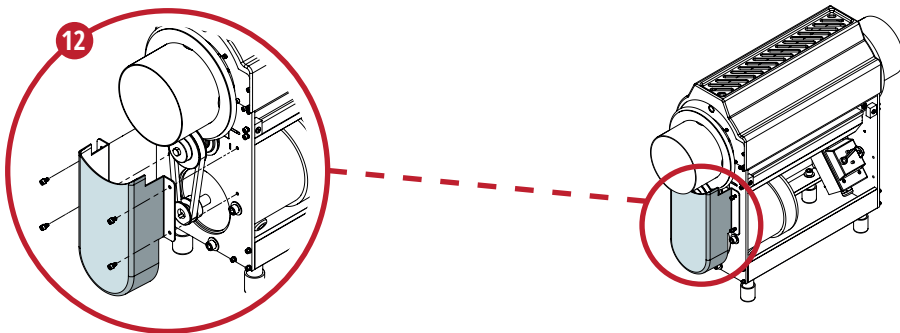
5/32" T-HANDLE ALLEN WRENCH.



STEP 10

INSTALL THE NEW BELT ONTO THE PULLEYS USING A PRY-BAR OR SCREWDRIVER. ADJUST PULLEY ALIGNMENT SO THAT BELT RUNS STRAIGHT.

TO AVOID DAMAGE, DO NOT PRY AGAINST BEARING.



STEP 11

CONNECT THE CONTROL BOX TO THE MOTOR.

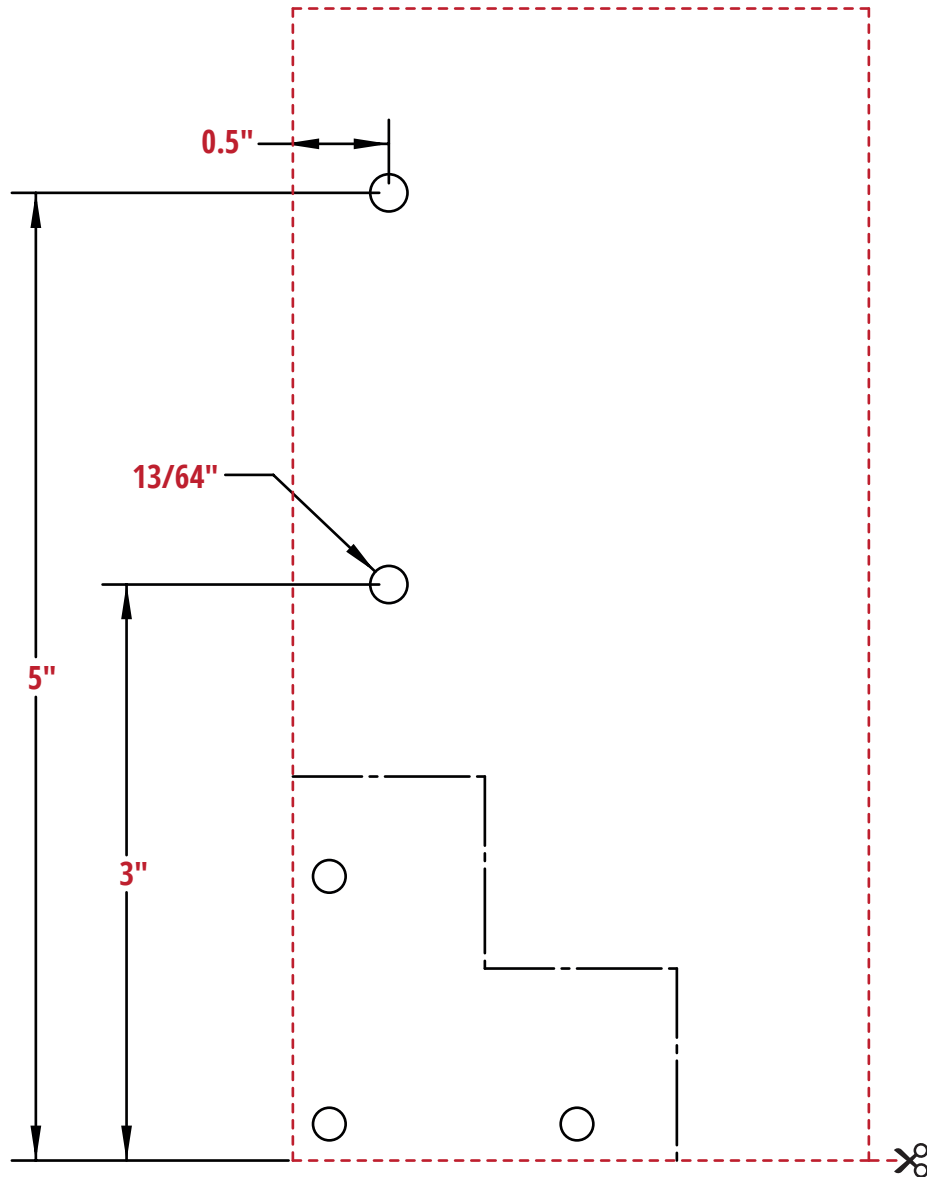
STEP 12

RE-INSTALL BELT COVER.

5/32" T-HANDLE ALLEN WRENCH.

ASSEMBLY - TABLETOP DRILL TEMPLATE

* Template made to scale.



* ONLY CUT
ALONG RED
DOTTED LINE.

TOOLS REQUIRED

SIZE	TOOL ITEM
	Drill
13/64"	Drill Bit (Included)
5/32"	T-Handle Allen Wrench
9/64"	T-Handle Allen Wrench
5/16"	T-Handle Allen Wrench

LEARN HOW NOW

