



# CENTURIONPRO

ELITE TRIMMING TECHNOLOGIES



**SEW**  
EURODRIVE



## OWNERS MANUAL

**HP MINI BUCKER**

# !! IMPORTANT !!

## WARRANTY

**YOU MUST REGISTER YOUR BUCKER WITHIN 30 DAYS OF YOUR PURCHASE**

**YOU HAVE JUST MADE A SMART DECISION BY PURCHASING THE BEST BUCKER IN THE WORLD. FAILURE TO REGISTER YOUR BUCKER WITHIN 30 DAYS OF PURCHASE WILL VOID YOUR 5 YEAR WARRANTY. PROTECT YOUR INVESTMENT. THIS PROCESS WILL ONLY TAKE 3 MINUTES TO COMPLETE.**

### REGISTER NOW!



[cprosolutions.com/warranty](http://cprosolutions.com/warranty)

### WARRANTY TERMS AND CONDITIONS

CenturionPro Solutions (the manufacturer) will repair or replace, without charge, any parts proven defective in material or workmanship for a period of 5 years on the Bucker Machine. Regular wear and tear of consumable parts, including but not limited to gears, springs, bearings, cut plates and rollers will not be covered under this warranty.

The warranty period will begin on the date the machine(s) is purchased by the initial purchaser. Product or component warranty defects can be remedied at any authorized service dealer, or directly at the manufacturer. Any service work performed, and deemed valid due to a defective part, will be free of charge. CenturionPro Solutions reserves the right to use any manufacturer-approved replacement part for the warranty repair.

The machine or defective part must be returned to the manufacturer for analysis or replacement at the cost of the owner. Parts deemed to be covered under the warranty will be provided for free excluding shipping costs.

Do not return the machine to the place of purchase for repair or warranty claims, unless you have been authorized by CenturionPro Solutions to do so. The place of purchase can only sell replacement parts and will not repair any warranty issues, unless it is noted as an authorized repair dealer and has been authorized to work on your machine.

IF WARRANTY REPAIR IS REQUIRED, PLEASE CONTACT THE MANUFACTURER AT 1-855-535-0558 OR <a href="mailto:techsupport@cprosolutions.com">techsupport@cprosolutions.com</a> AND PROVIDE THE FOLLOWING INFORMATION:
1. <b>Model and serial number - Located on the back side</b>
2. <b>Proof of purchase date</b>
3. <b>A copy of the original Warranty Registration Card or Online Submission</b>
4. <b>Details of the defect or problem (include photos and videos)</b>

YOU MAY BE DENIED WARRANTY COVERAGE IF YOUR MACHINE HAS FAILED DUE TO ANY OF THE FOLLOWING:	
Product abuse	Normal wear
Product neglect	Accidental damage
Improper maintenance	Unapproved modifications
Improper electrical connection	

### LIABILITIES

The manufacturer assumes no risk and shall be subject to no liability for damages or loss resulting from the specific use or application made of the product. In no event will the manufacturer be liable for any special, incidental or consequential damages (including loss of use, loss of profit and claims of third parties) however caused - whether by negligence of the manufacturer or otherwise. If you have any questions regarding your warranty rights and responsibilities, please contact the manufacturer.

### LEGALITIES

CenturionPro Bucker machines are intended for use on legal aromatic herbs and hops. Please check all municipal, provincial/state and federal laws and regulations before using these machines. CenturionPro Solutions does not promote or condone the use of these products in any way that may be deemed illegal. Allow only persons who understand this disclaimer to operate the machines.



## IMPORTANT SAFETY INFORMATION

### CENTURION PRO SOLUTIONS: HP BUCKERS

The HP Buckers are high-powered machines that require special safety precautions to be practiced while in operation to reduce the risk of personal injury. Improper use of the HP Bucker may cause serious or fatal injury. Please read the precautions and warning labels before using the HP Bucker.

**DO NOT LEND OUT OR RENT YOUR HP BUCKER WITHOUT THIS OPERATING MANUAL.  
A FIRST TIME USER SHOULD OBTAIN PROPER INSTRUCTION PRIOR TO USE.**

**OPERATING THE HP BUCKER WITHOUT READING THE INSTRUCTIONS THAT ACCOMPANY A CAUTIONARY LABEL (IE. "DANGER", "CAUTION", "WARNING", OR "NOTICE" SYMBOL), MAY RESULT IN SERIOUS OR FATAL INJURY.**

#### GENERAL

- Do not move, disassemble, clean or inspect the Bucker while the power is still connected to the machine.
- The Buckers are very heavy - Never lift alone and always use proper lifting techniques.
- Replacement parts are specific to the Buckers and must be purchased from an authorized dealer only.
- Substituting factory parts with non-approved third-party replacements may result in damage to the machine or bodily harm.
- Keep all individuals a safe distance from the work area. Do not operate the machine around children.
- Do not remove safety labels. Replace any and all labels if they become damaged or obscured

#### CONNECTION

- As with home appliances, HP Buckers must be used in connection with a properly grounded receptacle.
- Never plug in or power up your Bucker machine if the protective shrouds are removed.
- Do not use extension cords smaller than 12 gauge or longer than 7.6m (25ft) in length to power the Bucker.
- Using unrated extension cords can cause motor overheating and premature failure.

#### OPERATION

- HP Buckers comes from the manufacturer set with the optimal roller settings. The initial set up will show assembly instructions.
- Safety glasses and dust masks must be worn at all times when operating Buckers.
- Do not operate any Bucker machine while tired or under the influence of medication, drugs or alcohol.
- Do not put anything other than plant material into the Bucker. Doing so may cause damage to the machine or result in bodily harm.
- Operate the Bucker in a well ventilated area in order to prevent overheating.

#### MAINTENANCE

- Never leave the HP Bucking system running unattended.
- Never conduct maintenance or cleaning while the machine is plugged in.
- Do not modify or adapt any part of the Bucker or its accessories. Doing so may cause irreversible damage to the machine or result in bodily harm.

**FOR OPTIMAL PERFORMANCE AND LIFE, THE BUCKER MUST BE CLEANED AFTER DAILY USE.**

**SEW**  
EURODRIVE



# WITNESS THE RISE

**RELIABLE • INDUSTRIAL • SIMPLE • EFFICIENT**

# PLANT PREPPING 101



## 3 STEPS FOR OPTIMAL PROCESSING



### ENVIRONMENT PREPARATION

- Ensure adequate space
- Review electrical requirements
- Have adequate bins for product transport
- Cooler temperatures in processing room is beneficial



### PLANT PREPARATION

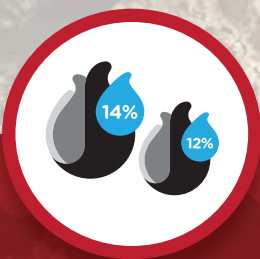
- Cut main stalk
- Separate each individual stem (no 'y' junctions)
- Leave 3" of stem for clearance into machine
- Ensure clean angled cuts for precise feeding



### FEEDING

- Keep prepped product stem side up for efficiency
- Size the stem to fit the ideal hole
- Feed end first into machine
- Use variable speed control to adjust flow

## DRY BUCKING TIPS



### MOISTURE CONTENT

- Moisture content is critical for ensuring minimal damage to the flower
- Flower that is too dry will fall apart
- Flower that has too much moisture will compact and dent
- For best results with dry bucking, moisture content should be between 12% and 14% when using a machine



### BUD CONSISTENCY

- Buds should be "springy" - when the flower is squeezed between two fingers it will rebound and return to its original shape
- Both big and smaller stems must be pliable when bucking with a machine such as a GC or HP System
- Pliable stems ensures that they fold and are stripped upon entering the bucking machine. If too brittle, they will simply break off and will not be properly stripped




### MACHINE SPEED


- Slowing the machine speed for dry bucking will lead to a better result
- Dry bucking at 1/2 or 1/3 of the regular speed will ensure better results
- The variable speed control offered by our HP Bucker is a great feature when bucking dry material

## TABLE OF CONTENTS

<b>WARRANTY</b>	<b>2</b>
<b>IMPORTANT SAFETY INFORMATION</b>	<b>3</b>
<b>PLANT PREP 101 - 3 STEPS FOR OPTIMAL PROCESSING, DRY BUCKING TIPS</b>	<b>4</b>
<b>TABLE OF CONTENTS</b>	<b>5</b>
<b>COMPONENT OVERVIEW</b>	<b>6</b>
<b>CONTROLS</b>	<b>7</b>
<b>ASSEMBLY TO STAND</b>	<b>8</b>
<b>CLEANING &amp; MAINTENANCE</b>	<b>9</b>
<b>BUCKER SPECIFICATIONS</b>	<b>10</b>
<b>GENERAL OPERATIONS</b>	<b>11</b>
<b>TROUBLESHOOTING</b>	<b>12</b>
<b>FREQUENTLY ASKED QUESTIONS</b>	<b>12</b>
<b>RETURN/REFUND POLICY</b>	<b>12</b>
<b>NOTES</b>	<b>13</b>

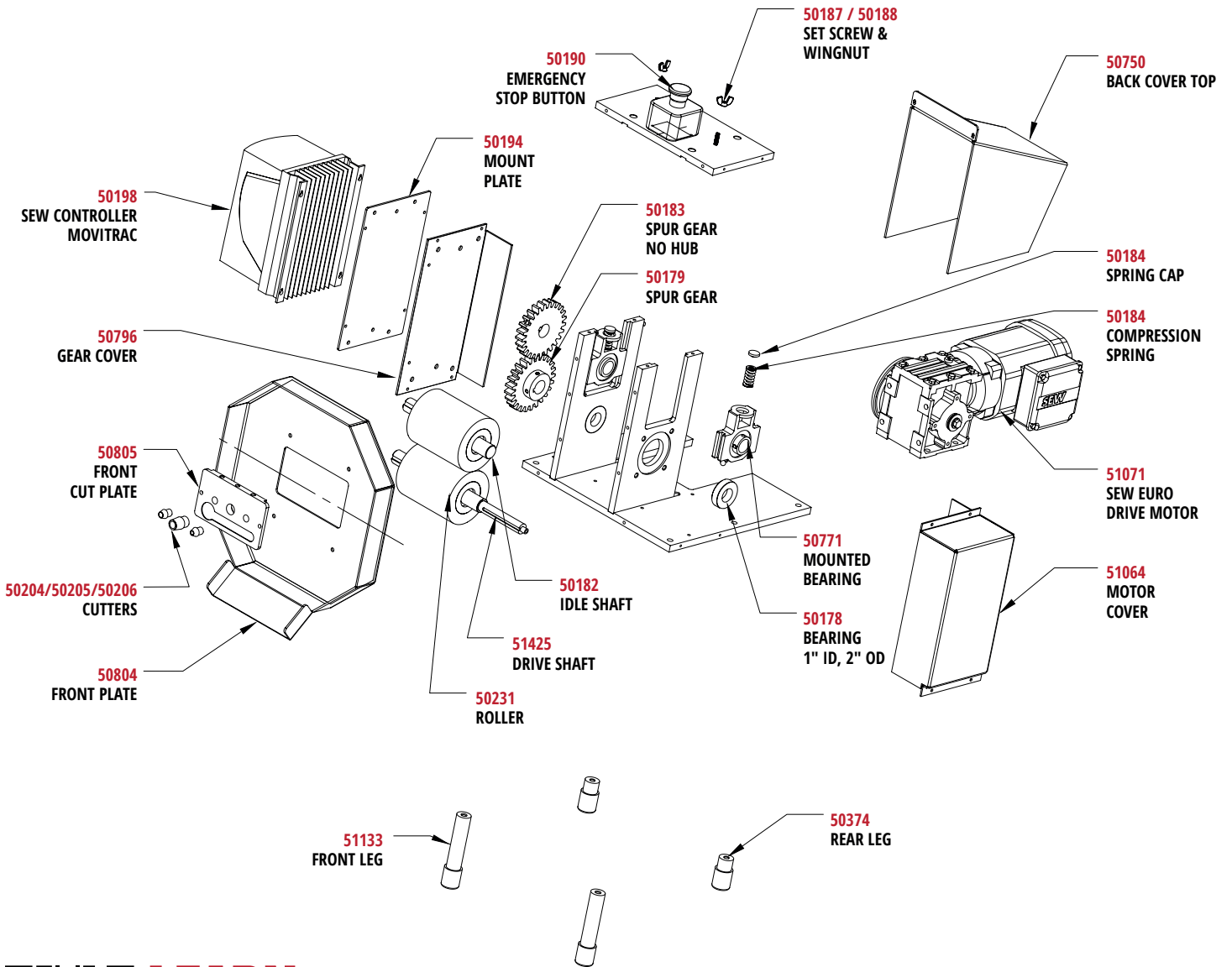
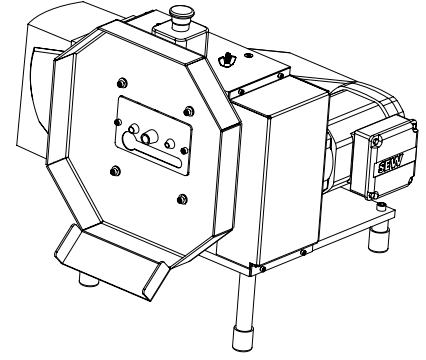
HPM BUCKER CONNECTIONS	
CANADA, USA, MEXICO & JAPAN CONNECTOR PLUG REGULAR WALL OUTLET	

HPM ADDITIONAL REQUIREMENTS	
EXTENSION CORD	14 AWG (min AWG SIZE)
	7.6m/25ft MAX LENGTH

HPM BUCKER CONNECTIONS	
EUROPE, SOUTH AMERICA & ASIA CONNECTOR PLUG REGULAR WALL OUTLET	

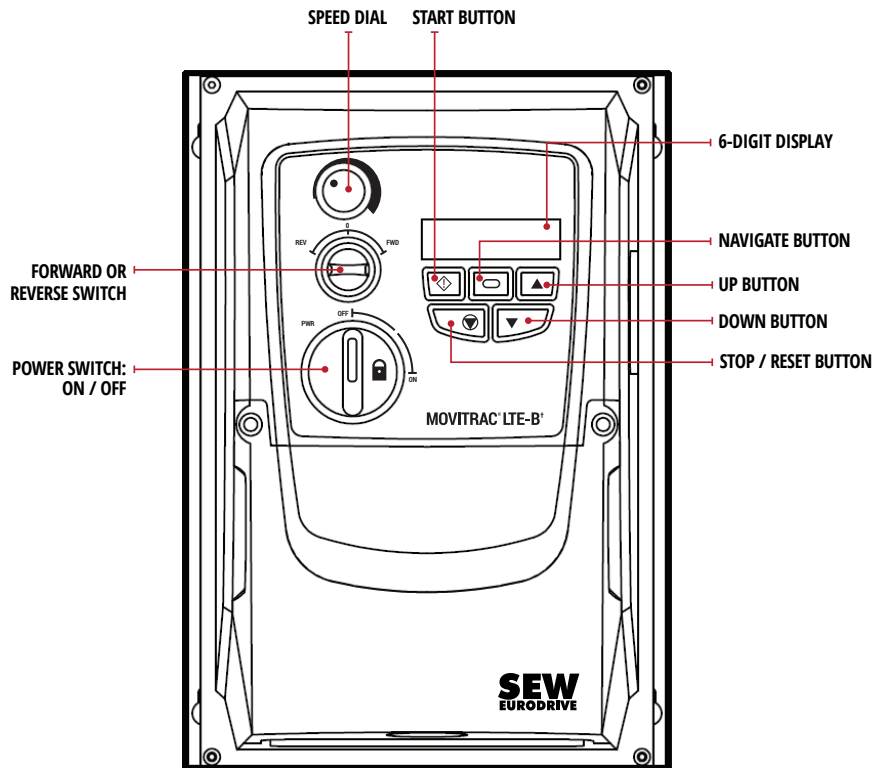
AMOUNT	CONTENTS
1 x	HP MINI BUCKER
1 x	MANUAL
4 x	1/4"- 20 3/4" SOCKET HEAD BOLT
4 x	FLAT RUBBER WASHER

# COMPONENT OVERVIEW

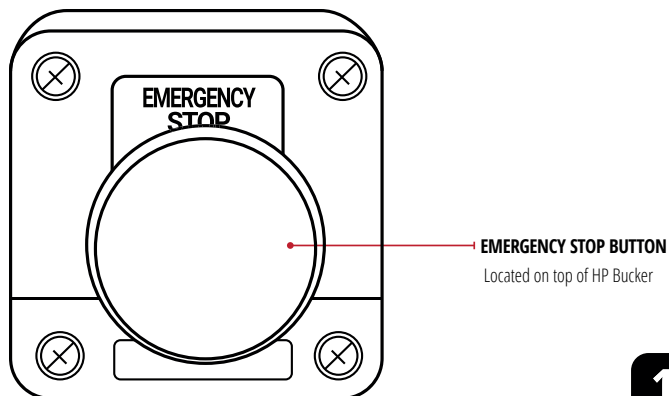


# CONTROL PANEL OVERVIEW

**THE CONTROL PANEL COMES FACTORY SET FOR OPTIMAL PERFORMANCE. ASIDE FROM USING THE SPEED DIAL FOR SPEED CONTROL, WE DO NOT RECOMMEND ADJUSTING ANY SETTINGS WITHOUT SPEAKING TO A CENTURIONPRO TECH SUPPORT REP.**



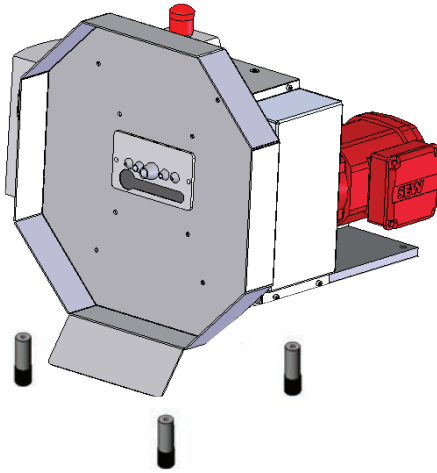
# EMERGENCY STOP BUTTON OVERVIEW



## ASSEMBLY TO STAND

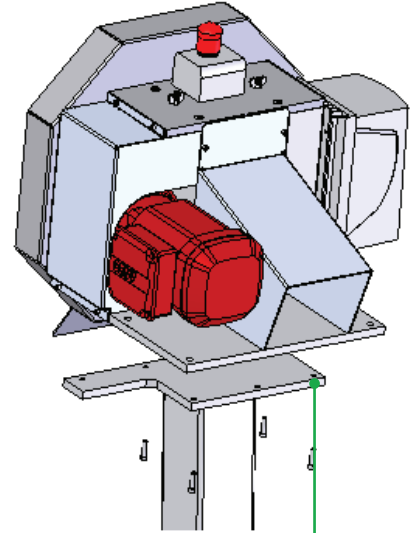
### STEP 1: REMOVE LEGS

Unscrew legs from  
Bucker (HPM only).

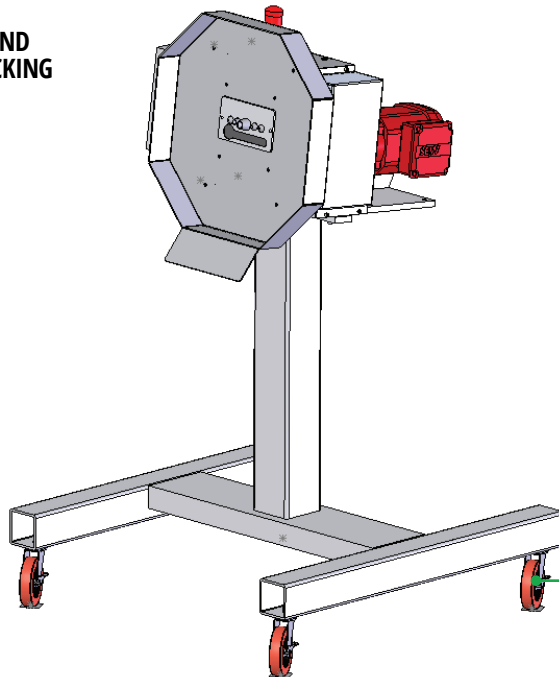


### STEP 2: MOUNT BUCKER ONTO STAND

A) Line up existing holes of the  
bucker to the holes on the  
stand plate. Attach using:  
6 - 3/16" hex top  
1/4"-20 x 1.25" bolts  
Repeat 3x for the Triple Stand



### STEP 3: PLUG IN AND START BUCKING



\*\*Optional Off-road tire can  
be bolted onto stand



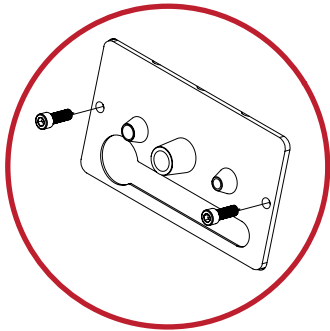


## CLEANING & MAINTENANCE

\* Ensure machine is unplugged before cleaning.  
Avoid getting bearings and motor wet.

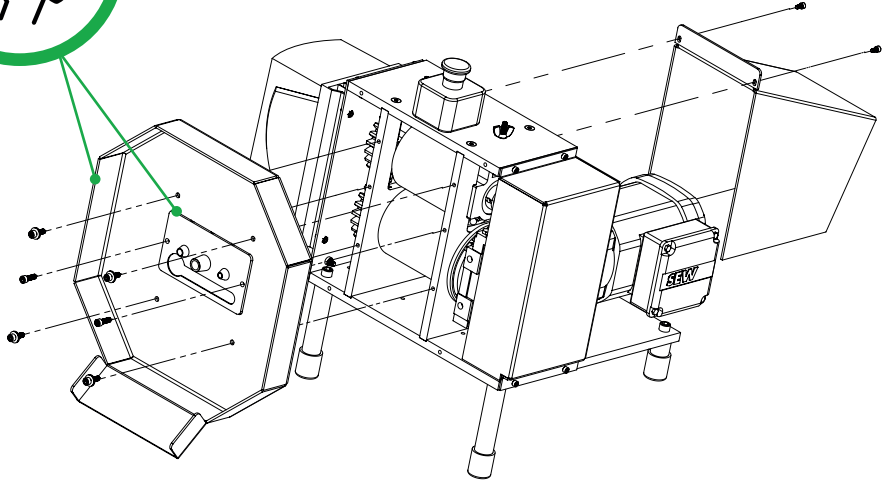
### STEP 1: REMOVE CUT PLATE.

- Unscrew 2 - 3/16" bolts from the front cut plate to remove.
- Wipe cut plate with 70% Isopropyl alcohol.



### STEP 2: REMOVE FRONT & BACK TOP PLATES.

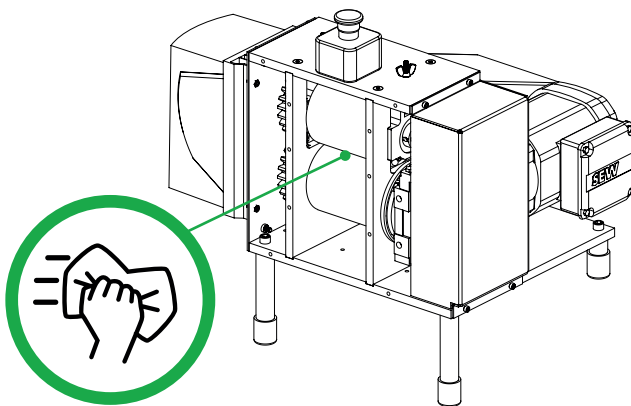
- Unscrew 8 - 3/16" bolts to remove faceplate.
- Unscrew back top plate.
- Wipe front plate with 70% Isopropyl alcohol.



### STEP 3: CLEAN ROLLERS.

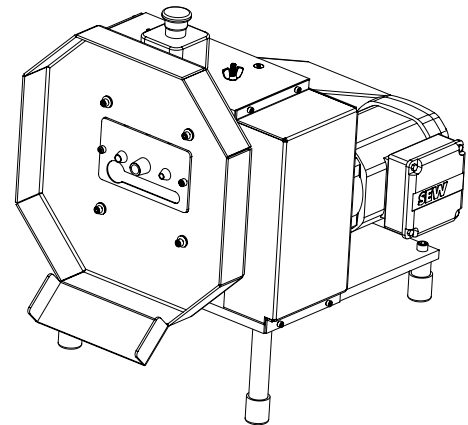
- Clean out any debris within the bucket.
- Wash rollers with hot water and soap. Avoid bearings, gears and motor.
- Wipe down using a soft cloth, making sure the machine is completely dry.

\* If needed repeat this step until completely clean. A nylon brush scraper may be used for stubborn areas.



### STEP 4: REASSEMBLE BUCKER.

Re-assemble bucket in reverse order, checking that all bolts and screws are tightened.



**LEARN  
HOW NOW**

**FOR OPTIMAL PERFORMANCE AND LIFE, THE BUCKER  
MUST BE CLEANED AFTER DAILY USE.**

## HPM BUCKER SPECIFICATIONS



HPM BUCKER	
Input Voltage	NA: 120V, 60Hz Single Phase EU, AUS: 240V, 50Hz Single Phase
Current Draw	NA: < 6A Operating EU, AUS: < 3A Operating
Drive Motor	0.75HP, IP54   1690 RPM
Variable Speed Control	Yes
Weight	97lbs / 44kg
Length	22in / 56cm
Width	16in / 41cm
Height	20in / 51cm
Circuit Breaker Required	NA: 15A/120V EU, AUS: 15A/220V
Warranty	5 Years

HPM ADDITIONAL REQUIREMENTS	
EXTENSION CORD	14 AWG (min AWG SIZE)
	7.6m/25ft MAX LENGTH

HPM BUCKER FEATURES	
Feed Types	Wet/Dry
Feed Entry Sizes	3-hole (1/4", 3/8", 1/2")
Feed Throughput	+125 lbs/hr (Wet)   +25 lbs/hr (Dry)
Roller Sets	Neoprene Rubber
Reverse Operation	Yes
Duty Cycle	Continuous
Pull Speed	10-30 in/s
Pull Strength	> 400 lbs
GMP Compliant*	Yes
UL Compliant*	Yes
CE Compliant*	Yes
RoHS Compliant*	Yes
Primary Material	304 Stainless Steel / Aluminum



## GENERAL OPERATIONS

### PREPPING YOUR PLANT: 2 STEPS FOR OPTIMAL PROCESSING

#### 1) ENVIRONMENT PREPARATION

- Ensure adequate space
- Review electrical requirements
- Have adequate bins for product transport
- Cooler temperatures ( below 15 ° C ) in processing room is beneficial

#### 2) PLANT PREPARATION

- Cut main stalk
- Separate each individual stem (no 'Y' junctions)
- Leave 3" of stem for clearance into machine
- Ensure clean angled cuts for precise feeding
- Keep prepped product stem side up for efficiency
- Size the stem to fit the ideal hole
- Feed end first into machine
- Use variable speed control to adjust flow

### CLEANING

A thorough cleaning of the HP Bucker should be performed after each use. Any resin build-up on the machine attracts more resin, compounding the problem. Build-up can cause decreased performance, overheating and could trip your circuit breaker. Future cleaning also becomes more difficult if build-up is given a chance to dry out and harden. Operating the HP Bucker in a cold environment will also reduce resin build-up.

After removing front and back plates, rollers can be cleared using hot water, or wiped with 70% isopropyl alcohol. Repeat 2-3 times to soften the resin, then remove debris. Any stubborn areas, may require scrubbing with a plastic scraper (do not use a metal scraper). Plant matter build-up is the most obvious sign that more attention is needed in a particular area. Dry the machine with compressed air or a soft cloth.

#### Directions for cleaning:

1. Make sure Bucker is turned off
2. Using provided tools, remove Front Plate and Back top plate
3. Wipe down front plate liberally with 70% isopropyl alcohol
4. Wipe down using a soft cloth, making sure the machine is dry completely
5. Clear out any debris from within the Bucker
6. Spray rollers liberally with 70% isopropyl alcohol
7. Wipe down using a soft cloth, making sure the machine is dry completely
8. Reassemble according to "Cleaning and Maintenance" section

### MATERIALS NEEDED

- Tool kit provided with Bucker
- Brush / Plastic scraper
- Spray bottle filled with 70% isopropyl alcohol
- Soft cloths

### INSPECTION

**Inspection of the HP Bucker should be conducted prior to each use following these steps:**

1. Unplug the Bucker and visually inspect all of the components for wear, damage and plant matter build-up
2. Remove the front plate and back top plate. See "Cleaning and Maintenance" section for instructions
3. Inspect the rollers for damage or cracking
4. Ensure the rollers spins freely
5. Visually inspect the blower and ensure the Bucker is free of loose debris

### MACHINE MAINTENANCE

The HP Bucker is a precision machine. It is essential that it is operated and maintained with this in mind. The machine has been adjusted and tested by the manufacturer prior to shipping to ensure optimal performance. However, it is important to inspect the machine at initial start-up and after each use to ensure that no damage or plant material build-up has occurred and that the rollers spin freely.

In addition, it is highly recommended to clean the machine at the end of every use. This ensures that resin does not build-up and affect performance. This is especially important if the machine has been stored for an extended period of time.

Resins and other plant by-products will build up and harden, becoming difficult to remove.

### NOTE

- There are a series of holes located on the front of the top plate for bucking
- Stems are fed through the holes of the machine by hand
- Each plant must have 3 inches of base stem to clear the buckers
- Please note all strains run differently and denser strains may need the top colas taken off before being run through the machine.

## TROUBLESHOOTING

### 1) MOTOR IS VERY HOT

The motor is designed to operate at higher temperatures, avoid contact with the motor during regular operation. The motor is thermally fused and will shut down automatically if overheating occurs

### 2) MACHINE IS JAMMED, OR MISFED WITH PLANT MATTER

This can happen when too large of a branch is put through the machine. Press and hold the reverse pulse button to rotate the rollers backwards while pulling on the branch.

### 3) THERE IS A GRINDING SOUND COMING FROM THE MACHINE

This can be Caused by worn out bearings, misaligned gears or improperly installed components. We recommend contacting tech support for assistance.

[techsupport@cprosolutions.com](mailto:techsupport@cprosolutions.com)

### 4) THE PULL FORCE SEEMS WEAK

This could be caused by excessive debris build-up in the rollers. Disassemble, clean and inspect machine to determine the issue.

### 5) ROLLERS ARE SLIPPING

Slipping occurs if the motor reaches it's torque limit, or the roller friction has been reduced. Roller friction can be reduced by feeding excessively wet material or if any lubricants accidentally get on the roller. Check to see if the rollers are dry and clean.

### 6) DO THE HP BUCKERS WORK BEST WITH A PARTICULAR STRAIN?

HP Buckers can handle any strain but please note that all strains run differently and denser strains may need the top colas taken off before being run.

### 7) DOES THE STEM HAVE TO BE A CERTAIN LENGTH TO FEED TO THE BUCKER?

Yes, there must be 3 inches of base stem to clear the cutters.

### 8) DO I NEED A SPECIAL OUTLET FOR THE BUCKER?

CenturionPro Buckers can be plugged into any standard 110V wall outlet (220V AUS/EU).

### 9) WHAT SPEED SHOULD I USE FOR WET MATERIAL?

We recommend a faster speed for wet product and a slower speed for dry.



**LEARN  
HOW NOW**

**FOR ALL OTHER ISSUES, PLEASE EMAIL [techsupport@cprosolutions.com](mailto:techsupport@cprosolutions.com), WE WOULD BE HAPPY TO HELP YOU.**

## FREQUENTLY ASKED QUESTIONS

### HOW EASY IS IT TO CLEAN?

Our machines can be taken apart and cleaned within 10-15 minutes. The Bucker must be cleaned after daily use. Just spray the rollers liberally with isopropyl alcohol, then wipe with a soft cloth. We recommend to clean after each use. We know the importance of down time during a harvest so we wanted to make this process extremely quick and easy.

### WHAT IS THE OPTIMAL ROOM TEMPERATURE TO BUCK?

Use your CenturionPro Bucker in 50-60 °F (10- 15 °C) room to get the best performance. Cooler temperatures prevent excessive sticking to machine components.

### DO YOUR BUCKERS PROCESS WET OR DRY PRODUCT?

The answer is both. CenturionPro Buckers can process both wet and dry product. See the Plant Prepping 101 section for more details.

### ARE YOUR MACHINES BUILT TO AN INDUSTRIAL STANDARD?

We do not compromise quality for cost savings. All CenturionPro Solutions machines are composed of the highest quality materials available in North America and each machine is put through a comprehensive quality control inspection. We only use brand name components in the build out of our Bucker machines which enables us to have the comfort in giving you a 5 year warranty. With proper maintenance these machines will last you well over a decade.

### MY MACHINE IS NOT WORKING LIKE IT DID WHEN IT WAS NEW, WHY?

Make sure to fully clean the machine and rollers. If the machine is clean and the rollers are free of debris, then your machine should buck exactly like it was new.

## RETURN/REFUND POLICY

Once the machinery/parts are opened and/or used they are no longer eligible for refund or exchange. Customers can only return if written notice of return has been provided to CenturionPro Solutions within 7 days of receiving their machine and the machine or any component of which have not been used. There will be a 20% restocking fee and the customer will be responsible for all shipping costs. Returns must be packaged same as it arrived and CenturionPro is not liable for any shipping damage incurred on return. If damage occurs in transit on return, CenturionPro will refuse the return and customer will need to process a claim with their shipping provider. Any missing or damaged items must be reported to CenturionPro within 14 business days of receiving the shipment.

**WE ARE OPEN MONDAY THROUGH FRIDAY FROM 9AM TO 5PM PST - PH: 1-855-535-0558  
FILLING OUT THE "CONTACT US" FORM ON THE WEBSITE, IS ANOTHER SURE WAY TO GET IN TOUCH.**

# NOTES

---

A large grid of small dots for taking notes, consisting of 20 columns and 30 rows.

**FOR ALL OTHER ISSUES, PLEASE EMAIL [techsupport@cprosolutions.com](mailto:techsupport@cprosolutions.com), WE WOULD BE HAPPY TO HELP YOU.**



CENTURIONPRO



**CENTURIONPRO**

ELITE TRIMMING TECHNOLOGIES



[cprosolutions.com](http://cprosolutions.com)



1 855 535 0558



[sales@cprosolutions.com](mailto:sales@cprosolutions.com)

