

MX3i operates 3-phase AC motors for ridge vents, black-out curtains, roll-up side walls, and other reversible motors in typical greenhouse applications. Rotary knob allows easy manual operation, or fully automatic operation from an Agrowtek control system. Internal microprocessor tracks the motor position even when the motor is operated from the manual knob. Integrated forward and reverse limit switch inputs for motor shut-off. Interlocked electrical design prevents the motor from ever being energized in forward and reverse at the same time even if a relay fails or if a contact welds.

Connects instantly to Agrowtek's control systems or intelligent sensors via a GrowNET™ port for advanced automated control functions. GrowNET™ port accepts MODBUS RTU communication for PLC control with the LX2 ModLINK™.

LED indicators on the front panel provide status of forward or reverse output. Durable, high current relays with manual override. Rugged metal enclosure with screw holes for wall mounting. Conduit knock-outs for easy electrical installation.



### Features



Forward & Reverse Motor Control with Status Indicator Lights



AC 230V / 8A / 3-Phase Motors up to 2 HP



Interlocked Relay Design For Safe Motor Operation



1-Year Warranty



GrowNET™ Digital Communication Port



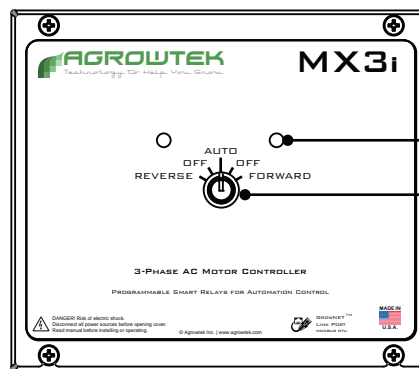
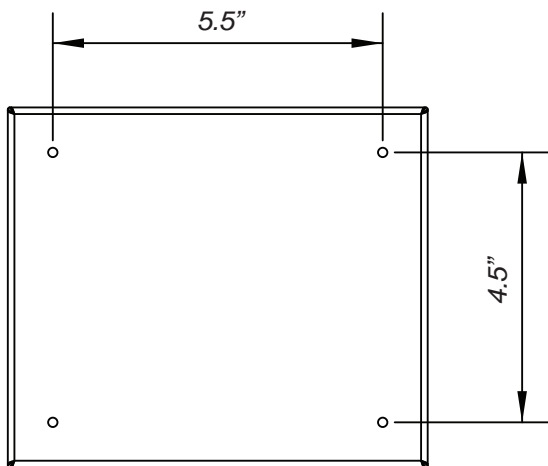
12-24Vdc Power Input  
MODBUS RTU for Industrial PLC Applications



Durable Powder-Coated Steel Enclosure



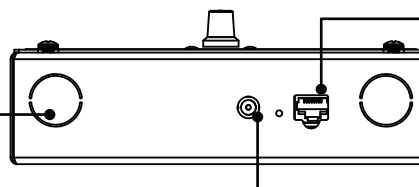
Made in USA



Indicator Lights

Control Knob

1/2" EMT  
Knock-outs



GrowNET™ Port  
RS485/MODBUS

12-24VDC Jack  
or Terminal Block Inside  
(optional; powered by RJ-45)

# MX3i

## 3-Phase Reversing Motor Controller

### Applications



Ridge Vent Motors



Roll-Up Wall Motors

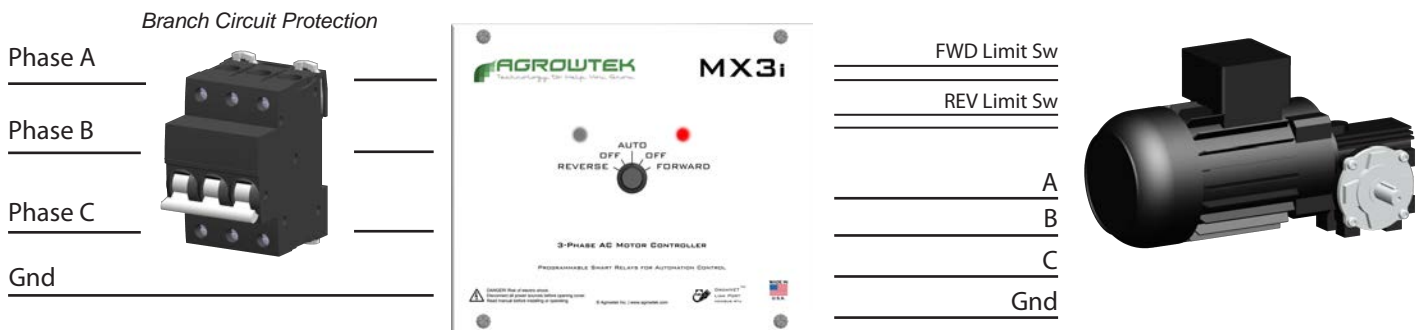


Shade & Black-Out Curtains



Other Reversible AC 3-phase Motors

### Standard Installation



### GrowControl™ GCX Controller



Connect to GrowControl™ Cultivation Controllers for advanced functions as part of a complete facility control solution. GrowControl™ GCX systems feature intelligent control functions optimized for today's complex growing environments.

### MODBUS



GrowNET™ devices are easy to implement on PLC systems with MODBUS RTU. The LX2 ModLINK™ interfaces GrowNET™ devices with serial RS-485. Multiple GrowNET™ devices can be connected to an LX2 by adding HX8 GrowNET™ hubs.

### Optional Accessories



LX1

USB  
AgrowLINK™

LX2

RS-485  
ModLINK™

HX8

GrowNET™  
Device Hub