

MX1i operates motors for ridge vents, black-out curtains, roll-up side walls, and other reversible motors in typical greenhouse applications. Rotary knob allows easy manual operation, or fully automatic operation from an Agrowtek control system. Internal microprocessor tracks the motor position even when the motor is operated from the manual knob. Interlocked electrical design prevents the motor from ever being energized in forward and reverse at the same time even if a relay fails or if a contact welds. Controls single-phase AC or DC motors with built-in limit switches.

Connects instantly to Agrowtek's control systems or intelligent sensors via a GrowNET™ port for advanced automated control functions. GrowNET™ port accepts MODBUS RTU communication for PLC control with the LX2 ModLINK™.

LED indicators on the front panel provide status of forward or reverse output. Rugged metal enclosure for wall mounting. Durable, high current relays. Conduit knock-outs for easy electrical installation.



Features



Forward & Reverse Motor Control with status indicator lights



AC 120V / 8A Model
DC 24V / 6A Model



Interlocked Relay Design For Safe Motor Operation



1-Year Warranty



GrowNET™ Digital Communication Port



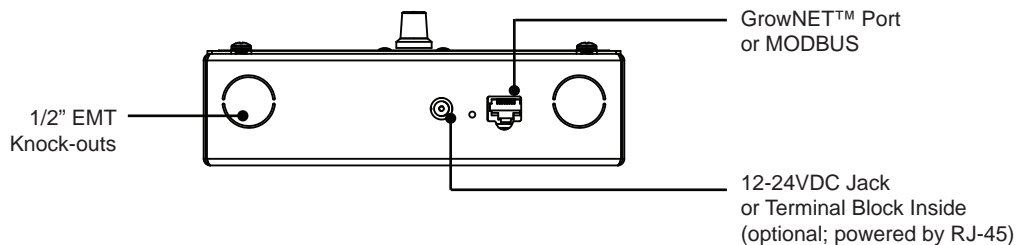
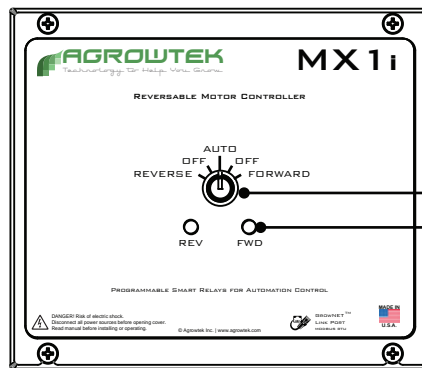
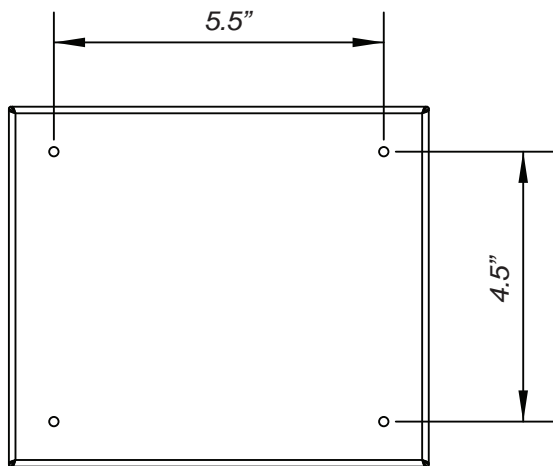
12-24Vdc Power Input
MODBUS RTU for industrial PLC applications



Durable powder-coated steel enclosure



Made in USA



MX1i

Reversing Motor Controller

Applications



Ridge Vent Motors



Roll-Up Wall Motors

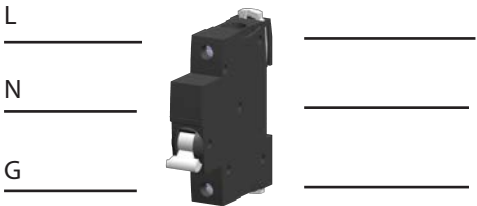


Shade & Black-Out Curtains

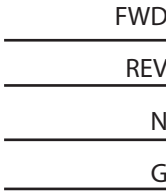


Other Reversible AC or DC Motors

Standard Installation (AC model)



Branch Circuit Protection



Limit switch wiring handled at motor. See manual for details.

GrowControl™ GCX Controller



Connect to GrowControl™ Cultivation Controllers for advanced functions as part of a complete facility control solution. GrowControl™ GCX systems feature intelligent control functions optimized for today's complex growing environments.

MODBUS



GrowNET™ devices are easy to implement on PLC systems with MODBUS RTU. The LX2 ModLINK™ interfaces GrowNET™ devices with serial RS-485. Multiple GrowNET™ devices can be connected to an LX2 by adding HX8 GrowNET™ hubs.

Ordering Options

MX1i - AC

AC = For AC Motor
DC = For DC Motor

Optional Accessories



LX1
USB
AgrowLINK™



LX2
RS-485
ModLINK™



HX8
GrowNET™
Device Hub