



iLi3

LED Lighting Solution

VOLTAGE: 100-277V

MODEL: 2.6 WATTS: 240W

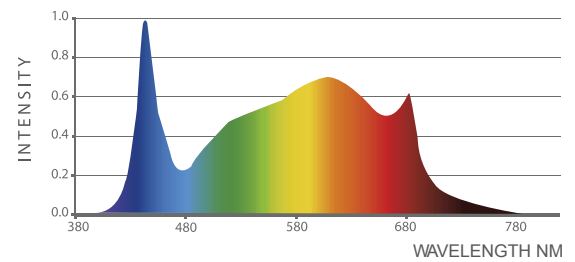
SKU: IL-i326FSG-120

TECHNICAL SPECIFICATIONS

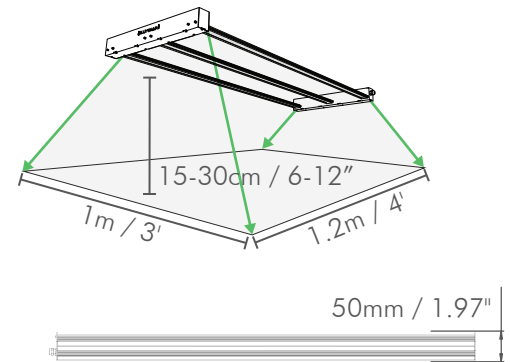
PPF	624 $\mu\text{mol/s}$
Efficacy	2.6 $\mu\text{mol/j}$
Input Current	6.70A
Input Power	240 W
Output Power	221.1
Output Voltage	33V
Min Power Factor	0.9
THD	15%
Crest Factor	0.99
BTU	816
Rated Mains Voltage	120-277V AC
Voltage Range (+/-10%)	100-277V
Mains Frequency	50 / 60Hz
Dimmable	1-10V Controllable
Ambient Temperature	-20..+45°C
Max. Temperature	75°C/167°F
Relative Humidity	98%
Plug Type	Power Cord Sold Separately
Color Temperature	4000k
Color Rendering Index	88
Finishing Mounting Height	6"-12" to top of Canopy
Emitter Cooling	Passive / Extruded Case
Light Distribution +/- 5%	125°
Waterproof Rating	IP65 for Damp/Wet Conditions
LED Lifespan (90% of Life)	55,000+ hours



ILI3 240W LED SPECTRUM



MOUNTING & COVERAGE



VOLTAGE AND AMPERAGE DRAW

120V	2.11A	251W
208V	1.2A	244W
240V	1.09A	241W
277V	0.9A	240W
347V	0.71A	245W
480V	0.51A	239W

PHYSICAL SPECIFICATIONS

Length	1193mm	46.97"
Width	458mm	18.04"
Height	50mm	1.97"
Weight	7kg	15.4lb

