

LIGHTING SOLUTION FOR COMMERCIAL INDOOR AND GREENHOUSE APPLICATIONS

The Grow Pros 1000W DE HPS/MH Grow Light is a powerful, high-output double-ended HPS/MH grow light system with an adjustable 95% transmittance reflector that delivers uniform output while allowing the grower to achieve precise aiming angles, to adjust to the light requirements of various photoperiods. The DE 1000W DE HPS/MH is dimmable, remote controllable, with internal ballast programming that regulates overheating. At 150,000 lumens, the Grow Pros 1000W DE HPS/MH covers a maximum area for larger indoor greenhouses.

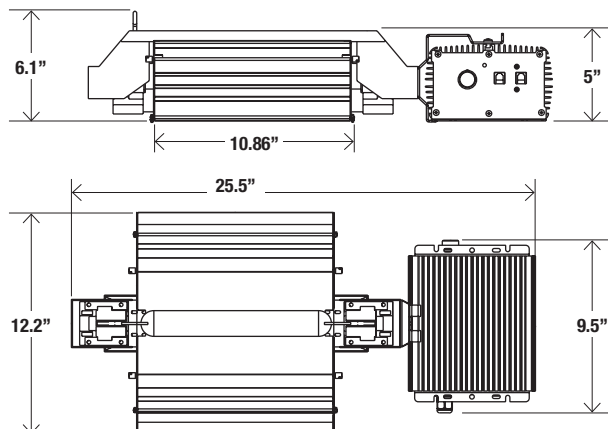
STANDARD POWER ELECTRICAL DATA

AC VOLTAGE	120V	208V	240V
AC CURRENT	5.1A	4.4A	3.8A
AC POWER	1000W	1000W	1000W
POWER FACTOR	0.98	0.98	0.98

BALLAST SPECIFICATIONS

WATTAGE	1000W
INPUT VOLTAGE	208V-277V
FREQUENCY	50/60Hz
OUTPUT RATED FREQUENCY	100-170 KHZ
BALLAST EFFICIENCY	93%
BTU OUTPUT	3,412 BTU's/hour
INPUT POWER FACTOR	.98
THD	≤10%
LIFETIME (Lamp)	12,000 hours
START/WARM UP (S)	5 max
WAVE CREST RADIO	≤1.7
PULSE START	4-5kV
OPEN CIRCUIT VOLTAGE	≤440
6-PHASE DIMMING	Yes
DIMMING	4 steps dimmable (600/750/1000/1150)
WARRANTY	3 year limited

DIMENSIONS



LAMP SPECIFICATIONS

WATTAGE	1000W DE-EU HPS
VOLTAGE	230V
CURRENT	4.4 mA
LUMENS	150,000 Lumens
POWER FACTOR	0.98
LAMP TYPE	T10
CCT	2100K
CRI	30
FREQUENCY	50/60Hz
PPFD	2.0 μmol/s/w
LAMP TEMP. (Max)	158°F (70°C)
AVERAGE LIFE	12,000 hrs
WARRANTY	1 year limited



WHAT'S IN THE BOX

- 1x HPSPRO2 Series unit
- 1x 1000W HPS lamp
- 1x 15ft power cord with 240V plug
- 2x lifting pulley hoist rope hook