

# High Yield Series

# 1280W Grow Light

4' x 8'



L x W x H = 94.5" x 48.5" x 2.5"

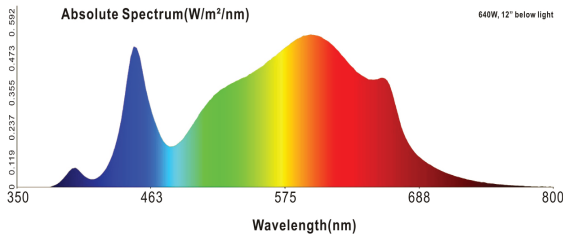
## Description

Carson's 1280W full spectrum LED grow light uses white, red, and UV light technology. Hanging from rope ratchet hangers, the 640W twin-tube system replaces two 1000W double ended high pressure sodium bulbs and covers a 4' x 8' tray. Ideal for vertical farming as the light source can be twelve inches or less away from the canopy when in veg and within inches away from the canopy during flower.

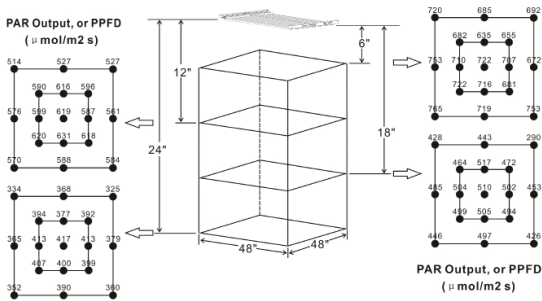
## Key Features

- Uses private label SMD LED chips
- Rated for 50,000 hours
- 5 year warranty
- IP rating: IP65
- Input voltage: AC 110V-277V
- Amps: 10.67 @ 120V, 5.33 @ 240V, 4.62 @ 277V
- Daisy chain allows flexibility to add or remove beams
- Customized drivers are tailored to fit on each beam
- Efficiency: 1.7 umol/J
- PPF: 2,192 umol/s
- Weight = 57 lbs
- LED quantity: 1,600 chips
- Annual Savings of \$662.26

Calculations are based on 6,570 annual hours of operation and \$0.14 average cost per kWh



PAR table for 640W 4x4



## Ordering Information: CT-D02080GLB-16x8

CT	D	02	080	G	L	B	16x8
Line	Chip	Dimmable	Watts	Series	Type	Color	# of Beams
CT - Premium	D - DC	02 - 0-10V Dimmable	080 - 80 Watts	G - Grow	L - Light	B - White	<b>11x8</b> - 11 Beams <b>12x8</b> - 12 Beams <b>13x8</b> - 13 Beams <b>14x8</b> - 14 Beams <b>16x8</b> - 15 Beams <b>16x8</b> - 16 Beams