

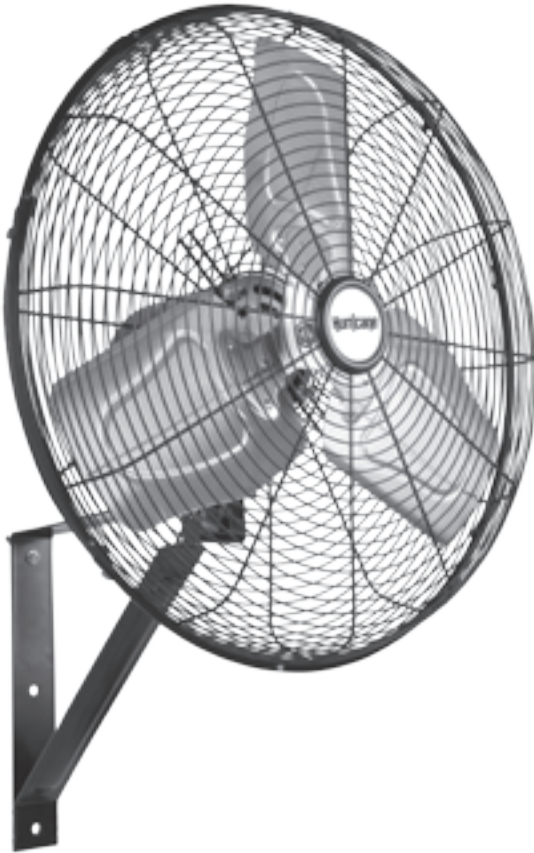
Hurricane[®] PRO

**HIGH VELOCITY OSCILLATING
WALL MOUNT FAN 20" / 30"**

Product #736489

Product #736490

OWNER'S MANUAL



READ AND SAVE THESE INSTRUCTIONS

Note: Pictures in the manual are for reference only.

HIGH VELOCITY

TECHNICAL SPECIFICATIONS

ITEM NO.	SIZE	VOLTS/Hz	CURRENT (A)	CFM	RPM
736489	20"	120V/60Hz.	1.35	4600	1100
736490	30"	120V/60Hz.	2.9	7250	1100

CAUTION: Read instructions carefully for safe operation.

SAFETY INFORMATION

WARNING:

1. Unplug the fan before moving it or performing maintenance.
2. DO NOT touch the fan when your hands are wet.
3. Those who are not qualified electricians should not disassemble, repair or rebuild the fan.
3. Unplug the fan when it is not in use.
4. DO NOT unplug the fan by holding the cable cord. Unplug by holding the plug.
5. DO NOT use the fan when there is damage to the cable cord or plug.
6. DO NOT use the fan with extension cord.
7. DO NOT use the fan close to fire.
8. DO NOT insert your hand or other objects into the guard or the movable parts.
9. To reduce the risk of fire or electric shock, do not use this fan with any solid-state speed control device.
10. If the supply cord is damaged, it has to be replaced by the manufacturer, its service agent or similarly qualified persons in order to avoid hazard.
11. DO NOT use this fan outdoors.

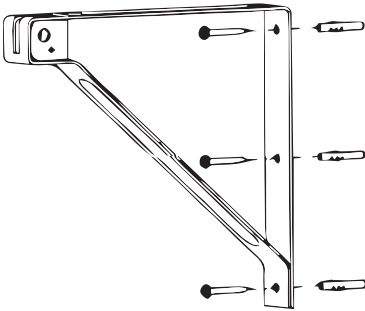
CAUTION:

1. Unplug the fan from the socket and clean it with a soft cloth.
2. DO NOT immerse the fan.
3. Fit the guard onto fan before starting up the fan.
4. This fan is not intended for use by people (including children) with reduced physical, sensory or mental capabilities or lack of experience and knowledge unless they have been given supervision or instruction concerning use of the fan by a person responsible for their safety. Supervise children to ensure they DO NOT play with the fan.

CARE AND MAINTENANCE

Unplug the appliance before cleaning. Don't use any water for cleaning metal surfaces. Slightly moisten a cloth and then wipe off the surfaces of the fan. In order to remove the dust from the grill, use a vacuum cleaner or remove the front grill by removing the securing screw on the edge of the grill with a screwdriver. After cleaning, remount the grill. After doing this, fasten the securing screw on the edge of the grill.

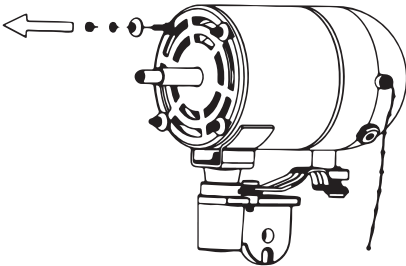
ASSEMBLY INSTRUCTIONS



Step 1:

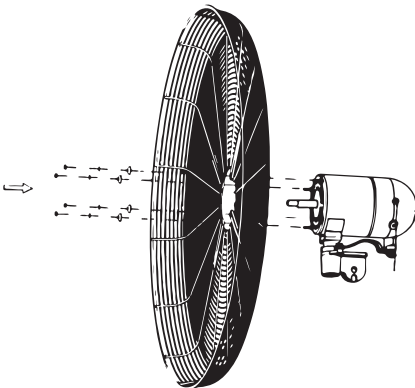
- Mark the hole locations by using the bracket, and then drill the holes.
- For concrete wall installation, after drilling, you would insert the wall anchors and tap them flush with the wall, position the bracket and then screw the bolts into the anchors, securely attaching the wall.
- For wall stud installation, after drilling the smaller diameter pilot hole, position the bracket and screw the two bolts into the wall until they are secured.

CAUTION: Use the mounting accessories shipped with products for wall mounting



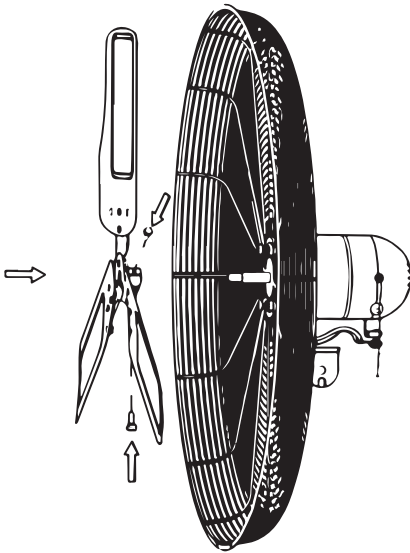
Step 2:

Remove four sets of hexagonal nuts, spring washers and big washers from motor. Save them for next step.

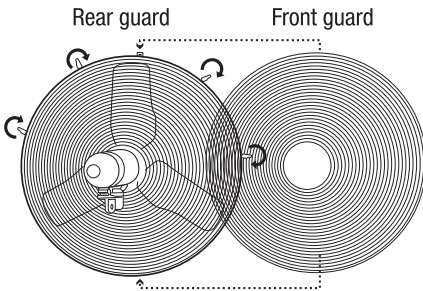


Step 3:

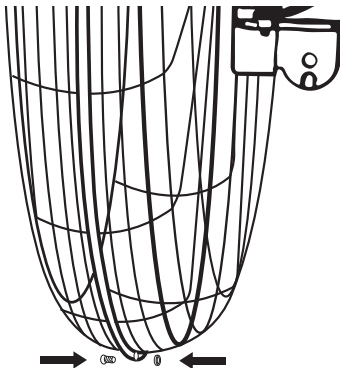
Set rear guard in the proper position, and fix it to the motor by securing the back using the hexagonal nuts, spring washers and big washers from last step.



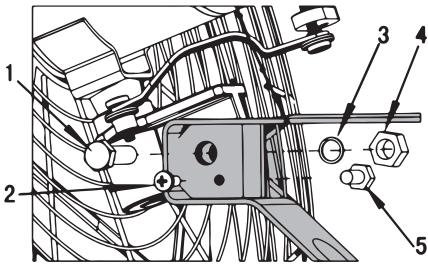
Step 4:
Assemble fan blade onto motor shaft by tightening the two screws which are located on fan blade. Make sure screw are tightly secured.



Step 5:
Assemble front guard to rear guard by fixing both guards together with clips.



Step 6:
Secure the assembly of front guard and rear guard by tightening a screw and nut at the bottom position.



Step 7:

First, hang the fan head on the bracket. Then, fasten using No.1 screw, No.3 spring washer, No.4 and No. 5 hexangular nut.

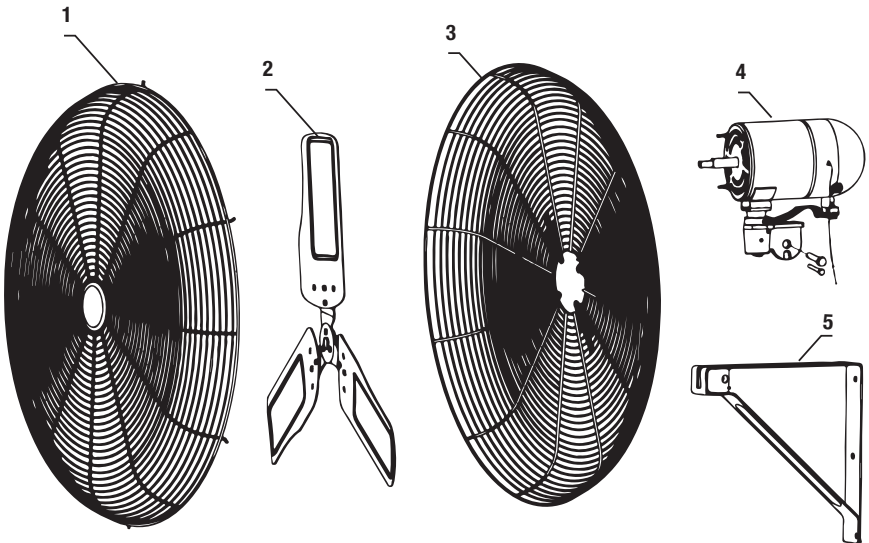
Finally, fix No.2 screw or adjusting the tilt angle of fan head.

OPERATING INSTRUCTIONS

CAUTION: Make sure control is in the “0” (off) position.

1. Connect power plug to any standard 120V AC outlet.
2. The fan comes with two different speeds. Pull power chain once to operate the low speed and allow to operate for 10 seconds. Once 10 seconds have passed, you may now pull the power chain to the high position.

PARTS DIAGRAM



PARTS LIST

ITEM NO.	DESCRIPTION	QUANTITY
1	Front grill	1
2	Blade	1
3	Rear grill	1
4	Motor	1
5	Bracket	1

Hurricane[®]

HIGH VELOCITY METAL DRUM FAN

PRODUCT #736489

PRODUCT #736490

www.hurricane-fans.com

Exclusively distributed by:



Sunlight Supply[®], Inc.

**MANUFACTURING
SINCE
1995**

SunlightSupply.com