

# Tracki!

3G GPS Multi Tracking Device

[Click here to watch Tracki Setup Videos](#)

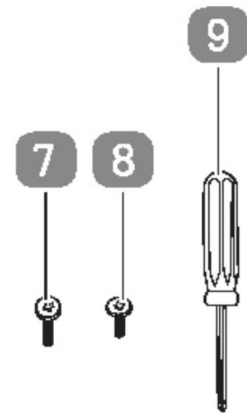
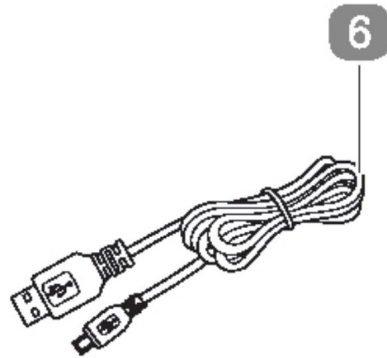
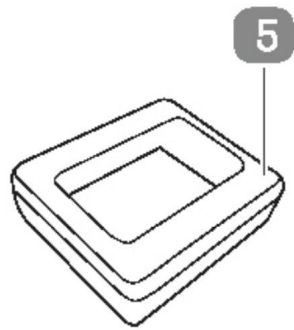
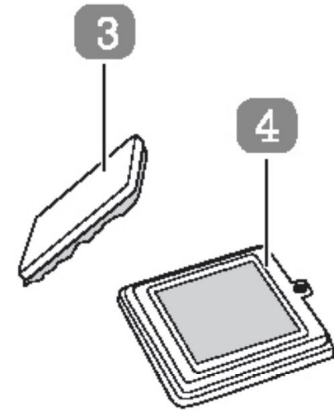
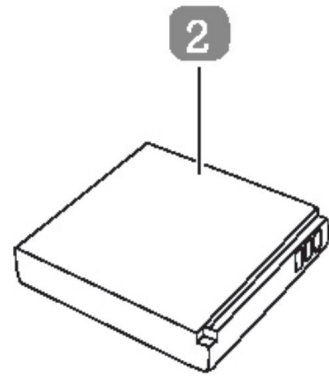
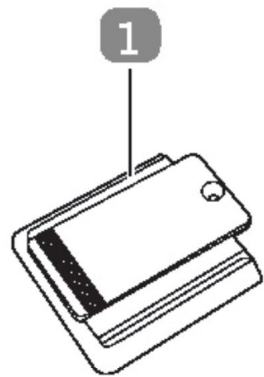
# Contents

<b>Pack contents / product parts</b> .....	<b>3</b>
<b>General information</b> .....	<b>6</b>
Key to symbols .....	6
<b>Proper use</b> .....	<b>8</b>
<b>Safety</b> .....	<b>8</b>
<b>Initial set-up</b> .....	<b>12</b>
Checking the pack contents.....	12
Installing and charging the battery.....	12
Turning the tracker on.....	13
Activating the tracker .....	13
Installing the app.....	13
<b>Functions</b> .....	<b>13</b>
Checking the connection.....	13
Button functions.....	14
Geofencing .....	14
Speed alert.....	15
Movement alert.....	16
Low battery alert .....	16
Light and sound meanings.....	18
<b>Cleaning</b> .....	<b>20</b>
<b>Storage</b> .....	<b>20</b>
<b>Technical data</b> .....	<b>21</b>
<b>Declaration of Conformity</b> .....	<b>21</b>
<b>Disposal</b> .....	<b>21</b>
Disposing of the packaging .....	21
Disposing of the tracker.....	22

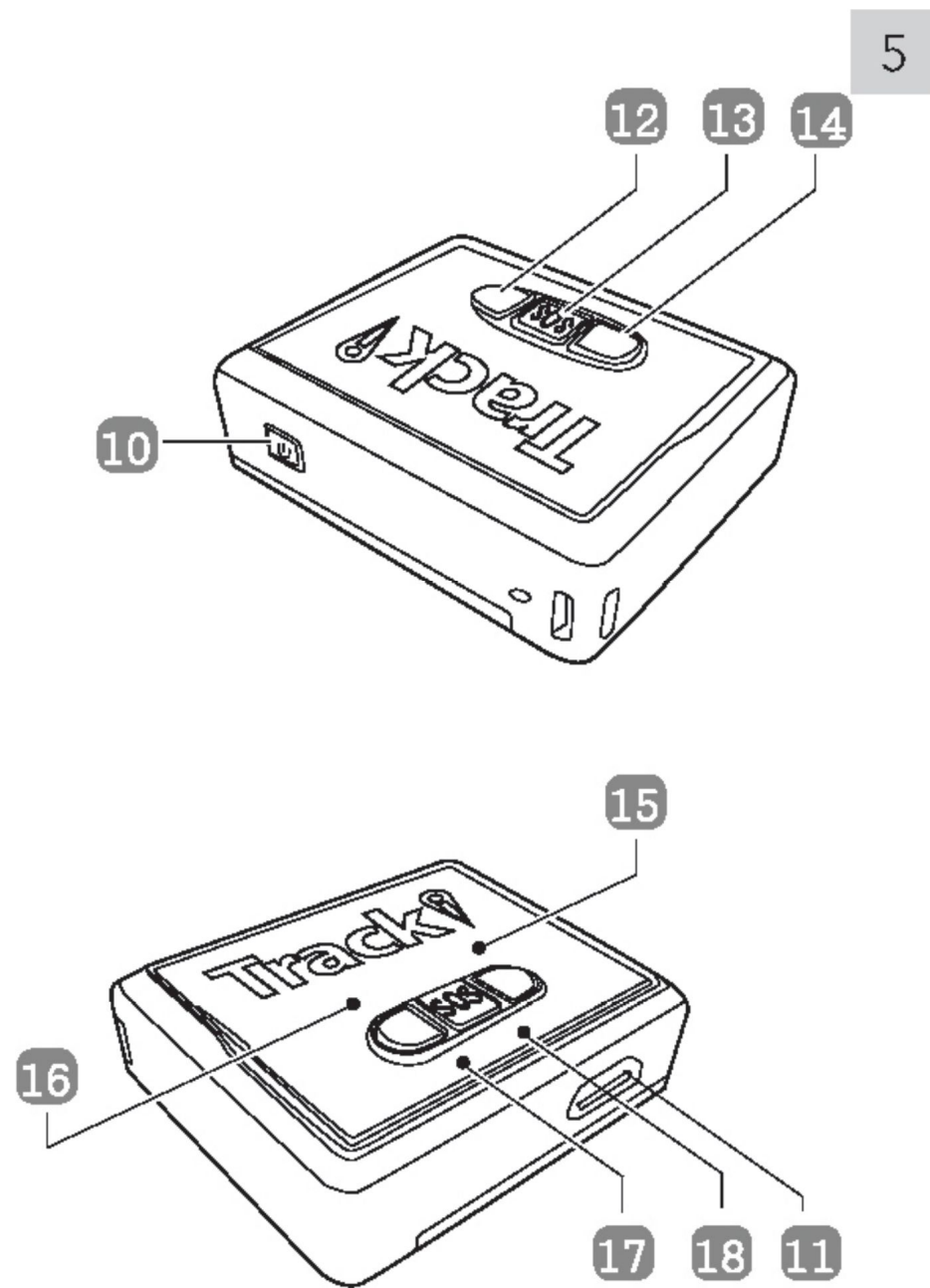
## **Pack contents/product parts**

- 1 Battery cover with clipper
- 2 Battery
- 3 Magnet
- 4 Battery cover Velcro fastener
- 5 Water-repelling silicone case
- 6 USB charging cable
- 7 Screws for the battery cover clipper, 2×
- 8 Screws for the battery cover Velcro fastener, 2×
- 9 Screwdriver

4



- 10 On/off button
- 11 Micro USB connector
- 12 Right button
- 13 SOS button
- 14 Left button
- 15 Right blue light
- 16 Left blue light
- 17 Red light
- 18 Green light




## General information




These operating instructions are for the Tracki GPS Tracker, which will simply be referred to as 'tracker' in the following. It contains important information regarding set-up and operation. Before using the tracker, please read the operating instructions carefully. This particularly applies to the safety notes. Failure to adhere to these operating instructions may result in severe injury or damage to the tracker.

Keep the operating instructions for future use. If you pass the tracker on to third parties, please be absolutely sure to include these operating instructions.

## Key to symbols

 Declaration of Conformity (see "Declaration of Conformity" chapter):  
Products marked with this symbol conform with all applicable Community provisions in effect in the European Economic Area.

 Products marked with this symbol conform with Protection Class II.



The FCC logo indicates electronic devices that conform with FCC provisions from the American authority, the Federal Communications Commission. The symbol also guarantees compatibility with standards, such as those set out by the International Organization for Standardization (abbreviated as ISO).

### **Signal words**

The following signal words are used in these operating instructions:

#### **WARNING!**

This signal word indicates a hazard with a moderate degree of risk that may lead to death or severe injury if it is not avoided.

#### **NOTICE!**

This signal word warns against potential damage to property.

## Proper use

The tracker is suitable for locating an item or living being.

Only use the tracker as described in these operating instructions. Any other use is deemed improper and may result in damage to property or even personal injury. The tracker is not a children's toy.

The manufacturer and vendor do not accept any liability for damage caused by improper or incorrect use.

## Safety

### **WARNING!**

#### **Electric shock hazard!**

Incorrect electrical installation or using a mains voltage that is too high can result in an electric shock.

- Only connect the battery and the charging cable if the mains voltage of the power socket matches that stated on the label.
- Only connect the mains adaptor to an easily accessible power socket so that the charging cable can be quickly disconnected from the mains supply if it malfunctions.
- Do not use the tracker if there are visible signs of damage or if the charging cable is defective.



- If the charging cable is damaged, it must be replaced by the manufacturer, the manufacturer's service department or a similarly qualified person in order to avoid risk.
- Only charge the battery with the charging cable supplied.
- Do not open the tracker casing. Instead, ensure any repairs are carried out by specialists. Contact a specialist workshop. Warranty and guarantee claims cannot be made if repairs have been carried out independently, or if the tracker has been incorrectly connected or operated.
- Only parts that correspond with the original device's data can be used in repairs. This tracker contains electronic and mechanical parts that are essential for protecting against potential hazards.
- Do not submerge the charging cable or the battery in water or other liquids.
- Keep the tracker, battery and all accessories away from open flames and hot surfaces.
- Do not kink the charging cable and do not place it over sharp edges.
- Only use the charging cable indoors. Never use the charging cable in places where there is a high level of humidity, or in the rain.
- Ensure that children do not put objects into the tracker.

**WARNING!****Explosion and fire hazard!**

Improper use of the battery increases the risk of explosion and fire.

- Protect the battery from mechanical damage.
- Do not expose the battery to excessive heat such as direct sunlight, fire, etc. The ambient air temperature should not exceed 35°C or fall below 5°C.
- Only use original accessories for charging.
- Always store the battery in a dry space at the right temperature.
- Do not try to remove the battery from the tracker using spikes or sharp objects.
- Do not drop the battery and do not dismantle or modify the battery.
- Replace the battery with a new one if it is damaged.
- If a child accidentally swallows the battery, seek medical assistance immediately.
- Do not transport or store the battery with metal objects.
- Do not dismantle or modify the battery.
- Do not use the battery where there are strong electrostatic fields.

**WARNING!****Danger! Acid-burn risk!**

Damaged batteries that leak can cause burns if they come into contact with the skin.

- Never open the battery.
- Always wear protective gloves if a battery is leaking.

**WARNING!**

**Dangers to children and persons with reduced physical, sensory or mental abilities (for example partially disabled people, older persons with limitations to physical or mental abilities) or those with less experience and knowledge (for example older children).**

- The tracker is not a children's toy. If you give your child the tracker to take with them, you must comprehensively explain the dangers to them and explain how to operate the tracker.
- Do not allow children to play with packaging film. Children may get caught in it when playing and suffocate.
- Do not allow children to play with small parts. They could swallow these and choke.

## Initial set-up

### Checking the pack contents

#### NOTE

#### Risk of damage!

If you carelessly open the packaging with a sharp knife or another sharp object, the tracker can quickly become damaged.

– Be very careful when opening the packaging.

1. Take each individual part out of the packaging.
2. Check whether everything has been delivered.
3. Check whether individual parts show any signs of damage. If this is the case, do not use the tracker. Contact the manufacturer.

## Installing and charging the battery

When you unpack the tracker for the first time, the battery is empty. Charge it as follows:

1. Open the battery cover and insert the battery. Ensure it is positioned correctly.
2. Connect the charging cable micro USB connector to the tracker.
3. Connect the other end of the charging cable to the USB power adaptor and then to the power socket. Alternatively, you can also connect the charging cable to a computer.
4. Charge the tracker for 12 hours. The red light will blink whilst charging. When the tracker is fully charged, the light will turn solid red.

5. Disconnect the tracker from the charging cable.

### **Turning the tracker on**

1. Take the tracker outside so that it is in the open air.
2. Press and hold the on/off button for at least 3 seconds.

The green light on the front of the tracker should blink three times.

3. Put the tracker down and wait for at least 15 minutes.

The tracker will carry out initial GPS positioning. This is required for the device to function correctly. The tracker will then be ready for use and can be activated.

### **Activating Tracki**

Scan with your smart phone the QR code on the box or under the device's battery & go with the flow. Or if you can't scan a QR code open a browser & create an account on [app.tracki.com](http://app.tracki.com) & enter your info.

### **Installing the app**

Download the tracki app free of charge via the Google Playstore or the Apple Store and install this on your smartphone. Link the tracker to the app.

### **Functions**

#### **Checking the connection**

Press the on/off button to check whether the tracker is on or off. If at least one of the two blue lights

turns on, the tracker is on. If no light comes on, the tracker is off.

You can check the tracker's activity by quickly pressing either the right button, the SOS button or the left button. If the green light comes on, the tracker is activated.

**Note:** You can save battery life by using the OFF setting in your app's menu or on the tracking interval homepage. The device doesn't have to be turned off. Charge the battery from time to time, but at the latest when you receive a message notifying you that the battery level is at 10 %. As soon as the battery level is low, the red light will start to blink.

## Button functions

Right or left button:

If you press one of the two buttons, you can send a message to the telephone number or e-mail address you have provided. It shows the following text message: "Left button pressed" or "Right button pressed".

SOS button:

If you press the SOS button for at least 2 seconds, the location and a text message will be sent to the telephone number or e-mail you have provided.

Make sure the SOS option is turned ON in the device settings on the app.

## Geofencing

A geofence is a self-defined virtual boundary. You will receive a

notification as soon as the tracker leaves this area or goes into this area.

1. Select the tracker on the tracki homepage or in your app.
2. Click on "Barriers".
3. Click on the "Create a new barrier" button.

A pink rectangular fence will be created around your device's current location (or in the centre of the map).

- You can also enter an address to position a fence.
- You can choose a pre-defined size.
- You can change the size by making the sides of the rectangle bigger or smaller, or by moving the rectangle.

4. Once your fence has been created, you can give your geofence a name and click on "Save".
5. Now you can enter additional telephone numbers (for SMS notifications) or e-mail addresses for notifications.

### **Speed alert**

You will receive a notification as soon as the tracker moves faster than the speed pre-defined by you.

1. Select the tracker on the tracki homepage or in your app.
2. Go to "Settings".
3. Enter a speed.
4. Add a contact where required.
5. Click on "Save".

**Movement alert**

You will receive a notification as soon as the tracker starts to move.

1. Select the tracker on the tracking homepage or in your app.
2. Go to "Settings".
3. Set the movement alert function to "On".
4. Add a contact where required.
5. Click on "Save".

**Important!**

GPS trackers need a clear view of the sky to properly receive satellite signals.

Be aware that when GPS signal is blocked by buildings, trees or when the device is indoors, the device uses nearby cellular antenna towers to approximate its location.

This is less accurate than GPS location, and might be hundreds of feet away or even a few miles in a nonurban area.

When the device uses cellular-based locations you will notice it on the screen by a semi-transparent blue circle displayed around the

**Low battery alert**

You will receive a notification when the tracker battery level is low.

1. Select the tracker on the tracking homepage or in your app.
2. Go to "Settings".
3. Set the "Low battery alert" function to "On".
4. Add a contact where required.
5. Click on "Save".



approximate location, and a text note about it.

If WiFi is available nearby, it will also be used for approximating the location.

Tracki must not be surrounded by metal since it blocks GPS signals. DO NOT hide Tracki in metal enclosures, in the middle of the undercarriage, the engine compartment, wheel wells, a metal bumper, the trunk, glove compartment, or any boxed metal.

## Extending battery use time

Tracki has several features for extending the battery usage time, potentially up to several months ✖

**1.Scheduled Sleep mode:** You can set the device to "sleep" (conserving battery) for extended time periods, like 12 or 24 hours. When the device wakes up, it reports its location and goes back to sleep.

**2.Wi-Fi Safe-Zone:** You can mark one or several Wi-Fi networks as a "safe zone" (like your home Wi-Fi) and then as long as the device is in range of that Wi-Fi it will not use GPS and GSM transmission, and thus significantly increase the battery use time. When exiting the Wi-Fi safe zone, the device will automatically start reporting its GPS locations again.

## Light and sound meanings

Action	Light	Sound
Press the on/off button and hold	Green light blinks three times, the tracker starts up	Short beep sound
Press the on/off button and hold	Red light blinks twice, the tracker turns off	Long beep sound
Press the on/off button quickly	Left blue light blinks, the tracker turns on	No sound
Connected to the mobile network	Blue light turns on for 4 seconds	Long beep sound
Press any button	Green light turns on for 3 seconds	No sound
Press the SOS button and hold	Both blue lights blink twice	Long beep sound
Press and hold the left or right button	The corresponding blue light blinks twice	Long beep sound

<b>Action</b>	<b>Light</b>	<b>Sound</b>
Low battery	Red light blinks	No sound
Battery is charging	Red light blinks slowly	No sound
Connected to a power source and battery is fully charged	Red light solidly lit up	No sound
Not connected to mobile network or GPS	Left and right blue lights blink slowly	Short beep sound
GPS signal but no mobile network	Right blue light turns on for 4 seconds	Short beep sound
Connected to mobile network and GPS	Left blue light turns on for 4 seconds	Short beep sound

## Cleaning

### NOTE

#### Risk of damage!

Improper handling of the tracker may result in damage.

- Do not use any abrasive cleaning agents, brushes with metal or nylon bristles or any sharp or metallic cleaning materials such as knives, metal scouring pads, etc. These could damage surfaces.
- Never submerge the tracker in water and do not use any steam cleaners when cleaning. This can damage the tracker.
- Never put the tracker in the washing machine. This would destroy it.

1. Wipe surfaces with a slightly damp cloth.
2. Then ensure you fully dry all parts.

## Storage

- Remove the battery from the tracker if you want to store it for a longer period of time.
- Store the tracker in its original packaging or a similar cardboard box.
- Keep the tracker in a dry and clean environment out of the reach of children.

## Technical data

Model:	TRKM010
Battery:	Li-Ion, 600 mAh
Input voltage:	5 V / 500 mA
Power output:	Max. 2 W / Max. 1 W
Frequency band:	GSM 850/GSM 900/ DCS 1800/PCS 1900 WCDMA 850/900/ 900/2100 GPS: 1575,42 MHz (Rx)
Protection class:	<input type="checkbox"/>
Wi-Fi:	Yes
Bluetooth:	BT 4.0
Battery life:	48-96 hours
Dimensions:	4.7 × 4.0 × 1.7 cm
Weight:	42 g incl. battery

## Declaration of Conformity

 The Tracki GPS tracker radio equipment conforms with EU Directive 2014/53/EU.

## Disposal

### Disposing of the packaging



Dispose of the packaging ensuring that materials are correctly separated. Dispose of cardboard and carton as waste paper and dispose of foils via the recyclable material collection service.

## Disposing of the tracker

(Applicable in the EU and other European countries with systems of separately collecting waste and recyclables).



**Old devices cannot be disposed of as household waste!**

**■** If the tracker can no longer be used, all consumers are **legally obligated to separate old devices from household waste**, e.g. by disposing of them using a municipal/district collection point. This ensures that old devices are properly recycled and avoids negative environmental impact. This is why electronic devices are labelled with the symbol shown here.



**Batteries cannot be disposed of as household waste!**

As a consumer, you are legally obligated to dispose of all batteries at a municipal/district collection point or at a retailer, regardless of whether or not they contain harmful substances\*, so that they can be disposed of in an environmentally friendly way.

\*labelled as: Cd = cadmium, Hg = mercury, Pb = lead

# Attention!

Dear customer,

Thanks choosing Tracki !

Setting up the tracker requires activation and is quite easy, but in some unusual cases you may face some difficulties or confusion. These difficulties can be resolved by calling our support hot-line.

So please don't make any conclusions or make a return before you speak to our support at

+1 (323) 785-2020 M-F 10am-10pm EST

You can also contact us via live chat or open a support request on

<http://tracki.com>

We strive to Make you fully satisfied.

Will be glad to help you any time you need.

**[tracki.com](http://tracki.com) / +1 (323) 785-2020**