

Olympus DS-9000

Professional Dictation Recorder

Olympus Australia Pty Ltd
September 2018

Concept

“The Perfect Blend of Premium Features and Ease of Use”

Target user

Professionals / Business

Design



Design Features

Intelligent Dual Microphone System

SD/SDHC Card Slot



3.5mm Earphone Jack

3.5mm Microphone Jack

NEW Button

Durable Optical Slide Switch

Larger 2.4" Screen

Programmable Function Buttons

OK/Menu & Navigation Buttons

Improved Built-in Loudspeaker



Power Switch

Alcohol Resistant Body



MicroUSB / Cradle Connections

Use Scenes

Corporate



- Legal
- Property



- Financial
- Industry

Use Scenes

Healthcare



- Hospital
- Medical Centre



- GP
- Consultant

Use Scenes

Government



- Civil Servants
- Local Government



- Government Representatives



Key Features

Key Features

1 Intelligent Dual Mic System

2 Stereo Conference Recording

3 Durable Body Designed for Heavy Use

4 Reliable Security Features

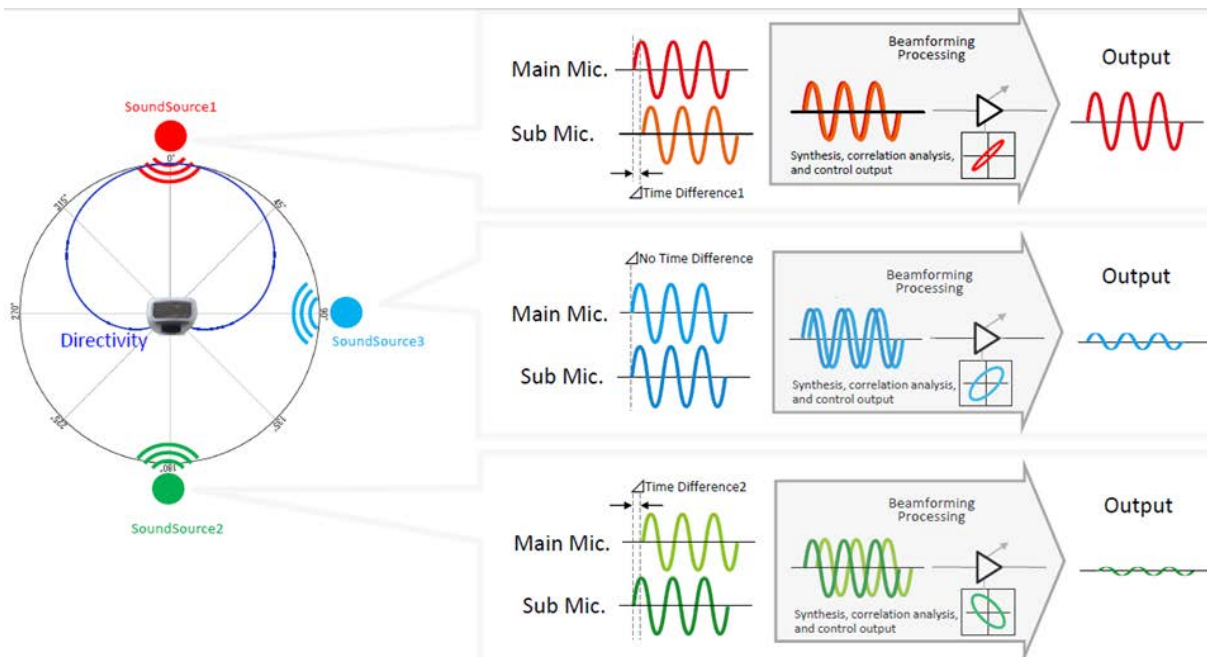
1. Intelligent Dual Mic System

Two Low Noise, Omni-directional Microphones

Clearer voice and lower noise recordings for speech recognition

Dual-microphone array enables voice capture clearly in noisy environments by creating narrow directionality.

Suppresses sound from the back and side and retains volume of sound from the front.

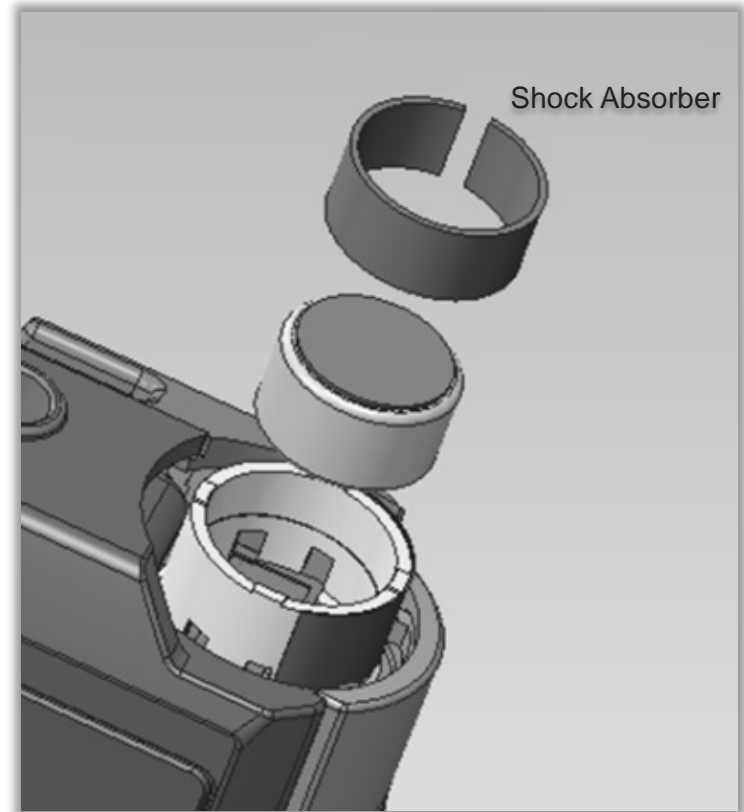


1. Intelligent Dual Mic System

High-quality low-noise microphone unit with Shock Absorber

Same as found in LS-P Series High Resolution Linear PCM Recorders.

The shock absorber covers the microphone unit and reduces touch noise from your hand to the body.

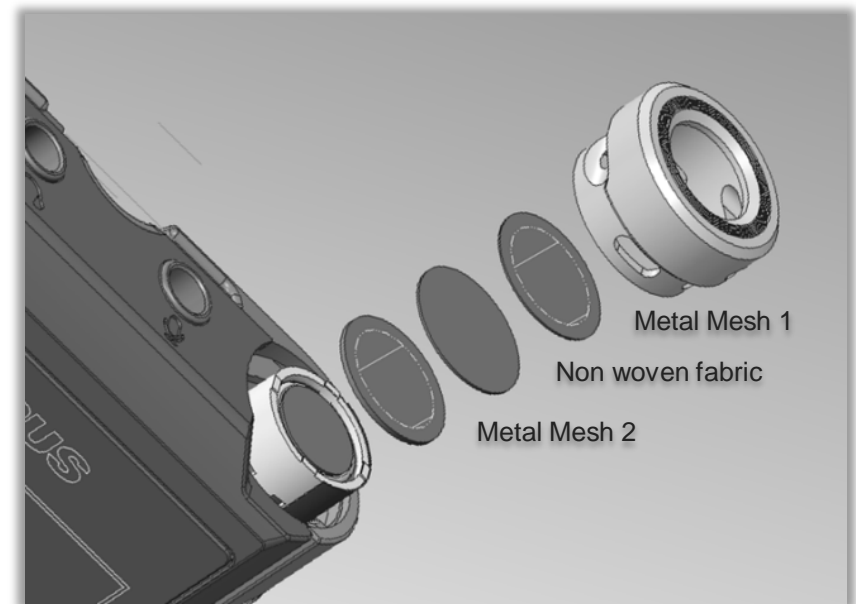


1. Intelligent Dual Mic System

Studio Grade Pop-Filter

Blocks the wind noise generated from the mouth when talking into the microphones

This pop-filter has the same construction as filters used in recording studios.



1. Intelligent Dual Mic System

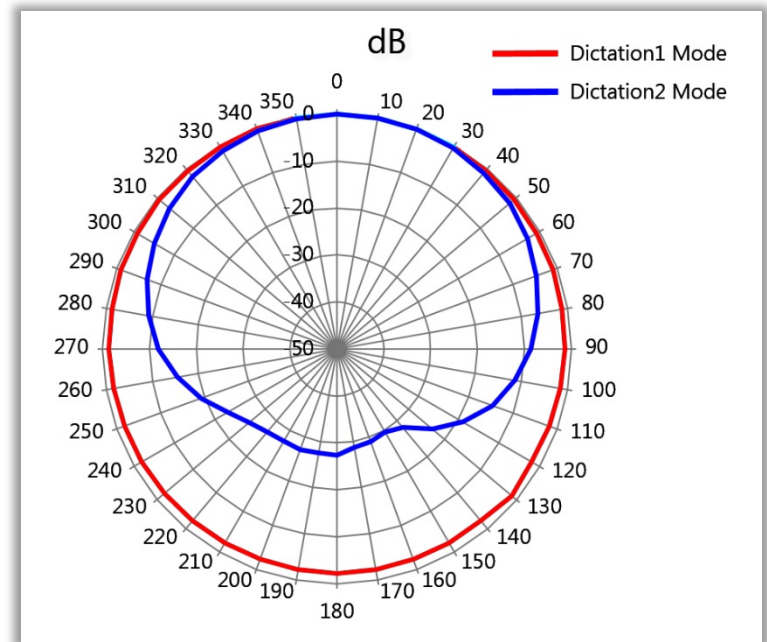
Two Recording Modes for Dictation

Dictation Mode for Quiet Environments

In this mode, the main microphone will record in an omni-directional mode so that the directionality is suited to recording equally in every direction. The distance from your mouth to the microphone should stay close to the recorder.

Dictation Mode for Noisy Environments

In this mode, the main microphone will be recording in a high directionality mode together with noise cancellation in order to focus on the voice. The noise from surroundings is suppressed to minimum.



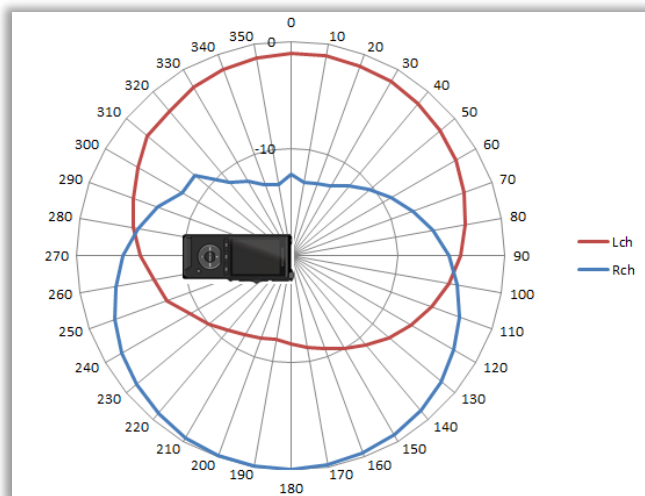
2. Stereo Conference Recording

Recording Mode for Conference Recording

Directionally of the 2 microphones changed to 90° layout.

Enables high-quality recording with realistic stereo feeling.

No matter where the speaker is, you can clearly capture the information.



2. Stereo Conference Recording

High Quality PCM (WAV) & MP3 Formats Supported

MP3 Formats:

44.1kHz / 128kbps Stereo

44.1kHz / 64kbps Stereo

PCM (WAV) Formats:

22.05kHz / 16bit Stereo

22.05kHz / 16bit Mono

Easily share your meeting and conference recordings with attendees.



*These formats do not require dedicated Dictation or Transcription software to playback

3. Durable Body Designed for Heavy Use

Impact Resistant Body

Shockproof – withstands drops from up to 1.5m.

Structural integrity improves the device lifespan to support day-to-day work for busy professionals.

Same technology as found in Olympus' award-winning Tough Digital Cameras.



3. Durable Body Designed for Heavy Use

Alcohol Resistant Body

Supports hygienic requirements for medical environments.

Use Ethanol (76.9 to 81.4 v/v%) or Isopropanol (70 v/v%) for disinfection.



3. Durable Body Designed for Heavy Use

Reliable Optical Slide Switch

Mechanical



Optical



Simplifies the structure and reduces the risk of defect, yet offers the same usability.

4. Reliable Security Features

128 / 256 Bit AES Encryption

- 256-bit real-time file encryption (AES).
- Only Authors/Typists that know the password can access the file.
- AES encryption system meets the high security standard set by governments worldwide for securing data.
- 256 bit AES is supported when recording in DSS Pro format.



Protect confidential information with data security features you can rely on.

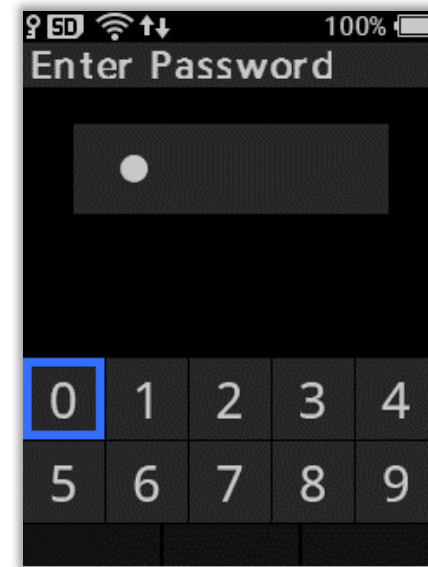
4. Reliable Security Features

Device PIN Lock

- Device Lock feature protects the device from unauthorized access.
- 4-digit PIN Code required to access and use the device.
- Sensitive data stays off limits to unauthorised individuals

Data Loss Prevention

- Changes DS-9500 into Read-Only device when connected to a PC.
- Prevents careless copying of sensitive data.
- Available in ODMS R7 Workgroup mode.



Protect confidential information with data security features you can rely on.



Additional Features

Larger LCD and Improved Display

Larger 2.4" Colour LCD Screen with Cleaner GUI



(*NB; DS-9500 pictured above. Screen dimensions are the same for DS-9000)

Other Convenient Features

Motion Sensor

The Built-in Motion/Acceleration Sensor detects the movement of the body and automatically wakes the device from sleep mode.

Closed Loudspeaker Chassis

Housing with more space behind the speaker to form an enclosure.

Speaker unit has been optimised for better sound wave generation.

Provides enough volume w/ good sound quality.

Smaller opening helps keep the speaker unit free from dust.

Exchangeable Battery

The bundled Li-92B Li-Ion battery is the same as those used in Olympus' DI Compact cameras. Users can easily swap the battery during long use.





Specifications & Accessories

Specifications

Spec	DS-9000
Built-in microphone	Intelligent Dual 8mm Φ Omnidirectional Microphones
Recording formats	DSS Pro (.DS2) / DSS / PCM (.WAV) / MP3
Internal memory	2GB (microSD)
External memory	SD/SDHC (Max. 32GB)
Download Method	Cradle / USB Direct
Battery	Li-92B Li-Ion Rechargeable Battery
Battery life (Recording SP)	Approx. 21 hr.
Internal battery charge	✓
Author IDs	✓ 10
Work types	✓ 20
Dictation Editing (Insert/Overwrite/Append)	✓
Device Lock	PIN (4 digits)
File Encryption	✓(256/128 bit)
Bundled accessories	ODMS R7 DM License Card / Li-92B Li-Ion Rechargeable Battery x 1 / KP-30 MicroUSB Cable / CS-151 Protection Case / Instruction Manual / Warranty Information

Bundled Accessories

Li-92B Li-ion Rechargeable Battery



KP-30 MicroUSB Cable



CS-151 Carrying Case



Bundled Accessories

ODMS R7 Dictation Module Software License



- Or -

DSS Player for Mac V7



Optional Accessories

AS-9000 Transcription Kit

Includes:

- RS-31H Transcription Foot Switch
- E-102 Transcription Headset
- ODMS R7 TM License Card



OLYMPUS
