



Olympus DS-2600

Digital Dictation Recorder

Olympus Australia Pty Ltd
September 2018

Concept

“High Quality Performance in an Easy to Use Device”

Target user

Professionals / Business

Design



Design Features

2 Large Omni-directional Microphones

SD/SDHC Card Slot



3.5mm Earphone Jack

3.5mm Microphone Jack

NEW Button

Durable Optical Slide Switch

Larger 2.4" Screen

Function Buttons

OK/Menu & Navigation Buttons

Improved Built-in Loudspeaker



Power Switch

MicroUSB / Cradle Connections



Use Scenes

Corporate



- Legal
- Property



- Financial
- Industry

Use Scenes

Healthcare



- Hospital
- Medical Centre



- GP
- Consultant

Use Scenes

Government



- Civil Servants
- Local Government



- Government Representatives



Key Features

Key Features

1 Large Omni-Directional Microphones

2 Stereo Conference Recording

3 Precise Optical Slide Switch

4 Durable Body with Large Colour Display

1. Large Omni-Directional Microphones

2 x Large $\phi 8$ Omni-directional Microphones

- Redesigned speech optimised microphones.
- Independently housed for sound reproduction.
- 2-Mic array provides clear voice capture for dictating or conferences recording.



(*NB; DS-9500 pictured above. Microphone array is the same for DS-2600)

1. Large Omni-Directional Microphones

Recording Mode for Dictation

Dictation Mode

In this mode, the main microphone will record in an omni-directional mode so that the directionality is suited to recording equally in every direction. The distance from your mouth to the microphone should stay close to the recorder.

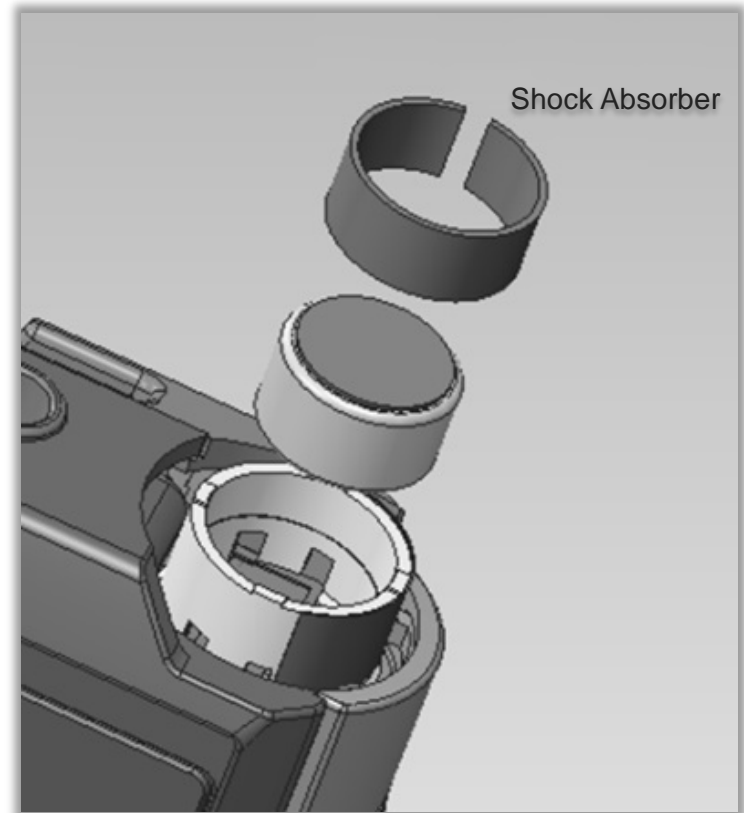


1. Large Omni-Directional Microphones

Microphone unit with Shock Absorber

Same as found in LS-P Series High Resolution Linear PCM Recorders.

The shock absorber covers the microphone unit and reduces touch noise from your hand to the body.

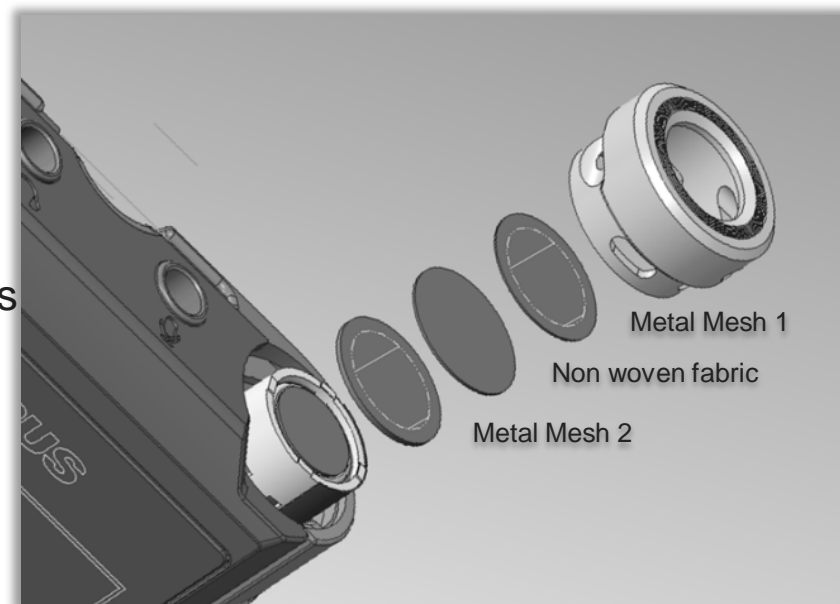


1. Large Omni-Directional Microphones

Studio Grade Pop-Filter

Blocks the wind noise generated from the mouth when talking into the microphones.

This pop-filter has the same construction as filters used in recording studios.



2. Stereo Conference Recording

Recording Mode for Conference Recording

Conference Mode

Directionally of the 2 microphones changed to 90° layout. Enables high-quality recording with realistic stereo feeling. No matter where the speaker is, you can clearly capture the information.



2. Stereo Conference Recording

High Quality PCM (WAV) & MP3 Formats Supported

MP3 Formats:

44.1kHz / 128kbps Stereo

44.1kHz / 64kbps Stereo

PCM (WAV) Formats:

22.05kHz / 16bit Stereo

22.05kHz / 16bit Mono

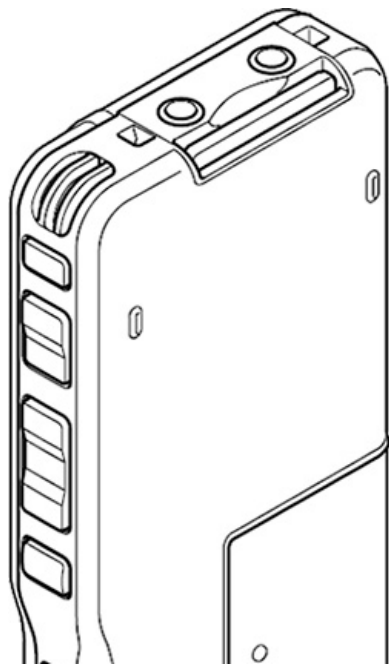
Easily share your meeting and conference recordings with attendees.

*These formats do not require dedicated Dictation or Transcription software to playback

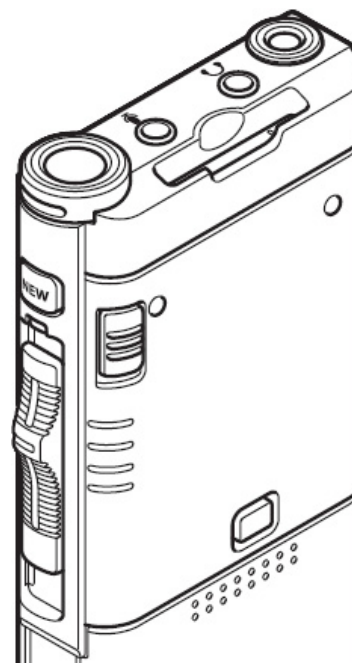


3. Precise Optical Slide Switch

Precise Optical Slide Switch



DS-2500
Button Control
Layout



DS-2600
Slide Switch
Layout

3. Precise Optical Slide Switch

Precise Optical Slide Switch

Mechanical



Optical



Simplifies the structure and reduces the risk of defect, yet offers the same usability.

4. Durable Body with Large Colour Display

Impact Resistant Body

Shockproof – withstands drops from up to 0.5m.

Structural integrity improves the device lifespan to support day-to-day work for busy professionals.

Same technology as found in Olympus' award-winning Tough Digital Cameras.



PHOTOREVIEW
EDITORS
CHOICE

4. Durable Body with Large Colour Display

Larger 2.4" Colour LCD Screen with Cleaner GUI



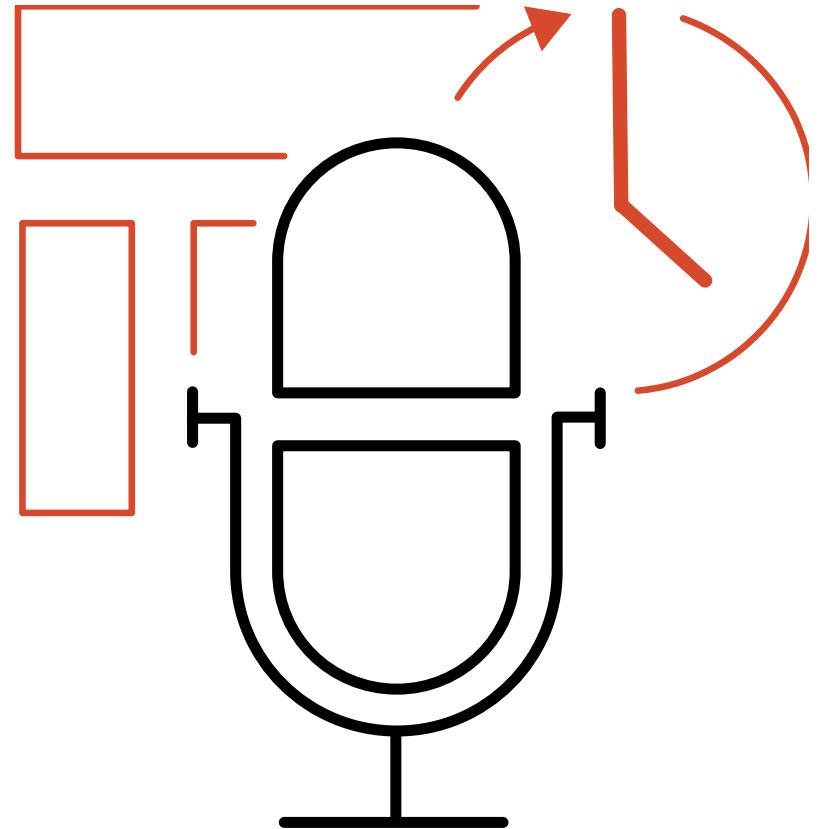
(*NB; DS-9500 pictured above. Screen dimensions are the same for DS-2600)



Additional Features

Compatible with Speech Recognition

- Fully compatible with Nuance Dragon® speech recognition software.
- Allows ease of transcription.
- Further decreases transcription time.



Other Convenient Features

Motion Sensor

The Built-in Motion/Acceleration Sensor detects the movement of the body and automatically wakes the device from sleep mode.

Closed Loudspeaker Chassis

Housing with more space behind the speaker to form an enclosure.

Speaker unit has been optimised for better sound wave generation.

Provides enough volume w/ good sound quality.

Smaller opening helps keep the speaker unit free from dust.

Exchangeable Battery

The bundled Li-92B Li-Ion battery is the same as those used in Olympus' DI Compact cameras. Users can easily swap the battery during long use.





Specifications & Accessories

Specifications

Spec	DS-2600
Built-in microphone	2 x 8mm Φ Omnidirectional Microphones
Recording formats	DSS Pro (.DS2) / PCM (.WAV) / MP3
Internal memory	2GB (microSD)
External memory	SD/SDHC (Max. 32GB)
Download Method	USB Direct / Cradle (optional)
Main Control	Optical Slide Switch (REC / STOP / PLAY / RWD)
Battery	Li-92B Li-Ion Rechargeable Battery
Battery life (Recording SP)	Approx. 21 hr.
Internal battery charge	✓
Author IDs	✓ 1
Voice Activated Recording (VCVA)	✓
Dictation Editing (Insert/Overwrite/Append)	✓
Bundled accessories	Software License Card / Li-92B Li-Ion Rechargeable Battery x 1 / KP-30 MicroUSB Cable / Instruction Manual / Warranty Information

Bundled Accessories

Li-92B Li-ion Rechargeable Battery



KP-30 MicroUSB Cable



Software License Card



(DSS Player Standard Release 2
Dictation Module)

- Or -



(DSS Player for Mac V7)

Optional Accessories

AS-2400 Transcription Kit

Includes:

- RS-28H Transcription Foot Switch
- E-102 Transcription Headset
- DSS Player Standard Release 2 (Transcription Module) License Card



OLYMPUS
