
EVERPURE ROM IV REVERSE OSMOSIS (RO) SYSTEM



**ROM IV
Filtration System**

INSTALLATION INSTRUCTIONS
English Pages 2-23

**ROM IV
Sistema de filtración**

INSTRUCCIONES DE INSTALACIÓN
Español. Páginas 24-45

**ROM IV
Système de filtration**

DIRECTIVES D'INSTALLATION
Français Pages 46-67

EVERPURE ROM IV REVERSE OSMOSIS (RO) SYSTEM



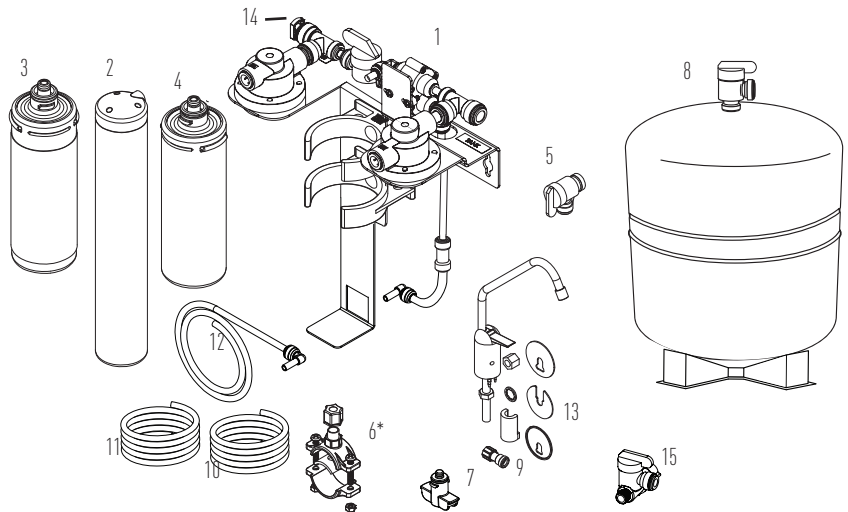
INTRODUCTION

The ROM IV Reverse Osmosis (RO) System is designed to provide up to two (2) years of membrane life. This system is NSF Certified to reduce a variety of contaminants.

INSPECTION

Before mounting the ROM IV System, inspect the parts. Use the table and illustration provided to verify the parts and quantities. If any parts are missing, contact Customer Service at 800.279.9404 or by email at tech-support@pentair.com.

Parts	Part Number
1. Head Assembly	Special Order
2. RO Membrane ROM-G75	EV929775
3. ROM-PRE Prefilter Cartridge	EV929675*
4. ROM-PST Postfilter Cartridge	EV929676*
5. Tank Valve	EV311655
6. Drain Saddle Valve	EV311754
7. Port Plug	EV310876
8. Storage Tank	EV314698
9. Faucet Adapter	EV312938
10. 3/8" Plastic Tubing (White)	EV312843
11. 3/8" Plastic Tubing (Blue)	EV544600
12. 1/4" Plastic Tubing Assembly (Red)	EV305061
13. Lead-Free Air Gap Drinking Water Faucet	SH244820
14. Plug, 3/8" Quick-Connect	EV314487
15. Water Supply Adapter	4004337
*Prefilter and Postfilter cartridges sold as a set, part number EV929670	



REPLACEMENT PARTS

Contact your local Pentair Everpure Dealer for filter cartridges or system replacement parts.

Tools Required

- Hand or Electric Drill
- Adjustable Wrenches (2)
- File
- Pencil
- Utility Knife or Tube Cutter (for plastic tubing)
- Phillips Screwdriver
- Towel
- Safety Glasses
- Tape Measure
- Drill Bits: 1/4-inch and 3/8-inch

Optional Materials

(For sinks without extra hole for faucet)

- Hand or Electric Drill
- Plumber Tape
- Drill Bits: 1/4-inch and 3/8-inch
- Center Punch
- Respirator
- 1-3/8 inch Bi-metal or Carbide Tipped Hole Saw

NOTE: Not all tools listed will be necessary for installation.

Read installation procedures before starting to determine required tools.

SELECTING A MOUNTING LOCATION

1. Give consideration to the weight of the unit when operating, i.e. when filled with water. Operating weight of the ROM IV RO System is:
 - System without Storage Tank - 10.2 lbs (4.6 kgs)
 - Storage Tank - 29.4 lbs (13.3 kgs)
2. The location should allow for:
 - Minimum clearance of 2-1/2 inches (6.3 cm) under the cartridge(s) so they can be lowered for removal and replacement.
 - Adequate space for "in" and "out" water line connections.
 - Be near a drain for flushing.

DIMENSIONS

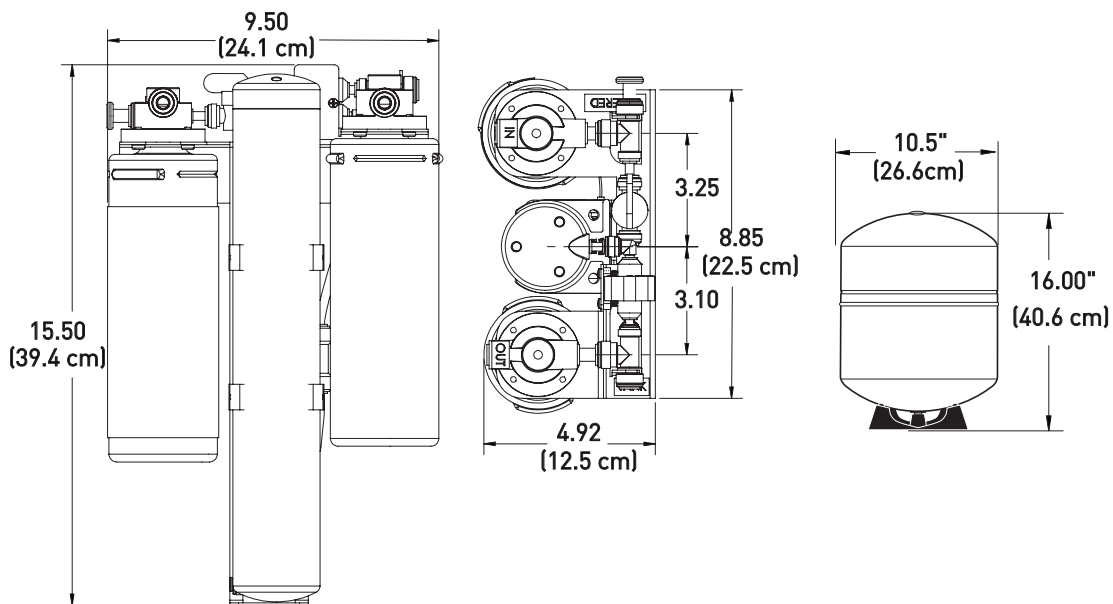


Figure 1

OPERATING SPECIFICATIONS

WARNING: Before installing the system, make certain your water supply complies with the following operating specifications. Failure to do so may reduce the effectiveness of the system and will void the warranty. Consult your local water treatment utility or a certified water testing lab to determine the quality for your water.

Temperature:	32-120°F (0-49°C)
Pressure:	40-100 psi (2.7-6.89 bar), non-shock
Total Dissolved Solids:	1000 ppm maximum
Maximum Hardness:	143 ppm
Sulfide, Iron and Manganese:	Less than 0.1 ppm
Chlorine in Water Supply:	Free chlorine - 0.1 ppm maximum
Water Supply pH Limits:	4 to 11
Turbidity:	1.0 NTU maximum

For cold water use only.

GENERAL PRECAUTIONS

WARNING: Do not use with water that is microbiologically unsafe or of unknown quality without adequate disinfection before or after the system. Systems certified for cyst reduction may be used on disinfected waters that may contain filterable cysts.

WARNING: The ROM IV RO System contains replaceable components that are critical to the efficiency of the system. Replacement of the reverse osmosis component should be with one of identical specifications, as defined by the manufacturer, to assure the same efficiency and contaminant reduction performance.

WARNING: The ROM IV RO System contains a replaceable RO membrane cartridge, critical for the effective reduction of total dissolved solids. Product water should be tested periodically to verify that the system is working properly.

WARNING: The ROM IV RO System shall only be used for arsenic reduction on chlorinated water supplies containing detectable residual free chlorine at the system inlet. Water systems using an in-line chlorinator should provide a one-minute chlorine contact time before the unit.

WARNING: The ROM IV RO System will not protect against disease-causing bacteria or remove naturally-occurring harmless bacteria.

CAUTION: The ROM IV RO System must be protected against freezing which can cause the filter housing to crack, resulting in water leakage.

CAUTION: Turn off water supply to head without cartridge if it must be left unattended for an extended period of time.

CAUTION: Do not use electrical heating tape on this unit.

NOTE: Substances listed as reduced are not necessarily in your water. System must be maintained according to manufacturer's instructions, including replacement of filter cartridges.

NOTE: Your water must be within required limits for satisfactory operation. If not, the RO membrane cartridge's life may be shortened and your warranty will be voided (see Operating Specifications).

NOTE: Install on cold water line only.

NOTE: Do not install where system will be exposed to direct sunlight.

NOTE: Make certain that installation complies with all state and local laws and regulations.

NOTE: The filter cartridges and RO membrane cartridge included with the system have limited service lives. Changes in taste, odor, and color of the filtered water indicate that the cartridges and/or membrane should be replaced.

NOTE: During extended periods of non-use (such as during a vacation), remove the membrane cartridge and the filter cartridges from the unit and place them in a sealed plastic bag. Store the cartridges in the refrigerator for future use. When restarting the unit, replace all cartridges and flush per instructions.

NOTE: If the ROM IV RO System stands for more than two (2) to three (3) days without being used, the storage tank should be emptied.

NOTE: Use only plumbers tape without adhesive backing to seal joints. Do not use pipe compound ("pipe dope"), sticks, or similar compounds with this unit; they contain petroleum derivatives which can cause crazing and cracking of the plastic in the filter housing.

NOTE: Use only soap and water to clean components.

NOTE: Do not use aerosol sprays (bug spray, cleaning fluids, etc.) near the ROM IV RO System. They contain organic solvents which can cause crazing and cracking of the plastic in the filter housing.

NOTE: After prolonged periods of non-use, such as a vacation, it is recommended that the system be flushed thoroughly. Let water run for two (2) to three (3) minutes before using.

NOTE: Do not use a torch near the unit.

INSTALLATION

- Please read all instructions and precautions before installing and using your ROM IV.
- For standard, under-sink installation on 3/8" (9.52 mm) steel, brass, or copper cold water line.
- When selecting a mounting location of the system and tank, take into consideration the length of tubing required for connections between existing plumbing and system components. Some installation sites may require more tubing than provided in the kit.
- Numbered diagrams correspond with numbered steps.

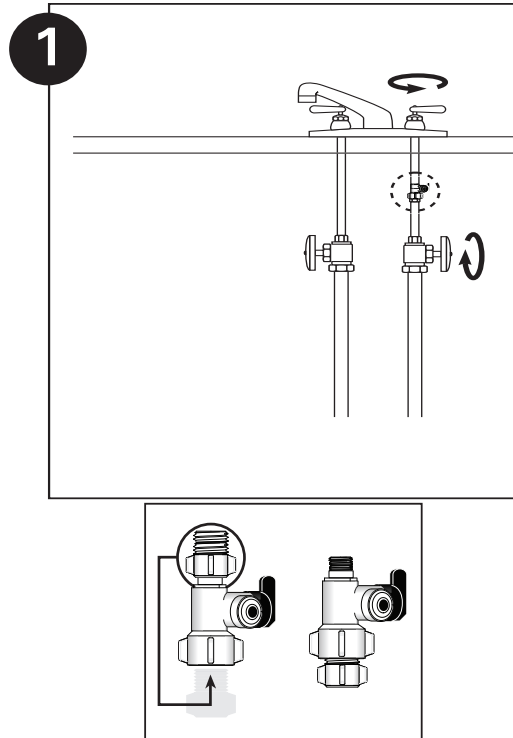
INSTALLING THE WATER SUPPLY ADAPTER

The supply adapter fits 1/2"-14 NPS supply threads or 3/8" x 3/8" compression. If local codes permit, it may be used to connect the system to the cold water supply line. If local codes do not permit the use of the supply adapter, alternate connectors can be obtained from your local supplier.

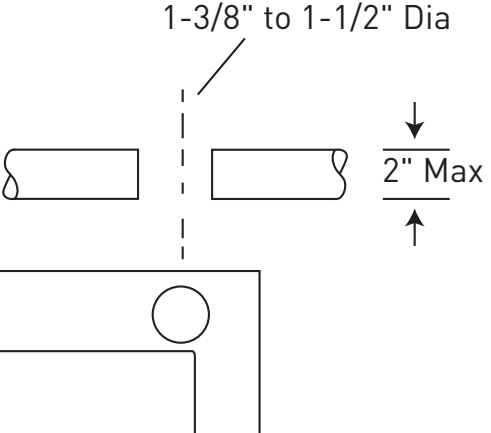
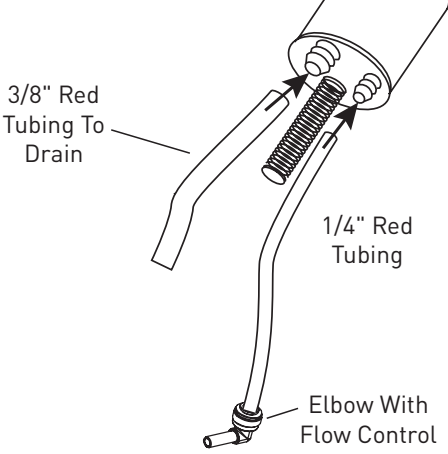
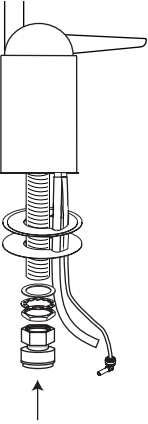
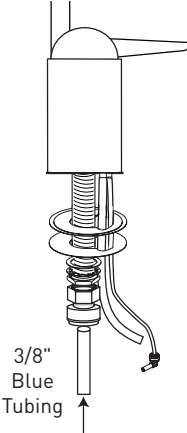
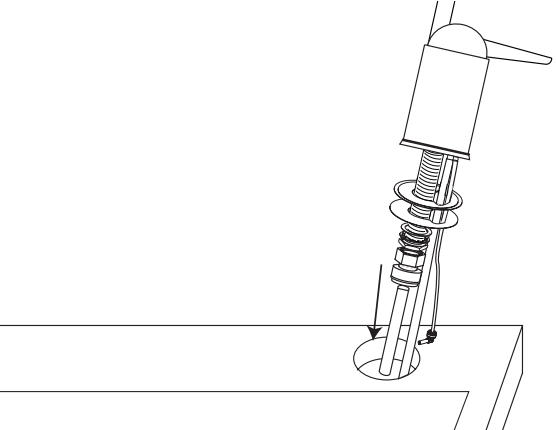
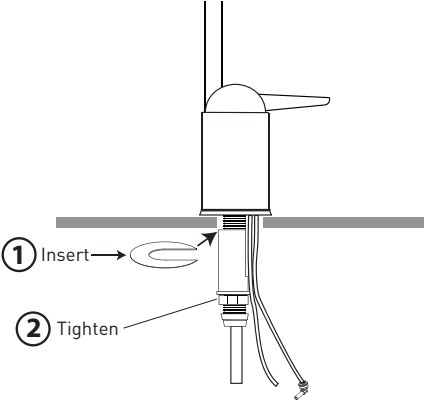
DIRECTIONS:

- A. Turn off cold water supply line. If cold water line does not have a shut-off valve under the sink, you should install one.
- B. Turn on the cold water faucet and allow all water to drain from line.
- C. Disconnect riser cold water supply valve.
- D. Ensure the sealing gasket is fully seated into the feed adapter valve female thread.
- E. Install feed adapter valve onto supply valve as desired. The feed adapter valve may be installed at the bottom of the supply hose or the top of the cold water line. Hand tighten only.
- F. Connect the riser to the feed adapter valve.

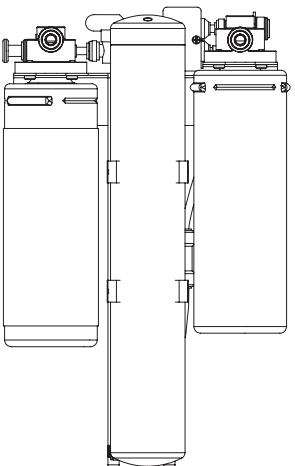
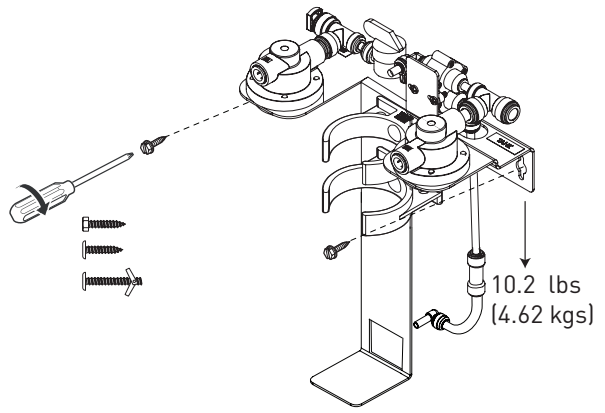
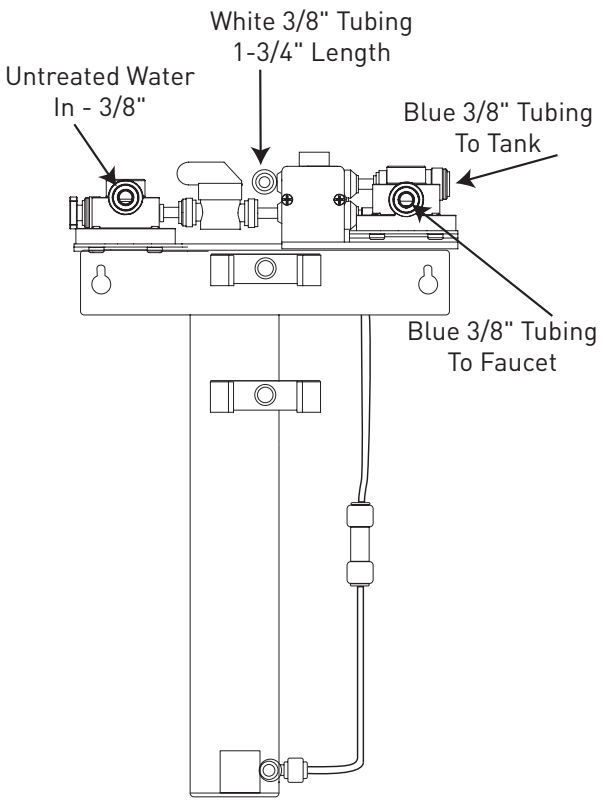
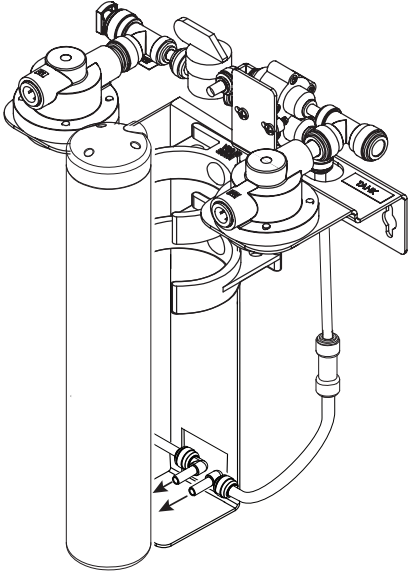
NOTE: Be careful not to cross-thread.



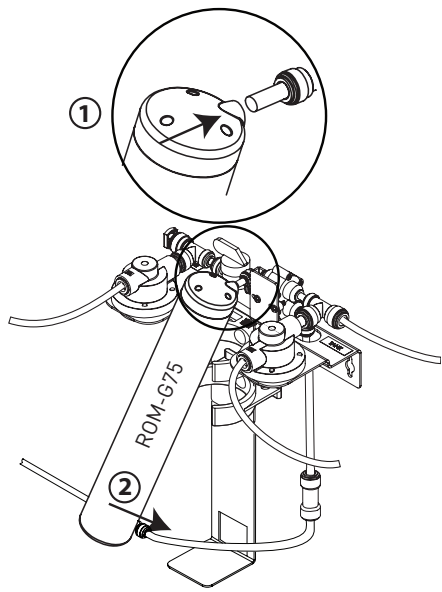
FAUCET QUICK START

<p>1 Mounting Hole Dimensions</p>  <p>1-3/8" to 1-1/2" Dia</p> <p>2" Max</p>	<p>2 Attach Reject Water Tubing</p>  <p>3/8" Red Tubing To Drain</p> <p>1/4" Red Tubing</p> <p>Elbow With Flow Control</p>
<p>3 Attach Quick-Connector to Faucet</p> 	<p>4 Attach Product Water Tubing</p>  <p>3/8" Blue Tubing</p>
<p>5 Position Faucet</p> 	<p>6 Add "C" Washer and Tighten</p>  <p>1 Insert</p> <p>2 Tighten</p>

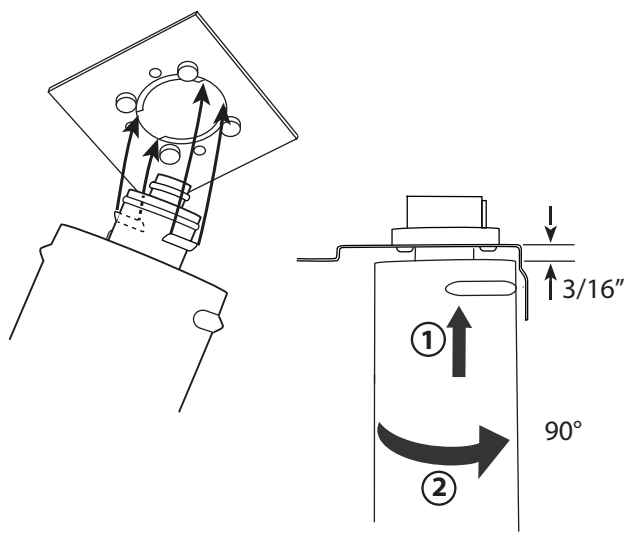
SYSTEM QUICK START

<p>ROM IV RO System</p> 	<p>1 Secure Manifold</p> 
<p>2 Tubing Locations</p> 	<p>3 Connect Tubing to ROM-G75 Cartridge</p> 

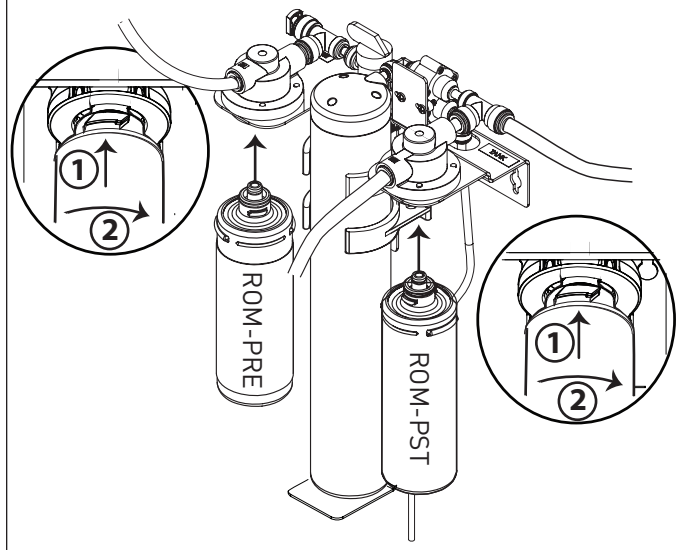
4 Install ROM-G75 Cartridge



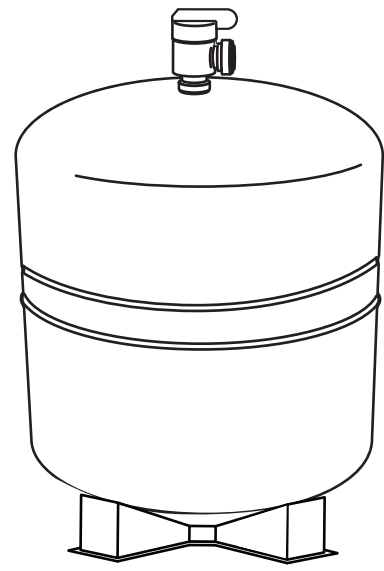
5 Install Cartridges



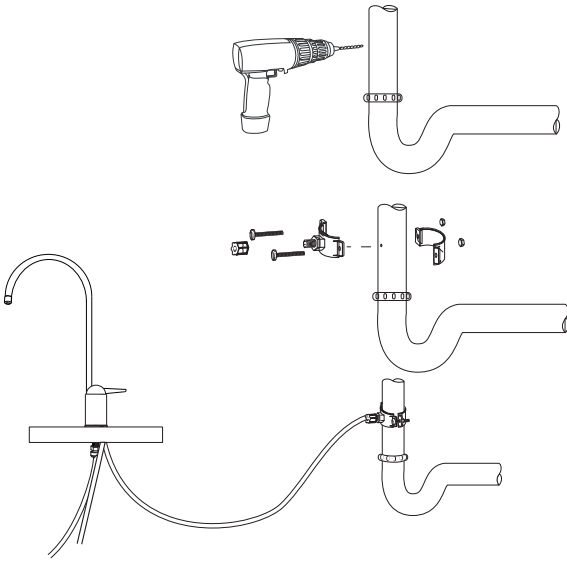
6



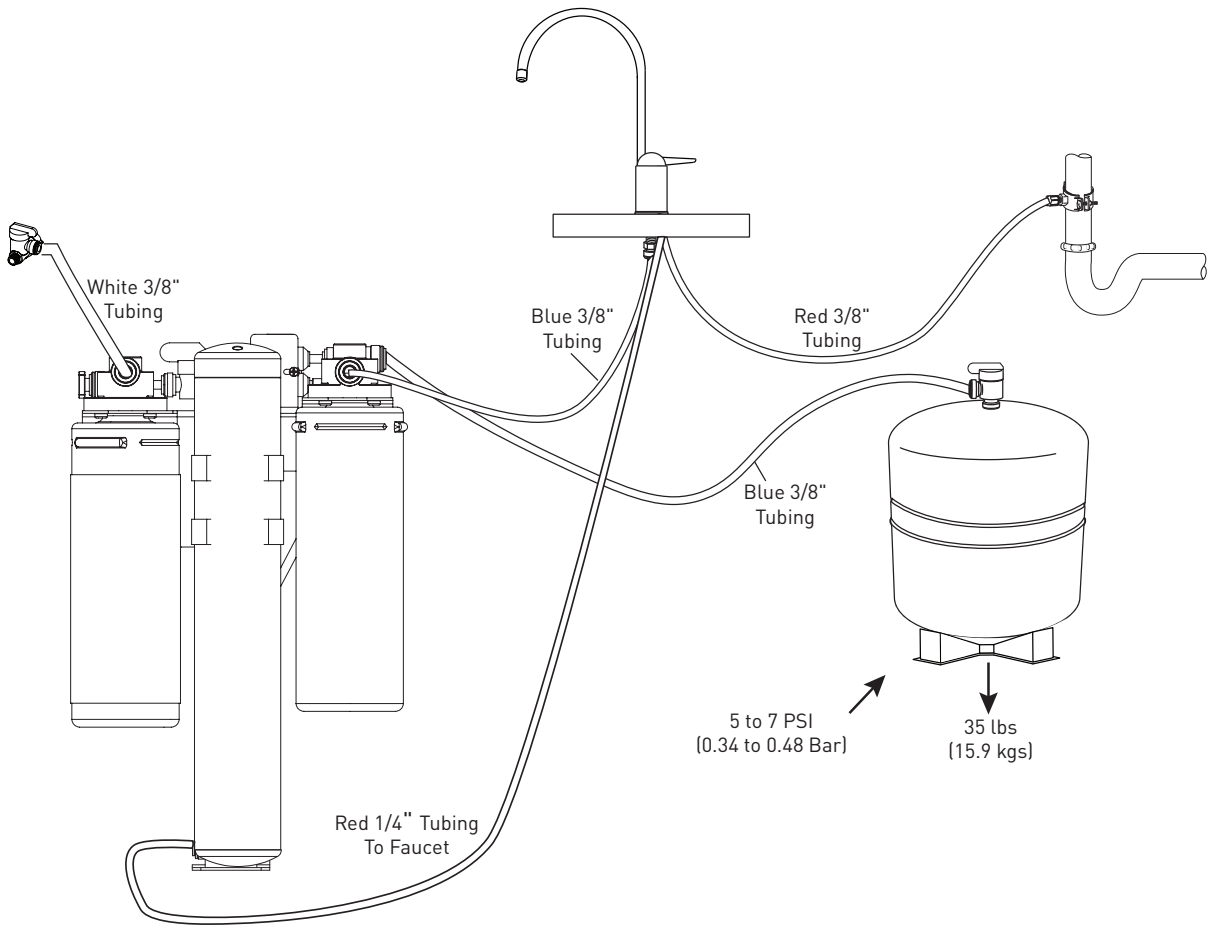
7 Assemble Tank



8 Connect To Drain

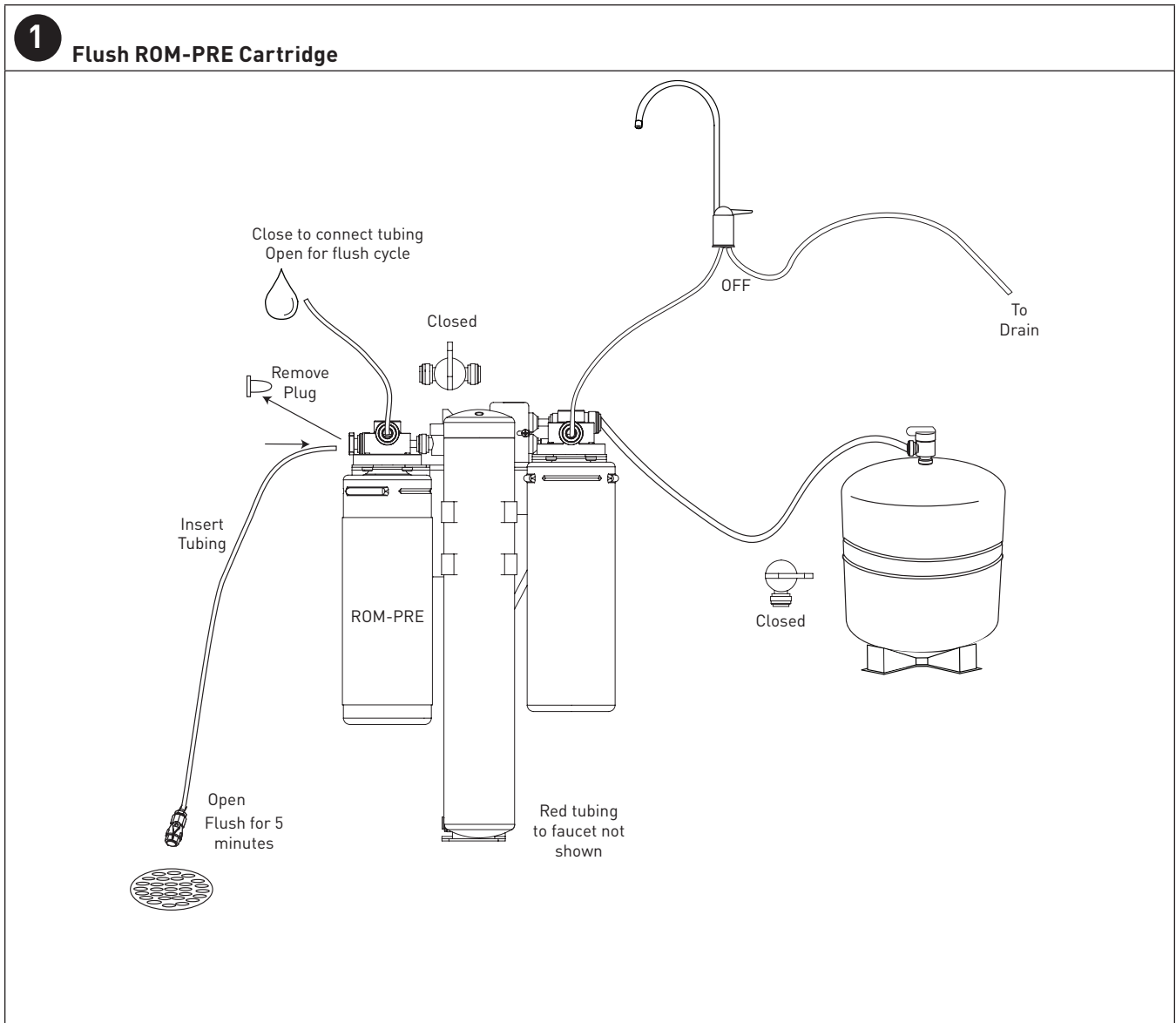


9 Connect Tank Tubing

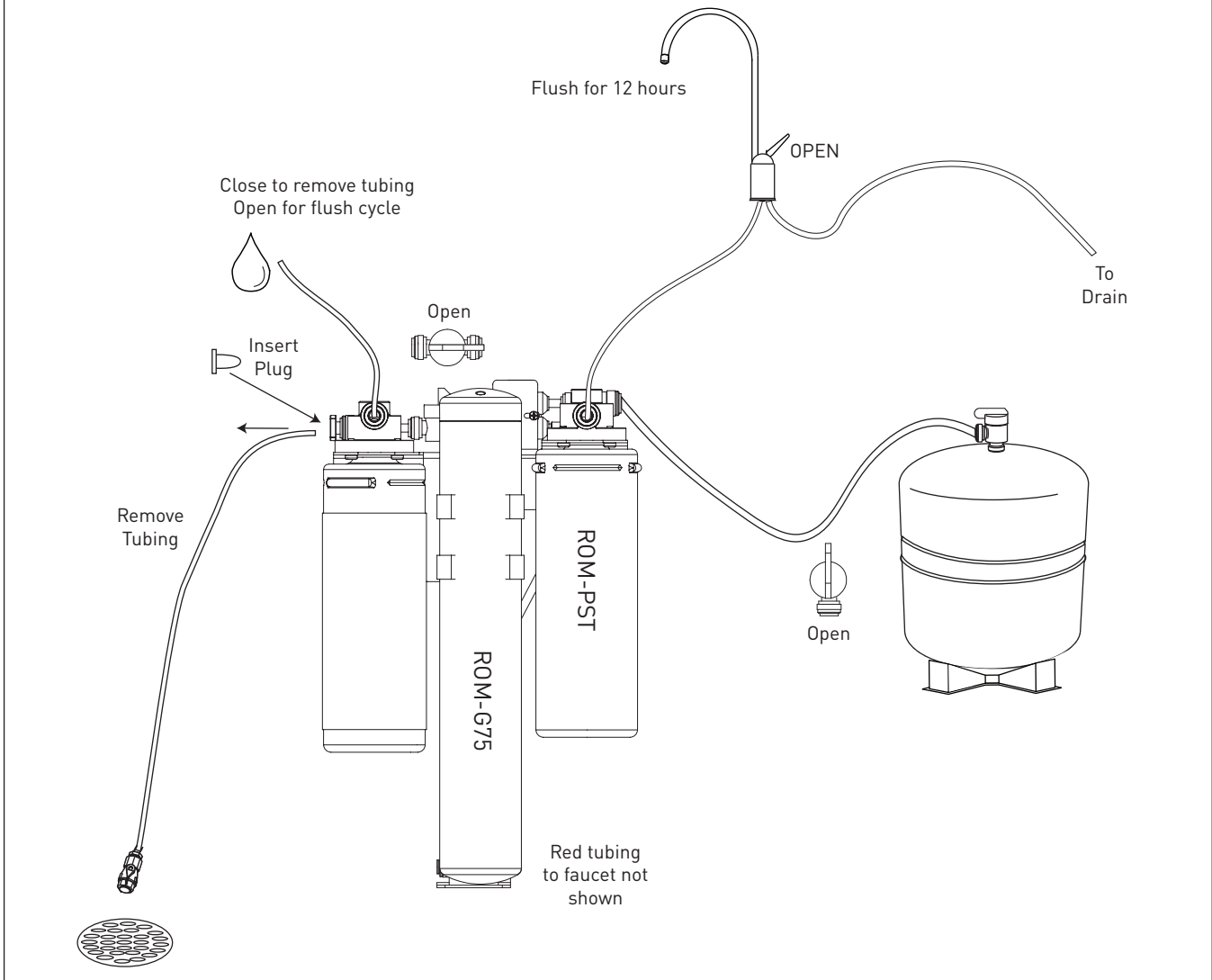


PUT SYSTEM INTO OPERATION QUICK START

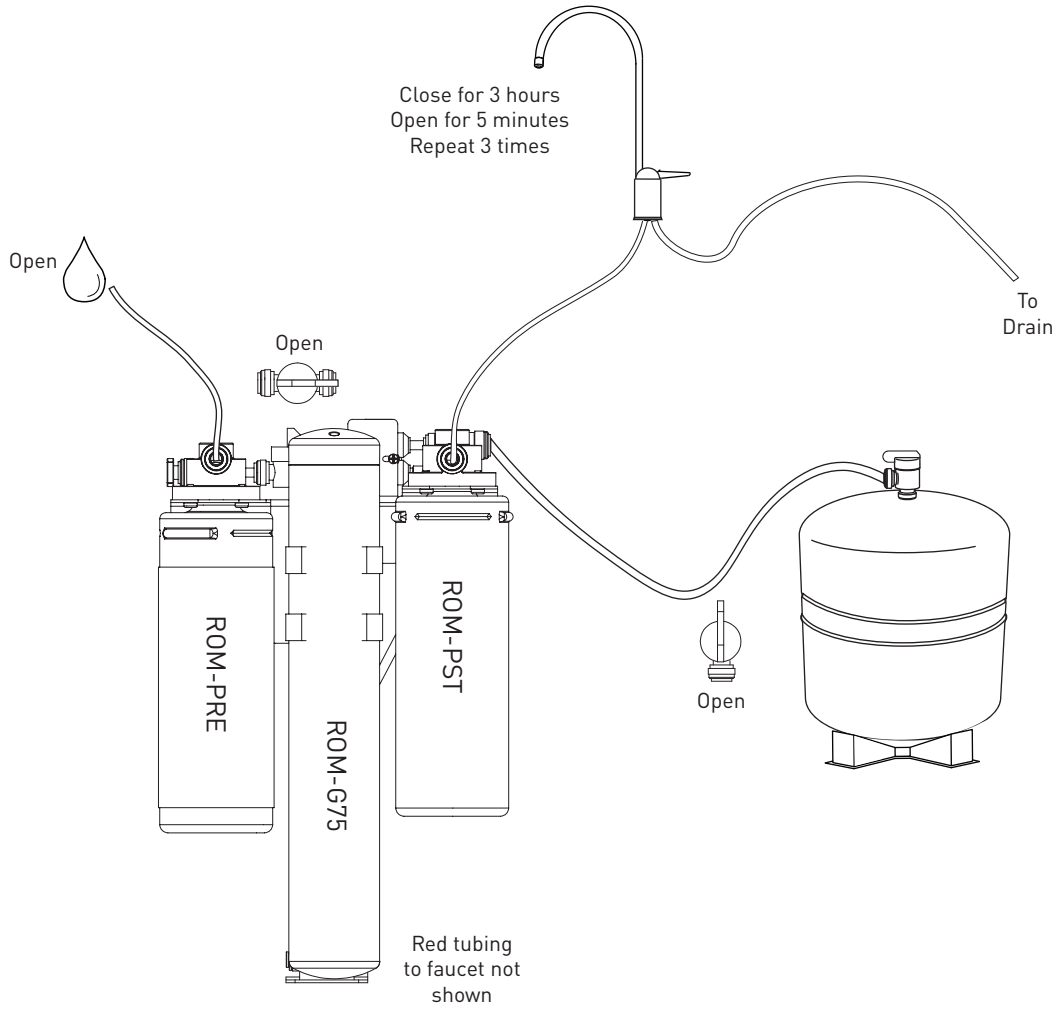
1 Flush ROM-PRE Cartridge



2 Flush ROM-G75 and ROM-PST Cartridges



3 Final Flush



HOW REVERSE OSMOSIS (RO) WORKS

The ROM IV RO System uses a semi-permeable membrane to reduce dissolved salts, improving the taste and odor of your water. The RO membrane cartridge contains multiple layers of micron-thin film wound around a hollow center core. Water molecules can pass through the cartridge, while dissolved salts are rejected.

Your water supply is prefiltered to reduce dirt and chlorine that may foul the membrane. The RO membrane cartridge separates this prefiltered water into PRODUCT WATER and REJECT WATER. Water pressure forces water through the membrane within the RO membrane cartridge, and into the storage tank. This is the product water. Dissolved salts cannot pass through the membrane and are sent to the drain as reject water. When the faucet is opened, product water (permeate) is drawn from the storage tank through a post-polishing filter. The post-polishing filter takes out any remaining taste or odor in the water and provides you and your family with cleaner, great-tasting water.

The ROM IV RO System also features an auto shut-off valve which shuts off the system once the pressure in the storage tank reaches 2/3 of the incoming water pressure (your water pressure). When you open the faucet to draw water from the storage tank, the pressure inside the tank drops and the auto shut-off valve opens. The system then begins to operate, replenishing the water you took from the storage tank. Depending on the system's efficiency, for each gallon of water produced, up to 1 gal (3.79 L) is discharged as reject water. The storage tank can hold up to 3.2 gals (12.1 L) of water at a time.

NOTE: When used under operating conditions specified in this manual, the RO membrane cartridge of the ROM IV RO System should last 12 to 24 months. The precise life span of the RO membrane cartridge will depend on the quality of the water entering the system and the frequency with which you use it. Frequent use prevents the dissolved salts from building up on the membrane as scale. The more water the system is required to produce, the longer the membrane will last.

INSTALLATION

NOTE: Please read all instructions, specifications, and precautions before installing and using your ROM IV RO System.

NOTE: The ROM IV RO System may be installed under a sink, counter or water cooler.

NOTE: The ROM IV RO System is installed vertically.

NOTE: Numbered diagrams correspond with numbered steps.

Selecting the Faucet Location

NOTE: The drinking water faucet should be positioned with function, convenience, and appearance in mind. An adequate flat area is required to allow faucet base to rest securely. The faucet fits through a 1-3/8" hole. Most sinks have pre-drilled 1-3/8" or 1-1/2" diameter holes that may be used for faucet installation. If these pre-drilled holes cannot be used or are in an inconvenient location, it will be necessary to drill a 1-3/8" hole. This procedure may generate dust which can cause severe irritation if inhaled or come in contact with the eyes. The use of safety glasses and respirator for this procedure is recommended.

WARNING: Do not attempt to drill through an all-porcelain sink. If you have an all-porcelain sink, mount the faucet in pre-drilled sprayer hole or drill through countertop next to sink.

WARNING: When drilling through a countertop, make sure the area below the drilled area is free of wiring and piping. Make certain that you have ample room to make the proper connections to the bottom of the faucet.

WARNING: Do not drill through a countertop that is more than 1-inch thick.

WARNING: Do not attempt to drill through a tiled, marble, granite or similar countertop. Consult a plumber or the countertop manufacturer for advice or assistance.

1. Line bottom of sink with newspaper to help prevent metal shavings, parts, or tools from falling down drain.
2. Place masking tape over the area to be drilled to help prevent scratches if drill bit slips.
3. Mark hole with center punch. Use a 1/4" drill bit for a pilot hole.
4. Using a 1-3/8" hole saw, drill a hole completely through the sink. Smooth the rough edges with a file.

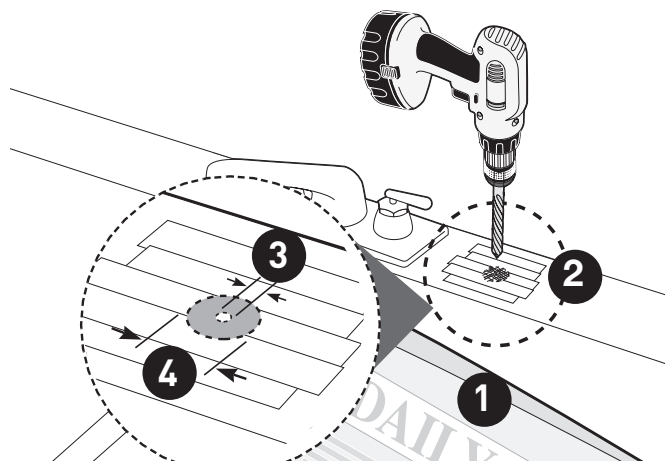


Figure 2

Mounting the Faucet

1. Loosen stem-nut on faucet, remove metal "C" disc (if attached).
2. Attach large diameter 3/8" (red) drain tube to barb fitting at the faucet base. This tube should be long enough to reach the drain clamp.
3. Locate the 1/4" red brine tube that has a preassembled quick-connect elbow on one end. Connect the open end to the small barb on the faucet. Make certain that the tube is not kinked or stressed once the head assembly is mounted.
4. Slide chrome plate and black rubber washer onto faucet by threading both drain tubes through the holes in the plate and washer.
5. Slide white extension onto long threaded section of faucet. Open end of extension should come in contact with base of faucet.
6. Slide the washer then the lock washer up threaded section and thread stem nut on. Do NOT tighten nut at this time.
7. Apply three (3) to five (5) wraps of plumbers tape to faucet stem. Screw quick-connector onto end of threads.
8. Wet end of blue 3/8" tube. Push into bottom of connector for 3/4". Tug gently to be sure connection is complete.
9. To remove the tube, push on the fittings' collar and pull the tube out.
10. Holding the faucet, feed the three (3) tubes through the hole in the sink. Position the faucet handle at a desired location.
11. Center the faucet and slip "C" disc between the white extension and the bottom of the counter or sink. Tighten the stem nut with a wrench until it is tight.

NOTE: Do not overtighten the lock nut. Snug down and tighten until faucet is secure.

12. Firmly insert goose-neck spout into faucet base.

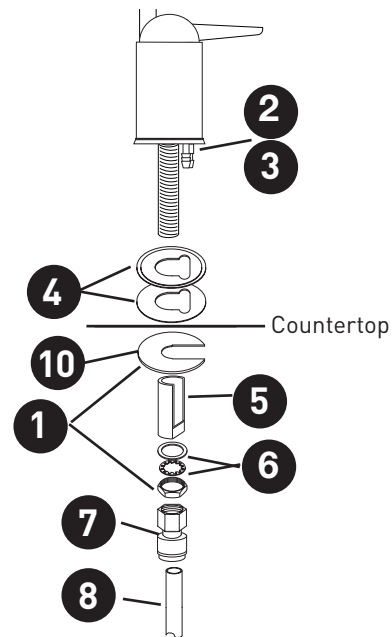


Figure 3

Mounting the System

CAUTION: The filter head assembly should be mounted on a stud or firm surface. The mounting bracket will support the weight of the cartridges and help prevent strain on the water lines.

1. Select location where unit is to be mounted. The head assembly is mounted in a vertical position.
2. When mounting the ROM IV RO System, two (2) screws are required to mount the head. Measure up from the floor of the cabinet 15.5" (39.4 cm). See Figure 4. This will provide clearance to change the cartridges. The two (2) screws will be 14" (35.6) apart and level. Screw the two (2) screws into the wall. Leave a gap between the screw head and the wall of 1/8". The backside of the system head has two (2) slots that will fit over the screw heads and slide down to lock.

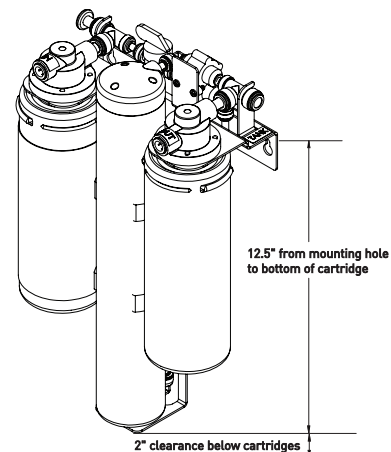


Figure 4

Connecting the Faucet

CAUTION: Water supply to the inlet of the ROM IV RO System should have a separate shut-off valve. If it does not, a separate shut-off should be installed.

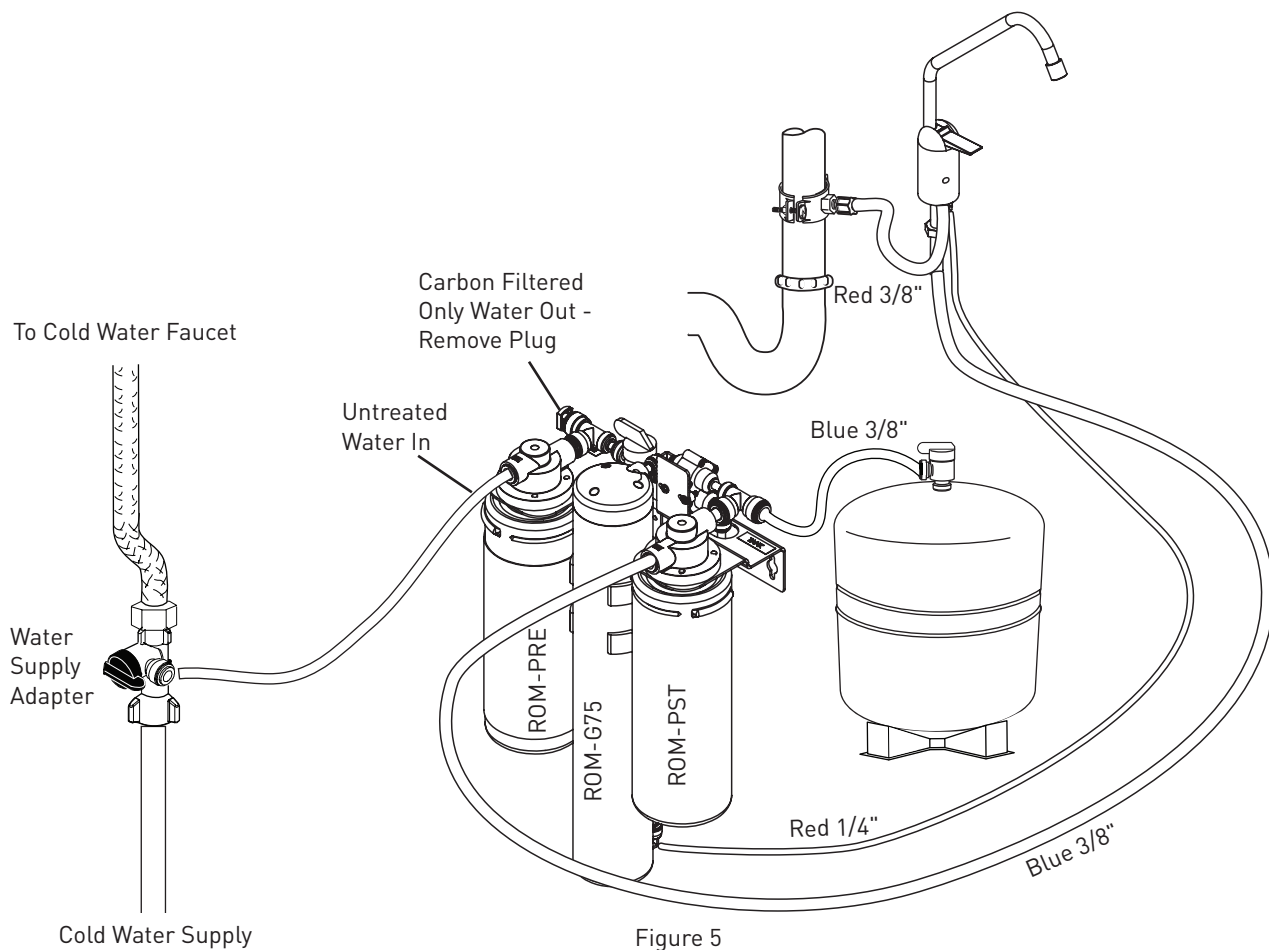
1. Locate the 3/8" blue tubing from the faucet. See Figure 5. The tubing must not have sharp bends or kinks that would restrict water flow. Cut length as needed. Place a mark 3/4" (1.9 cm) from the end of the tubing.

IMPORTANT: A length of this 3/8" blue tubing will be used to connect the storage tank to the manifold. When cutting this tube, plan for the new piece to be used for the tank.

Moisten the end of the tubing with water and insert into the water outlet quick-connect fitting on the head assembly. Push in until the mark is flush with the quick-connect fitting.

2. Gently pull back on the tubing to ensure it is connected properly. If the tubing comes out of fitting, cut a small section off of the tubing and reconnect.

NOTE: Tubing may be quickly and easily removed from the fitting if necessary. First, turn off the water supply to the filter. Open faucet, then press in the collet around the fitting while pulling the tubing with your other hand.



Connecting the Water Supply

1. Determine the length of 3/8" white plastic tubing needed to connect the inlet on the left side of the filter with the water supply. Be sure to allow enough tubing to prevent kinking and cut the tubing squarely. Place a mark 3/4" (1.9 cm) from the end of the tubing.
2. Wet tubing with water and insert tubing into water supply fitting 3/4" (1.9 cm) until mark is flush with fitting.

Installing the Drain Clamp

NOTE: If you have a single-basin sink with a disposal unit, call Technical support at 800.279.9404 for options.

NOTE: Before installing the drain clamp, check the drain pipes under the sink for corrosion. Corroded pipes should be replaced before continuing with installation.

3. Attach the drain clamp to a vertical section of the drain pipe, about 6" (15.2 cm) above the trap. Make sure the opening on the drain clamp is facing towards the drinking water faucet. See Figure 6.

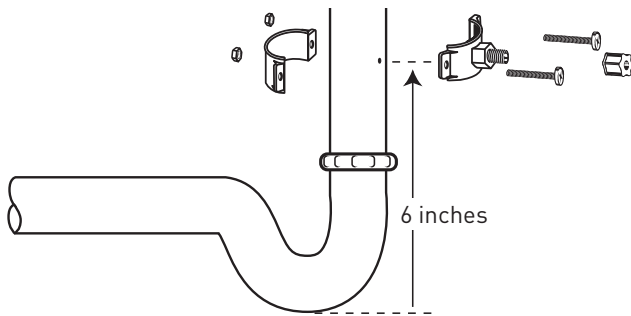


Figure 6

4. Using the fitting hole of the drain clamp as a guide, drill a 1/4" (0.6 cm) hole through one side of the drain pipe. See Figure 7.
5. Remove the drain clamp from the drain pipe and enlarge the hole with a 3/8" (1.0 cm) drill bit. Use a file to remove rough edges from the drilled hole.

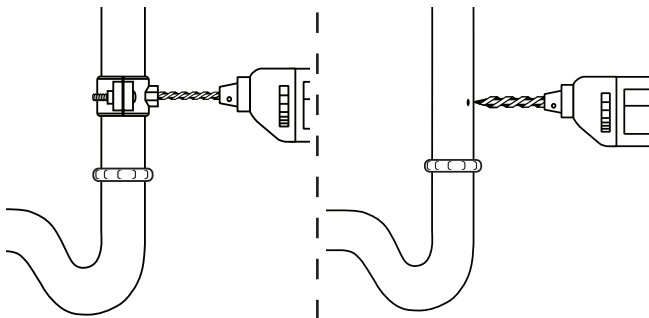


Figure 7

6. Make sure the black rubber gasket is adhered to the inside of the drain clamp and place the drain clamp assembly over the drilled hole. Look through the hole and position the clamp so that the center of the clamp hole is slightly higher (about 1/16") than the center of the drilled hole, see Figure 8. Tighten the clamp securely.
7. Screw the plastic compression nut onto the drain clamp until finger-tight.

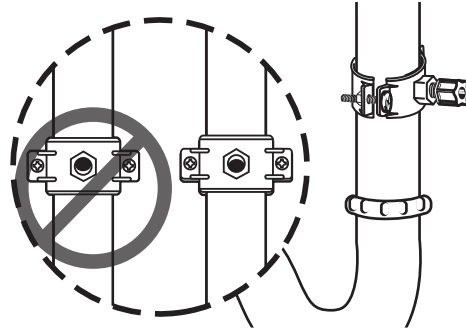


Figure 8

Connecting the Faucet to the Drain

NOTE: This is a gravity-fed drain line. Any loops, kinks or sharp bends must be eliminated before proceeding. Failure to create a straight line to the drain may result in reject water leaking through the air gap in the faucet onto the countertop and below the faucet.

1. Align the 3/8" red tubing from the faucet with the compression nut on the drain clamp, see Figure 9. Create as straight a path as possible with the tubing. Cut the tubing squarely below the nut and remove the internal and external burrs.
2. Loosen the compression nut two (2) complete turns. Insert the tubing into the nut until it stops. Tighten with fingers, then tighten one (1) to two (2) turns with a wrench.

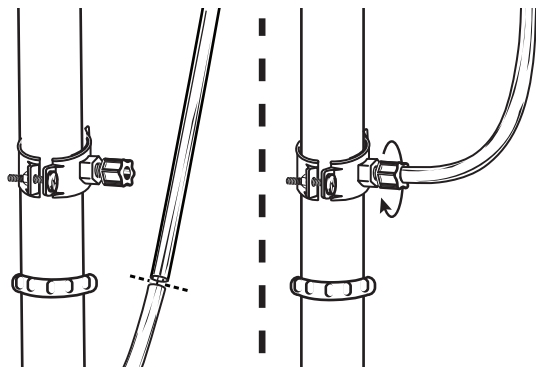


Figure 9

INSTALLING THE CARTRIDGES

The cartridges are identified by the color of the label and the model number.

Cartridge #1: Everpure ROM-PRE Filter Cartridge

Cartridge #2: Everpure ROM-G75 RO Cartridge

Cartridge #3: Everpure ROM-PST Filter Cartridge

Install the cartridges in order. If the cartridges are installed out of order, the system will not filter correctly.

Install the ROM-G75 Cartridge

The ROM-G75 Reverse Osmosis (RO) Cartridge is installed in the vertical position. There are three (3) quick-connect ports that are labeled.

- Inlet - White
- Permeate (product water) - Blue
- Drain - Red

This cartridge is installed before the two outside cartridges. The manifold assembly should already be mounted securely.

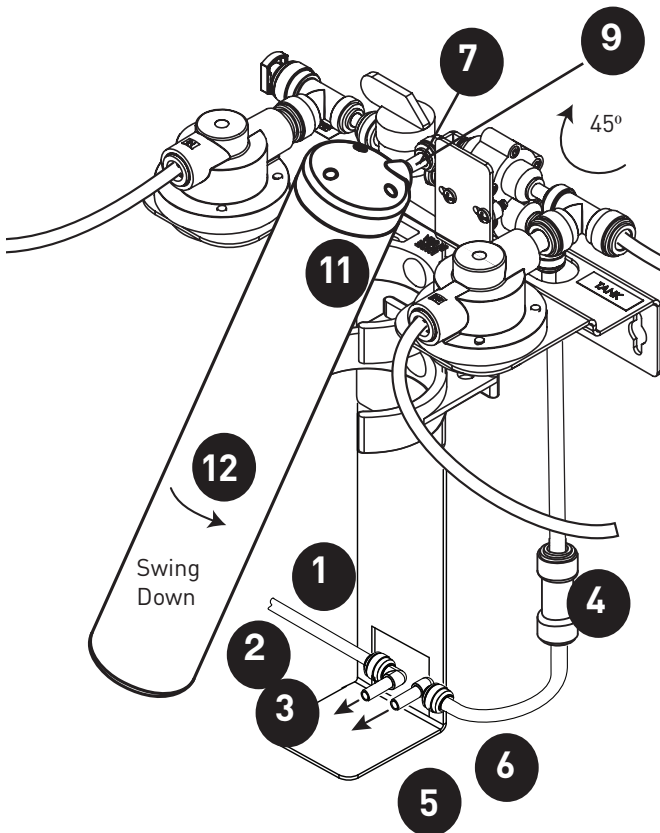


Figure 10

The numbers in Figure 10 refer to the steps below.

1. Locate the red drain tubing with the preassembled elbow fitting. This tube has already been assembled to the faucet.

CAUTION: DO NOT remove the quick-connect elbow fitting from the red tubing. This assembly contains a flow control that may become damaged if removed. The efficiency of the ROM IV RO System may be affected.

2. Mark the short piece of red drain tubing 5/8" (1.6 cm) from the end.
3. Insert the tube into the red drain port at the bottom of the cartridge, Figure 11. Push it in until the mark is flush with the quick-connect fitting.
4. The product water tube (blue) is preassembled to the manifold. Inspect the check valve to be certain the flow is in the upward direction.
5. Mark the short piece of tubing 5/8" (1.6 cm) from the end.
6. Insert the tube into the blue permeate port at the bottom of the ROM-G75 Cartridge, Figure 11. Push it in until the mark is flush with the quick-connect fitting.
7. Locate the tubing that will become installed into the inlet port of the ROM-G75 Cartridge. The tubing should be installed in the elbow fitting coming out of the auto shut-off valve. The length of the tube that is visible must be 1" (2.5 cm).
8. Measure 5/8" (1.6 cm) from the end of the tube and mark it.
9. Rotate the quick-connect elbow upward 45°.
10. Position the ROM-G75 Cartridge so the inlet port is in position in front of the tubing. The cartridge will be tipped out at the bottom and will not yet be held by the clips.
11. Push the cartridge onto the tubing until the 5/8" (1.6 cm) mark is flush with the quick-connect fitting.
12. Swing the cartridge down. The elbow fitting must move with the cartridge. The cartridge will snap into the two clips. The tubing and the elbow should point directly into the inlet port.
13. If the tubing does not position directly into the inlet port, the cartridge should be slid up or down as needed.

NOTE: The bottom of the ROM-G75 Cartridge will be supported by the lower leg of the bracket.

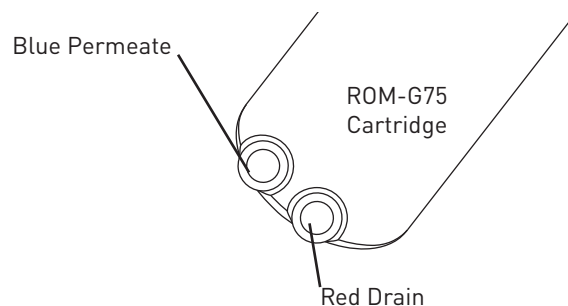


Figure 11

Install the ROM-PRE Cartridge

Locate the ROM-PRE Cartridge and inspect the o-rings. They should be clean and lightly lubricated with silicone grease.

1. Line up the tabs with the slots in the opening on the left side of the head assembly. See Figure 12.
2. Insert the cartridge to full depth.
3. Rotate the cartridge 90° to the right (clockwise) to lock it in place.

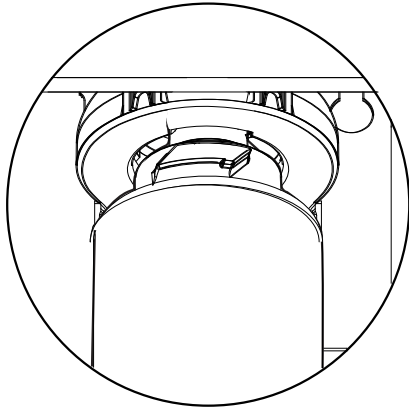


Figure 12

Install the ROM-PST Cartridge

Locate the ROM-PST Cartridge and inspect the o-rings. They should be clean and lightly lubricated with silicone grease.

1. Line up the tabs with the slots in the opening on the right side of the head assembly. See Figure 12.
2. Insert the cartridge to full depth.
3. Rotate the cartridge 90° to the right (clockwise) to lock it in place.

Connecting the Storage Tank to the System

CAUTION: When tank is full, it weighs approximately 30 lbs (13.6 kgs). Provide ample support under the tank.

1. Thread the tank valve onto the tank opening by turning it clockwise until snug.
2. Locate the piece of blue tubing (cut off earlier) and mark it 3/4" (1.9 cm) from the end. Moisten one end of the blue tubing with water and insert with a twisting motion into the port of the tank valve until the 3/4" mark is flush with the quick-connect fitting.
3. Mark the remaining end 3/4" (1.9 cm) from the end. Wet the end and insert into the open connection on the last (right side) head until the 3/4" mark is flush with the quick-connect fitting.

NOTE: The pressurized storage tank has capacity of 3.2 gals (12.1 L). The tank's air pressure is factory-set at 5 to 7 psi when tank is empty.

PUTTING THE SYSTEM INTO OPERATION

CAUTION: Make certain head assembly is firmly attached to wall to prevent it from falling and possibly becoming damaged.

NOTE: The ROM IV RO System does not produce a high volume of water on-demand as an ordinary filter does. Water is produced at a slow, drop-by-drop rate. The system requires about three (3) hours to fill the storage tank. As water is taken from the tank, the system automatically starts the cycle of replacing the water and then stops water production when the tank is full.

There are several steps that must be followed to properly place the ROM IV RO System into operation. Before the supply water is turned ON, see Figure 13:

- Remove quick-connect plug on the left end of the manifold and connect the port with tubing to a drain.
- Turn shut-off valve to the OFF position.
- Turn tank valve to the OFF position.
- The faucet lever should be closed.

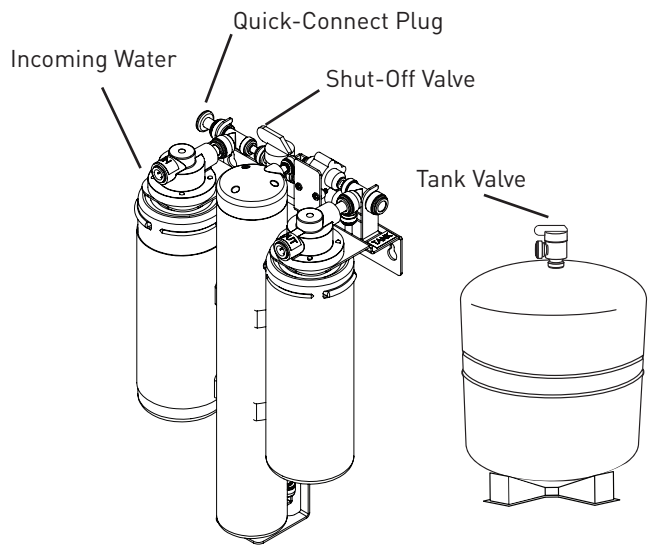


Figure 13

1. To flush the ROM-PRE Cartridge to a drain, remove the quick-connect plug on the left end of the manifold and insert a temporary length of tubing into the connection.

NOTE: Tubing and ball valve are supplied.

Turn on the incoming water supply. Flush the ROM-PRE Cartridge to a drain for five (5) minutes at full flow to remove any carbon fines.

CAUTION: Failure to flush the ROM-PRE Cartridge will damage the ROM-G75 RO Membrane Cartridge. This condition will void the warranty.

2. After five (5) minutes, close the incoming water valve. Remove the temporary tubing and re-insert the quick-connect plug.

3. Make sure tank valve is in the open position.
4. Open the shut-off valve.
5. Slowly turn on incoming water supply.
6. Open the faucet to turn on flow. Let the faucet run/drip for 12 hours, then close it.
7. Allow three (3) hours for the tank to fill. Continue to periodically check the installation for leaks. After the storage tank is filled, open the faucet to flush the postfilter cartridge (on the right side of the filter housing assembly). Allow four (4) to five (5) minutes for all of the water to drain from the tank. Close faucet and allow tank to fill.
8. Repeat Step 7 three (3) times.

CAUTION: Visually check the entire system for leaks. If a leak is present, see Troubleshooting.

NOTE: Initially, the water may appear cloudy. This is a result of air trapped in the postfilter cartridge. It is not harmful and will disappear in a matter of minutes. It may take up to a week after installing a new postfilter cartridge for the trapped air to dissipate.

The system is ready for operation. You can now enjoy quality water from the ROM IV RO System.

TESTING YOUR REVERSE OSMOSIS SYSTEM

Total Dissolved Solids (TDS) Test

NOTE: Under NSF/ANSI Standard 58, it is highly recommended that the product water is tested at least every six (6) months to verify that the system is performing satisfactorily.

WHEN TO CHANGE THE CARTRIDGES

The life of the cartridge depends on the water volume used and the substances in the water. Normally, cartridges should be changed at intervals of 12 months. Replace the cartridge sooner if the water pressure at the faucet begins to drop noticeably or if you notice changes in the taste, color, or flow of the filtered water.

CHANGING THE CARTRIDGES

Replacement Cartridges:

Everpure ROM-PRE Filter Cartridge - EV929675

Everpure ROM-PST Filter Cartridge - EV929676

Everpure ROM-G75 RO Cartridge - EV929775

The prefilter and postfilter cartridges need to be changed when the water pressure at the faucet begins to drop noticeably or if there are changes in taste, color or flow of the filtered water. All cartridges should be changed at the same time. The cartridges are color-coded to indicate which location they are installed into.

NOTE: Only the replacement cartridges listed can be used with this system. Failure to use the recommended replacement cartridges will void your warranty.

1. Place a small pan or towel under the ROM IV RO System to catch any water that may drip. Turn OFF incoming water.
2. Remove the two (2) outside cartridges by twisting each cartridge a 1/4-turn to the left (counterclockwise). Then pull down to release.
3. Remove the center ROM-G75 Cartridge by swinging the cartridge up and out, pivoting at the top connection. Once the cartridge is out of the clips, the quick-connection at the top can be disconnected. Disconnect both tubes from the quick-connect fittings at the bottom.
4. Connect the red and blue tubes at the bottom of the new ROM-G75 Cartridge.
5. Position the new ROM-G75 Cartridge so the inlet port is in position in front of the tubing at the top of the cartridge. Push the cartridge onto the tubing until it reaches full depth. Swing the cartridge down (the elbow fitting must swing with it) into the clips. Adjust the cartridge up or down so the tubing and the elbow point directly into the cartridge.

NOTE: The bottom of the ROM-G75 Cartridge will be supported by the lower leg of the bracket.

6. Position the ROM-PRE Cartridge under the left side head. Line up the tabs on the cartridge with the slots in the head.
7. Push the new cartridge into the head until it can go no further.
8. Twist the cartridge a 1/4-turn to the right (clockwise) until it locks in place. Pull gently down to ensure the cartridge is locked in place.
9. Repeat Steps 6, 7 and 8 for the ROM-PST Cartridge.

CAUTION: The ROM-PRE Cartridge may contain carbon fines that will be removed during the initial flushing. Follow the proper flushing procedure to prevent damage to the ROM-G75 RO Cartridge.

INITIAL FLUSHING OF CARTRIDGES

The installation of new cartridges requires that a preliminary flushing of the cartridges be performed. This initial flushing is required to prevent damage to the RO cartridge.

Refer to page 18, Putting the System into Operation, for the complete flushing procedure.

SANITIZING PROCEDURE - CONTAMINATED WATER SUPPLY/BOIL ALERTS

When the water system has been contaminated or a boil water advisory has been discontinued, the ROM IV RO System must be sanitized. **If a boil water advisory has just been discontinued:** Flush the water lines according to your water supplier's instructions. Open the delivery faucet and flush the system for about 10 minutes, then follow the filter cartridge replacement instructions below.

1. Turn off the water supply and open the faucet to relieve pressure.
2. Remove the filter cartridges and discard in trash. Wash hands with soap and warm water.

NOTE: If a drip pan is used, clean with dish soap and warm water.

NOTE: The following steps require placing bleach into the ROM IV RO System. Pentair Everpure offers a hollow cartridge, Everpure 2JT Flushing/Sanitizing Cartridge (EV9608-10), that is designed for this application. The following steps describe how to use the Pentair Everpure 2JT Cartridge (EV9608-10).

Sanitization Procedure With The Pentair Everpure 2JT Cartridge (EV9608-10)

3. Grasp the tip of the outlet tower center, top of the cartridge and pull out gently. The entire central plug with the long tube attached will come out, leaving a hole.

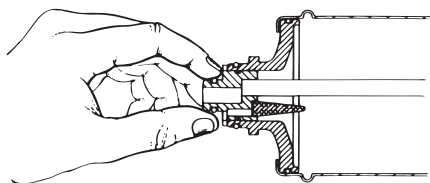


Figure 14

4. Add about a teaspoon of laundry bleach (5.25% sodium hypochlorite solution) to the empty flushing cartridge through the hole in the top.
5. Lubricate o-ring with a high quality silicone lubricant. Replace the central plug assembly and insert the flushing cartridge into the first (left side) installed head.

NOTE: Do not use petroleum jelly to lubricate the o-rings. It will degrade the o-rings.

CAUTION: DO NOT install the ROM-G75 RO Membrane Cartridge for the sanitization procedure. The solution will severely damage the membrane.

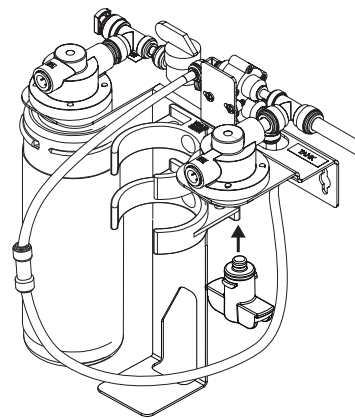


Figure 15

6. Install a port plug into the last (right side) head.
7. When the RO cartridge is removed, the blue tube from the bottom of the cartridge can be used for the sanitizing procedure. Remove the quick-connect elbow on the blue tube and remove the short tube at the top quick-connect elbow.
8. Connect the bottom end of the blue tubing to the quick-connect elbow that is normally connected to the inlet port of the RO cartridge.
9. The tank valve and the manifold shut-off valve should be open. The faucet should be OFF.
10. Slowly open the water supply valve. Open the faucet and monitor the water flowing out of the ROM IV RO System. When the smell of chlorine is present, close the faucet valve. The storage tank will fill with chlorinated water.
11. Wait for a period of at least 30 minutes to allow adequate disinfection time.
12. Turn off the incoming water valve.
13. Open the faucet valve. The storage tank will drain out.
14. When the storage tank is emptied, close the faucet valve and remove the 2JT Cartridge.
15. Install a new ROM-PRE Cartridge in the first (left side) head.
16. Open the faucet valve and slowly open the incoming water valve. Allow water to run for five (5) minutes. This will flush carbon fines out of the new cartridge.
17. Close the faucet allowing the tank to fill three (3) to five (5) minutes.
18. Turn off the incoming water valve.
19. Open the faucet to allow the tank to empty.
20. When the water flow has stopped, close the faucet and open the incoming water valve to refill the tank for three (3) to five (5) minutes.
21. Repeat Steps 17, 18 and 19 four (4) times.
22. Turn off the incoming water valve and open the faucet to remove pressure.
23. Install the new ROM-PST Cartridge in the last (right side) head.

24. Open the faucet and the incoming water valve. Allow water to run for five (5) minutes to flush the ROM-PST Cartridge. Then close the incoming water valve.
25. Install a new ROM-G75 RO Cartridge.
26. Open the incoming water valve. Allow the faucet to drip for 12 hours to flush the RO cartridge.
27. Close the faucet. The storage tank will fill.

The ROM IV RO System is ready for operation.

TROUBLESHOOTING

NOTE: If leaks persist, or if there are other leaks on system, turn off water supply and call Technical Support 800.279.9404.

Leaks Between Cartridge and Filter Housing

1. Turn off cold water supply to system. Close tank valve. Open drinking water faucet to relieve water pressure.
2. Remove the cartridge, inspecting it for damage. Inspect o-rings to make sure they are seated and clean.
3. Insert and twist the cartridge back into the filter housing.
4. Turn on water supply. Open tank valve. Close drinking water faucet after water begins to flow. If leaks persist, call Technical Support.

Leak Between Tank Valve and Storage Tank

1. Turn off water supply to system. Open faucet to drain storage tank. Let faucet run for three (3) to five (5) minutes until it drips.
2. Remove blue tubing from tank valve by pressing the collar around the fitting while pulling the tubing with your other hand.
3. Unscrew the tank valve from the storage tank.
4. Inspect the rubber seal inside the threaded area. Repair or replace the valve as needed.
5. Thread the tank valve onto the top of the tank opening by turning it clockwise until snug.
6. Cut off 1" (2.5 cm) of tubing. Tubing should be cut squarely. Internal and external burrs should be removed. Place a mark on tubing 3/4" (1.9 cm) from end of tubing.
7. Wet the tubing and insert until the mark is flush with the quick-connect fitting.
8. Turn water supply on and close drinking water faucet.
9. Allow system to pressurize for several hours and check for leaks.
10. Check for leaks after tank is fully pressurized [one (1) to three (3) hours]. If leak persists, call Technical Support.

Leaks at Quick-Connect Fittings

CAUTION: The 1/4" red tubing connected to the bottom drain connection of the RO cartridge has a flow restrictor installed. The system will not operate correctly if the restrictor is removed.

1. Close tank valve, turn off cold water supply to the system, and open drinking water faucet.
2. Press collar around the quick-connect fitting while pulling the tubing with your other hand.
3. Cut off 1" (2.5 cm) of tubing. Tubing should be cut squarely. Internal and external burrs should be removed. Place a mark on tubing 5/8" (1.6 cm) from end on 1/4-inch tubing or 3/4" (1.0 cm) from end on 3/8" tubing.
4. Wet the end and insert tubing until the mark is flush with the quick-connect fitting.
5. Open the cold water supply until it comes to a stop. Open the tank valve and close drinking water faucet. If leaks persist, call Technical Support.

Leaks from Faucet

1. Check to make sure red tubing leading from the drinking water faucet to the drain is as straight as possible (it is usually necessary to cut this line during installation). Any kinks or sags in this drain line will impede the flow of water to the drain.
2. Check to make sure the drain clamp and the drain hole are properly aligned, refer to Figure 8).
3. Check to make sure there is no foreign matter clogging the drain line or at the drain clamp hole. If leaks persist, call Technical Support.

No Flow or Slow Flow from the Brine (Reject) Line (Less than 6 fl. oz. or 180 mm per minute)

NOTE: Before checking brine (or reject) flow, make sure the unit is producing water by turning the valve on the storage tank off and opening the drinking water faucet. Water should drip from faucet.

1. Replace the prefilter cartridge according to the Changing the Cartridge Instructions on page 19 and recheck the brine (or reject) flow rate.
2. If the prefilter cartridge is not at fault, the brine (or reject) flow controller could be clogged. Call Technical Support.

High TDS in Product Water

1. If high TDS (Total Dissolved Solids) is detected in the product water, the RO cartridge may need to be replaced or the reject flow control tubing may be clogged. If this is a new installation, call Technical Support.
2. Otherwise, draw 1 gal (3.8 L) of water from the unit. After 10 minutes, run water from the faucet and test the water again.
3. Determine when you last changed the RO cartridge and call Technical Support.

Limited Flow at Drinking Water Faucet

1. Turn off water supply to system.
2. Open the faucet to turn on flow.
3. Unscrew the black cap at the base of the storage tank to expose air valve. Use a small air compressor or bicycle pump to add air to the storage tank. This will force the water out of the storage tank through the faucet. Continue to add air until no more water comes out of the faucet.
4. Turn off the drinking water faucet.
5. Using an air pressure gauge, adjust the pressure in the storage tank to 5 to 7 psi (0.34 to 0.48 bar).
6. Replace the black cap.
7. Open the incoming water valve until it comes to a stop. Let the system run one (1) to three (3) hours to fill the tank. A full tank weighs approximately 29.4 lbs (10.2 kgs) pounds. If performance has not improved, call Technical Support.

Sudden Return of Taste and Odor

If shortly after complete servicing, noticeable taste and odors return, contact Technical Support.

If you are experiencing a problem not listed in this manual, shut off the water supply and close the tank valve. Call Technical Support.

PERFORMANCE DATA

IMPORTANT:

Read this performance data and compare the capabilities of this system with your actual water treatment needs.

It is recommended that before installing a water treatment system, you have your water supply tested to determine your actual water treatment needs.

This system has been tested according to NSF/ANSI 58 for the reduction of substances listed below. The concentration of the indicated substances in water entering the system was reduced to a concentration less than or equal to the permissible limit for water leaving the system as specified in NSF/ANSI 58.

NOTES

Check for compliance with state and local laws and regulations.

Do not use with water that is microbiologically unsafe or of unknown quality without adequate disinfection before or after the system.

For installations in Massachusetts, the Commonwealth of Massachusetts Plumbing Code 248 CMR shall be adhered to. Consult your licensed plumber for installation of the system. This system and its installation must comply with state and local regulations.

Systems certified for cyst reduction may be used on disinfected waters that may contain filterable cysts.

Substances that may be reduced are not necessarily in your water. Filter must be maintained according to manufacturer's instructions, including replacement of filter cartridges.

The tested efficiency rating for this system is 18.11%. Efficiency rating means the percentage of the influent water to the system that is available to the user as reverse osmosis treated water under operating conditions that approximate typical daily usage.

The tested recovery rating is 40.17%. Recovery rating means the percentage of the influent water to the membrane portion of the system that is available to the user as reverse osmosis treated water when the system is operated without a storage tank or when the storage tank is bypassed.

Daily Production Rate: 14.66 gpd

This system has been tested for the treatment of water containing pentavalent arsenic (also known as As(V), As(+5), or arsenate) at concentrations of 0.30 mg/L±10 or less. This system reduces pentavalent arsenic, but may not remove other forms of arsenic. This system is to be used on water supplies containing a detectable free chlorine residual or on water supplies that have been demonstrated to contain only pentavalent arsenic. Treatment with chloramine (combined chlorine) is not sufficient to ensure complete conversion of trivalent arsenic to pentavalent arsenic. Please see the Arsenic Facts section of the Performance Data Sheet for further information.

CALIFORNIA PROPOSITION 65 WARNING

WARNING:  **WARNING:** This product contains chemicals known to the State of California to cause cancer or birth defects or other reproductive harm.

Substance	Influent Challenge Concentration	Max Permissible Product Water Concentration	Reduction Requirements	Average Reduction
Standard 58				
Arsenic V	0.30 mg/L ± 10%	0.010 mg/L		97.6%
Barium	10.0 mg/L ± 10%	0.010 mg/L		96.6%
Cadmium	0.03 mg/L ± 10%	0.005 mg/L		98.7%
Chromium III	0.3 mg/L ± 10%	0.1 mg/L		98.5%
Chromium VI	0.3 mg/L ± 10%	0.1 mg/L		96.4%
Copper	3.0 mg/L ± 10%	1.3 mg/L		99.3%
Cysts*	Minimum 50,000/mL		99.95%	99.99%
Fluoride	8.0 mg/L ± 10%	1.5 mg/L		94.5%
Lead	0.15 mg/L ± 10%	0.01 mg/L		99%
Radium 226/228	25 pCi/L ± 10%	5 pCi/L		80%
Selenium	0.10 mg/L ± 10%	0.05 mg/L		97.3%
Total Dissolved Solids	750 mg/L ± 40 mg/L	187 mg/L		95.2%
Turbidity	11 NTU ± 1 NTU	0.5 NTU		99.1%

Daily Production Rate: 14.66 gpd

Arsenic Fact Sheet

Arsenic (abbreviated As) is found naturally in some well water. Arsenic in water has no color, taste or odor. It must be measured by a lab test. Public water utilities must have their water tested for arsenic. You can get the results from your water utility. If you have your own well, you can have the water tested. The local health department or state environmental health agency can provide a list of certified labs. There are two forms of arsenic: pentavalent arsenic [also called As(V), As(+5), and arsenate] and trivalent arsenic [also called As(III), As(+3) and arsenite]. In well water, arsenic may be pentavalent, trivalent, or a combination of both. Special sampling procedures are needed for a lab to determine what type and how much of each type of arsenic is in the water. Check with the labs in your area to see if they can provide this type of service. Reverse osmosis (RO) water treatment systems do not remove trivalent arsenic from water very well. RO systems are very effective at removing pentavalent arsenic. A free chlorine residual will rapidly convert trivalent arsenic to pentavalent arsenic. Other water treatment chemicals such as ozone and potassium permanganate will also change trivalent arsenic to pentavalent arsenic. A combined chlorine residual (also called chloramine) may not convert all the trivalent arsenic. If you get your water from a public water utility, contact the utility to find out if free chlorine or combined chlorine is used in the water system. The system is designed to remove pentavalent arsenic. It will not convert trivalent arsenic to pentavalent arsenic. The system was tested in a lab. Under those conditions, the system reduced 0.30 mg/L (ppm) pentavalent arsenic to 0.010 mg/L (ppm) (the USEPA standard for drinking water) or less. The performance of the system may be different at your installation. Have the treated water tested for arsenic to check if the system is working properly. The RO component of the system must be replaced every 12-24 months to ensure the system will continue to remove pentavalent arsenic. The component identification and locations where you can purchase the component are listed in the installation/operation manual.



System Tested and Certified by NSF International against NSF/ANSI Standard 58 and CSA B483.1 for the reduction of the claims specified on the Performance Data Sheet.

*NSF/ANSI Standard 58 certified to reduce cysts such as *Cryptosporidium* and *Giardia* by mechanical means.
EPA Est. No. 002623-IL-002

EVERPURE ROM IV SISTEMA DE ÓSMOSIS INVERSA (RO)



INTRODUCCIÓN

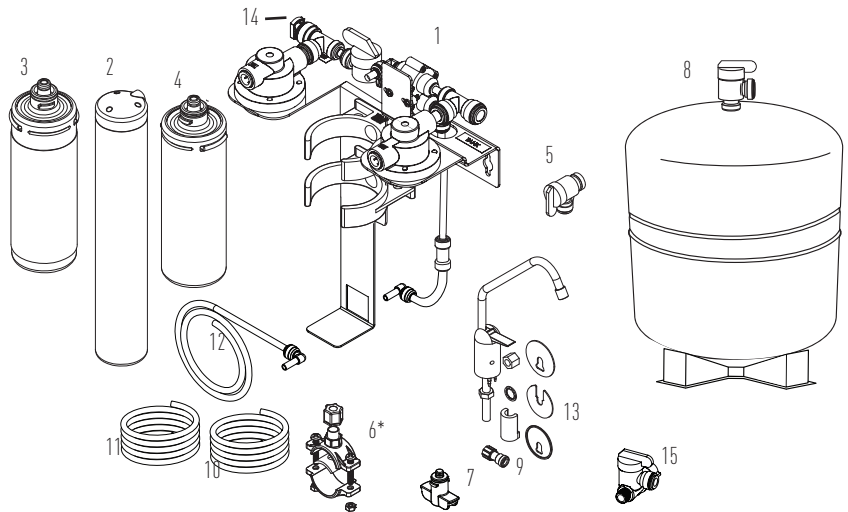
El sistema de ósmosis inversa ROM IV (RO) está diseñado para proporcionar hasta dos (2) años de vida de membrana. Este sistema cuenta con certificación NSF para reducir diversos contaminantes.

INSPECCIÓN

Antes de instalar el sistema ROM IV, inspeccione las piezas. Use la tabla y la ilustración proporcionadas para comprobar las piezas y cantidades. Si faltan piezas, comuníquese con Servicio al cliente: al 800.279.9404 o por correo electrónico a tech-support@pentair.com.

Piezas	Número de pieza
1. Conjunto de la cabeza	Orden especial
2. Membrana de ósmosis inversa ROM-G75	EV929775
3. ROM-PRE Cartucho de prefiltro	EV929675*
4. ROM-PST Cartucho de posfiltro	EV929676*
5. Válvula del tanque	EV311655
6. Válvula de montura del drenaje	EV311754
7. Tapón de puerto	EV310876
8. Tanque de almacenamiento	EV314698
9. Adaptador de llave	EV312938
10. Tubería de plástico de 3/8" (blanco)	EV312843
11. Tubería de plástico de 3/8" (azul)	EV544600
12. Conjunto de tubería de plástico de 1/4" (rojo)	EV305061
13. Llave de agua potable con espacio de aire sin plomo	SH244820
14. Tapón, 3/8" conexión rápida	EV314487
15. Adaptador de suministro de agua	4004337

*Los cartuchos de prefiltro y posfiltro se venden como un conjunto, con el número de pieza EV929670



PIEZAS DE REPUESTO

Comuníquese con su distribuidor Pentair Everpure local para obtener cartuchos de filtro o repuestos para el sistema.

Herramientas necesarias

- Taladro eléctrico o manual
- Llaves ajustables (2)
- Lima
- Lápiz
- Navaja multiusos o cortatubos (para tubería de plástico)
- Destornillador Phillips
- Toalla
- Gafas de seguridad
- Cinta métrica
- Brocas: 1/4" y 3/8"

Materiales opcionales

(Para fregaderos sin orificio adicional para llave de agua)

- Taladro eléctrico o manual
- Cinta de teflón
- Brocas: 1/4" y 3/8"
- Punzón
- Respirador
- Sacabocados de 1-3/8 pulg. bimetálico o con punta de carburo

NOTE: No todas las herramientas mencionadas se necesitarán para la instalación. Lea los procedimientos de instalación antes de comenzar para determinar las herramientas necesarias.

CÓMO SELECCIONAR UNA UBICACIÓN DE MONTAJE

1. Tenga en cuenta el peso de la unidad cuando esté en funcionamiento, es decir, llena de agua. El peso en funcionamiento del sistema de ósmosis inversa ROM IV es:
 - Sistema sin tanque de almacenamiento - 10.2 libras (4.6 kg)
 - Tanque de almacenamiento - 29.4 libras (13.3 kg)
2. La ubicación deberá permitir:
 - Espacio libre mínimo de 2-1/2 pulgadas (6.3 cm) bajo los cartuchos para que se puedan bajar para retirarlos y reemplazarlos.
 - Espacio adecuado para las conexiones de la línea de agua de entrada y salida.
 - Estar cerca de un drenaje para descargar.

DIMENSIONES

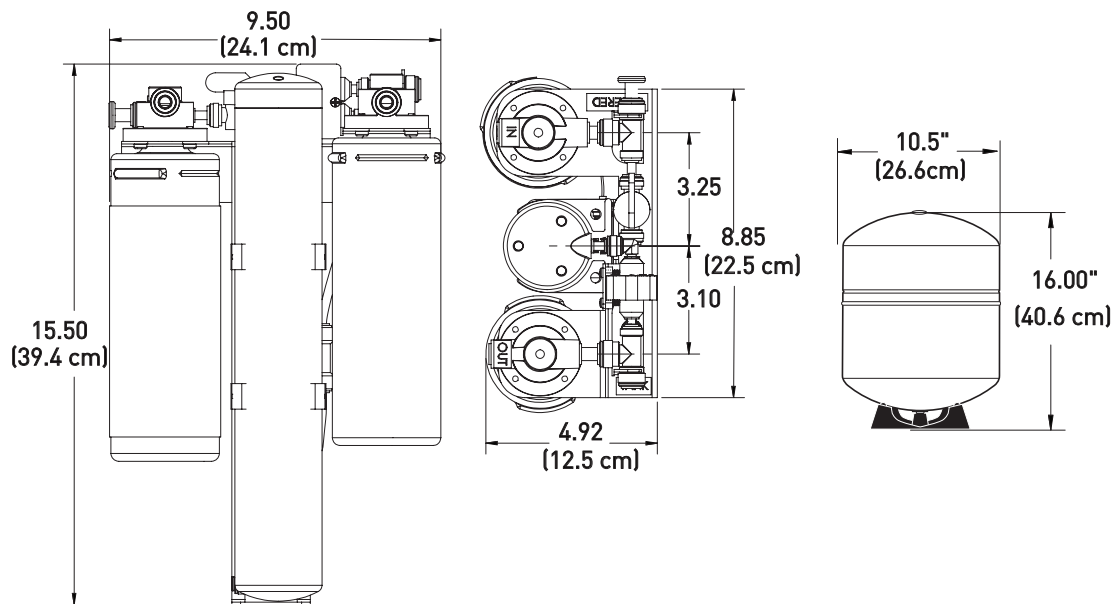


Figure 16

ESPECIFICACIONES DE FUNCIONAMIENTO

WARNING: Antes de instalar el sistema, asegúrese de que el suministro de agua cumpla con las siguientes especificaciones de funcionamiento. No cumplir con las especificaciones puede reducir la efectividad del sistema y anulará la garantía. Consulte con su servicio de tratamiento de agua local o un laboratorio de pruebas de agua certificado para determinar la calidad de su agua.

Temperatura:	32-120 °F (0-49 °C)
Presión:	40-100 psi (2.7-6.89 bar), sin choque
Sólidos disueltos totales:	1000 ppm máximo
Dureza máxima:	143 ppm
Sulfuro, hierro y manganeso:	Menos de 0.1 ppm
Cloro en el suministro de agua:	Cloro libre - 0.1 ppm máximo
Límites de pH del suministro de agua:	4 a 11
Turbidez:	1.0 NTU máximo

Para uso únicamente con agua fría.

PRECAUCIONES GENERALES

WARNING: No se debe utilizar con agua microbiológicamente insegura o de calidad desconocida sin la desinfección adecuada previa o posterior al paso por el sistema. Los sistemas certificados para la reducción de quistes pueden usarse en aguas desinfectadas que pudieran contener quistes filtrables.

WARNING: El sistema de ósmosis inversa ROM IV contiene componentes reemplazables que son cruciales para la eficiencia del sistema. El reemplazo del componente de ósmosis inversa debe hacerse con otra que tenga especificaciones idénticas, según el fabricante, para garantizar la misma eficiencia y el rendimiento de reducción de contaminantes.

WARNING: El sistema de ósmosis inversa ROM IV contiene un cartucho de membrana de ósmosis inversa reemplazable que es crucial para la reducción eficaz de los sólidos disueltos totales. El agua de producto debería analizarse en forma periódica para verificar que el sistema esté funcionando adecuadamente.

WARNING: El sistema de ósmosis inversa ROM IV sólo se deberá usar para reducción de arsénico en suministros de agua clorada que contengan cloro libre residual detectable en la entrada del sistema. Los sistemas de agua que usan un clorador en línea deberán proporcionar un tiempo de contacto con el cloro de un minuto antes de la unidad.

WARNING: El sistema de ósmosis inversa ROM IV no protege de bacterias causantes de enfermedades ni remueve bacterias inofensivas que ocurren en forma natural.

CAUTION: El sistema de ósmosis inversa ROM IV se debe proteger contra el congelamiento que podría causar que la carcasa de filtro se agriete lo que cause una fuga de agua.

CAUTION: Cierre el suministro de agua a la cabeza sin cartucho si la debe dejar sin atención durante un periodo de tiempo prolongado.

CAUTION: No use cinta de calefacción eléctrica en esta unidad.

NOTE: Las sustancias incluidas en la lista de sustancias reducidas no se encuentran necesariamente en su agua. Se debe mantener el sistema según las instrucciones del fabricante, incluyendo el reemplazo de los cartuchos de filtro.

NOTE: El agua debe estar dentro de los límites requeridos para un funcionamiento satisfactorio. De lo contrario, la vida del cartucho de membrana de ósmosis inversa se acortará y se anulará su garantía (ver Especificaciones de funcionamiento).

NOTE: Instale solo en la línea de agua fría.

NOTE: No instale el sistema expuesto a la luz directa del sol.

NOTE: Asegúrese de que la instalación cumple con todas las leyes y normas estatales y locales.

NOTE: Los cartuchos de filtro y el cartucho de la membrana de ósmosis inversa incluidos con el sistema tienen una vida útil limitada. Los cambios en el sabor, olor y color del agua filtrada indican que los cartuchos o la membrana se deberán reemplazar.

NOTE: En los prolongados tiempos de desuso (por ejemplo, durante las vacaciones), retire el cartucho de la membrana y los cartuchos de filtro de la unidad y colóquelos en una bolsa plástica precintada. Guarde los cartuchos en el refrigerador para usos futuros. Al volver a arrancar la unidad vuelva a colocar todos los cartuchos y descargue siguiendo las instrucciones.

NOTE: Si el sistema de ósmosis inversa se encuentra en desuso por más de 2 o 3 días, deberá vaciar el tanque de almacenamiento.

NOTE: Utilice sólo cinta de teflón sin respaldo adhesivo para sellar las juntas. No use lubricante para roscas, pegamentos o compuestos similares en esta unidad; contienen derivados del petróleo que pueden causar cuarteamiento o agrietamiento del plástico en la carcasa de filtro.

INSTALACIÓN

- Lea todas las instrucciones y precauciones antes de instalar y usar su ROM IV.
- Para una instalación normal bajo el fregadero en tuberías de agua fría de acero, latón o cobre de 3/8" (9.52 mm).
- Al seleccionar una ubicación de montaje del sistema y tanque, tenga en cuenta la longitud de la tubería necesaria para las conexiones entre la plomería existente y los componentes del sistema. Algunos sitios de instalación podrían necesitar más tubería que la que se suministra en el kit.
- Los diagramas numerados corresponden a los pasos numerados.

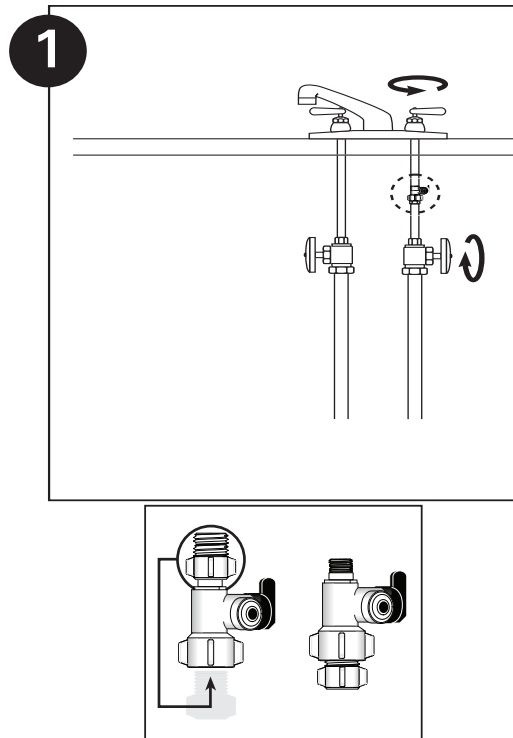
CÓMO INSTALAR EL ADAPTADOR DE SUMINISTRO DE AGUA

El adaptador de suministro es para roscas 1/2"-14 NPS o de compresión de 3/8" x 3/8". Si los códigos locales lo permiten, puede utilizarse para conectar el sistema a la tubería de suministro de agua fría. Si los códigos locales no permiten el uso del adaptador de suministro, sus proveedores locales pueden facilitarles conectores alternativos.

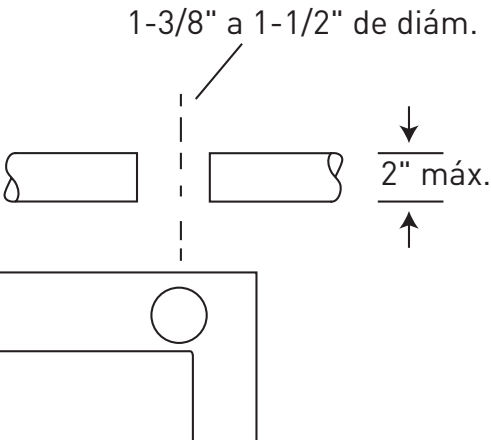
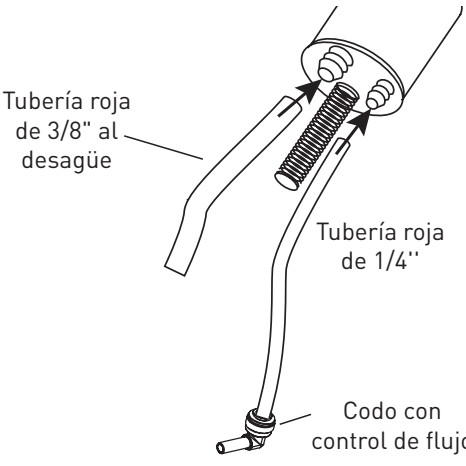
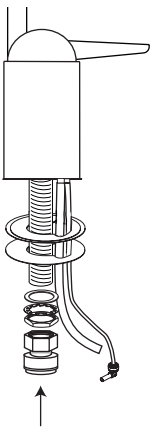
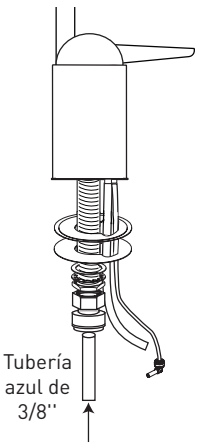
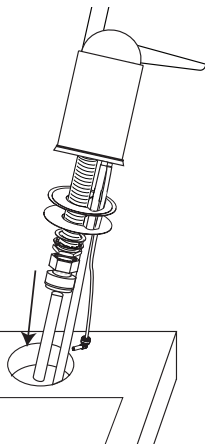
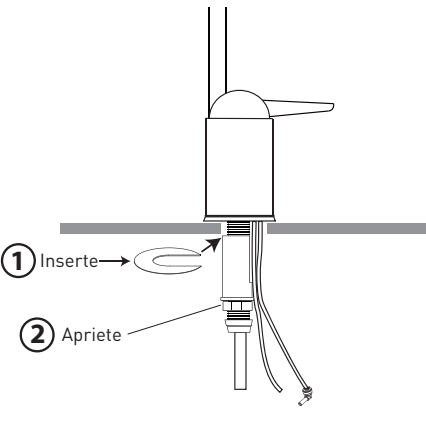
INSTRUCCIONES:

- A. Cierre la tubería de suministro de agua fría. Si la tubería de agua fría no tiene una válvula de cierre bajo el fregadero, deberá instalar una.
- B. Abra la llave de agua fría y permita que se desagüe toda el agua de la tubería.
- C. Desconecte la válvula de suministro de agua fría del tubo vertical.
- D. Asegúrese de que la junta selladora esté completamente asentada en la rosca hembra de la válvula del adaptador de alimentación.
- E. Instale la válvula del adaptador de alimentación sobre la válvula de suministro en la forma deseada. La válvula del adaptador de alimentación se puede instalar en la parte inferior de la manguera de suministro o en la parte superior de la tubería de agua fría. Apriete a mano exclusivamente.
- F. Conecte el tubo vertical a la válvula del adaptador de alimentación.

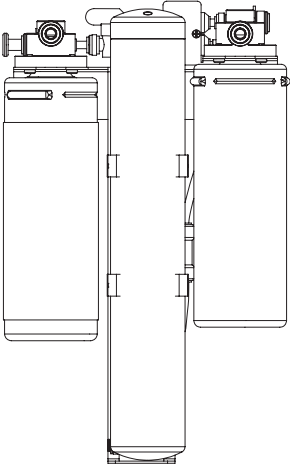
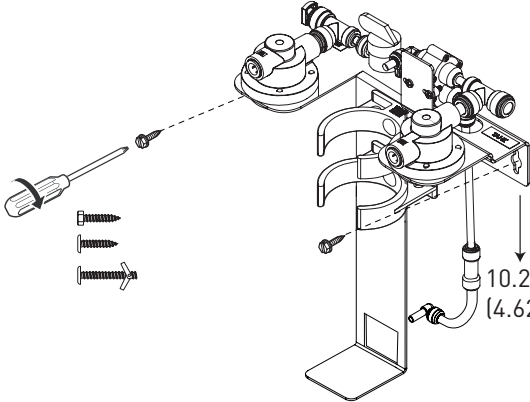
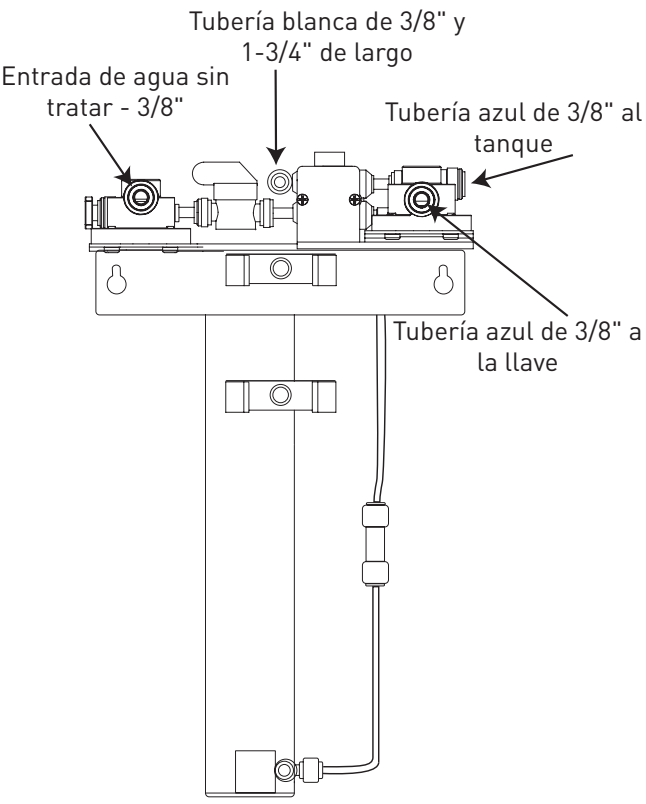
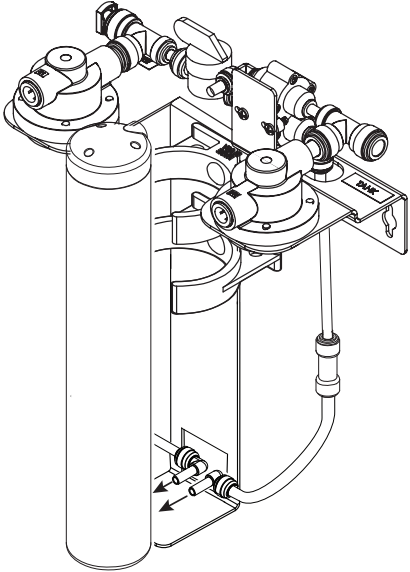
NOTE: Tenga cuidado de no trasroscar.



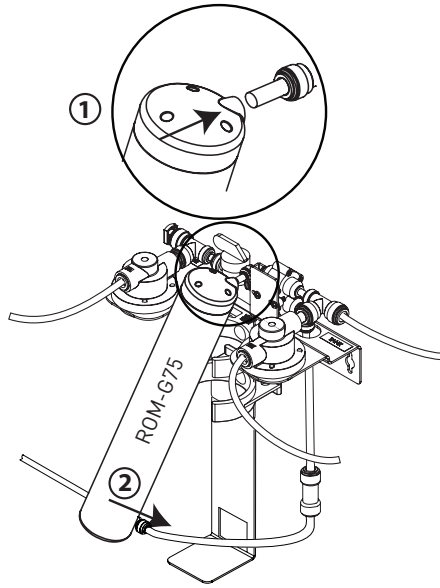
INICIO RÁPIDO DE LA LLAVE

<p>1 Dimensiones del orificio de montaje</p>  <p>1-3/8" a 1-1/2" de diám.</p> <p>2" máx.</p>	<p>2 Una la tubería de agua rechazada</p>  <p>Tubería roja de 3/8" al desagüe</p> <p>Tubería roja de 1/4"</p> <p>Codo con control de flujo</p>
<p>3 Una el conector rápido a la llave</p> 	<p>4 Una la tubería de agua de producto</p>  <p>Tubería azul de 3/8"</p>
<p>5 Coloque la llave</p> 	<p>6 Agregue la arandela en forma de "C" y apriete</p>  <p>① Inserte</p> <p>② Apriete</p>

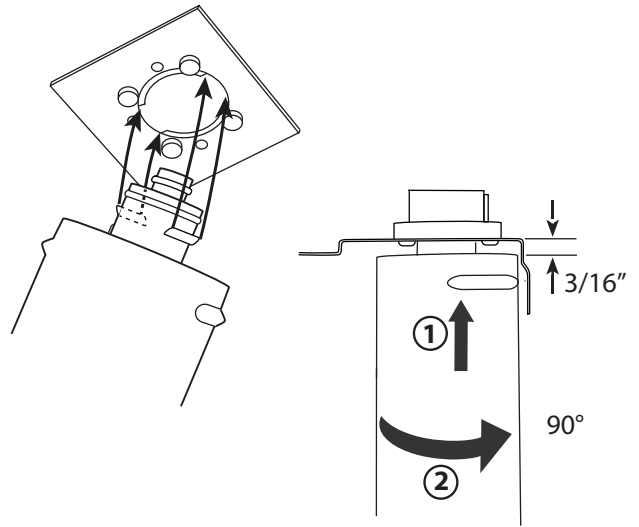
INICIO RÁPIDO DEL SISTEMA

<p>Sistema de ósmosis inversa ROM IV</p>	<p>1 Asegure el colector</p>
	 <p>10.2 libras (4.62 kg)</p>
<p>2 Ubicaciones de tubería</p>	<p>3 Conecte la tubería al cartucho ROM-G75</p>
 <p>Entrada de agua sin tratar - 3/8"</p> <p>Tubería blanca de 3/8" y 1-3/4" de largo</p> <p>Tubería azul de 3/8" al tanque</p> <p>Tubería azul de 3/8" a la llave</p>	

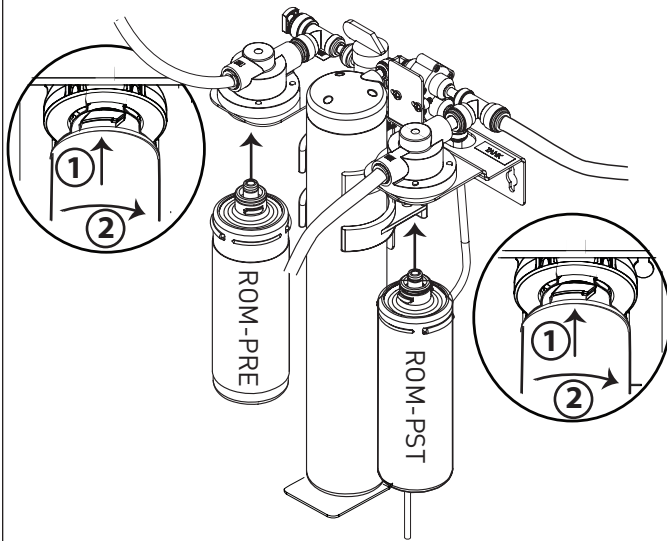
4 Instale el cartucho ROM-G75



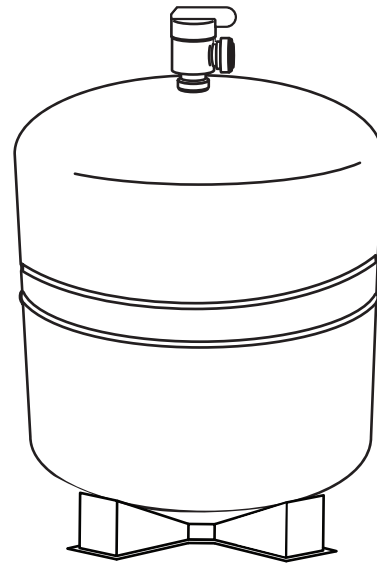
5 Instale los cartuchos



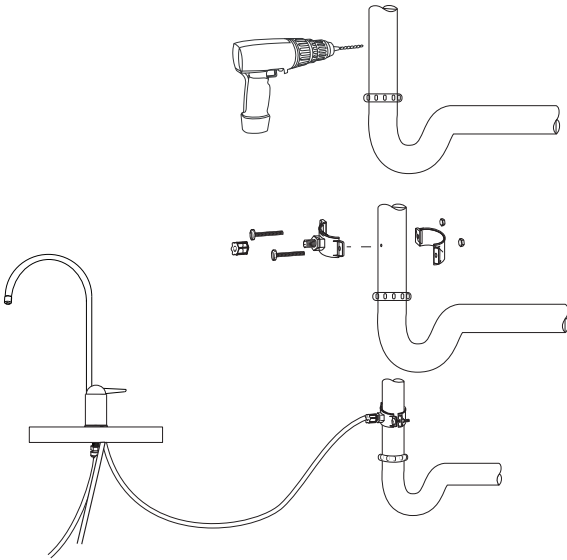
6



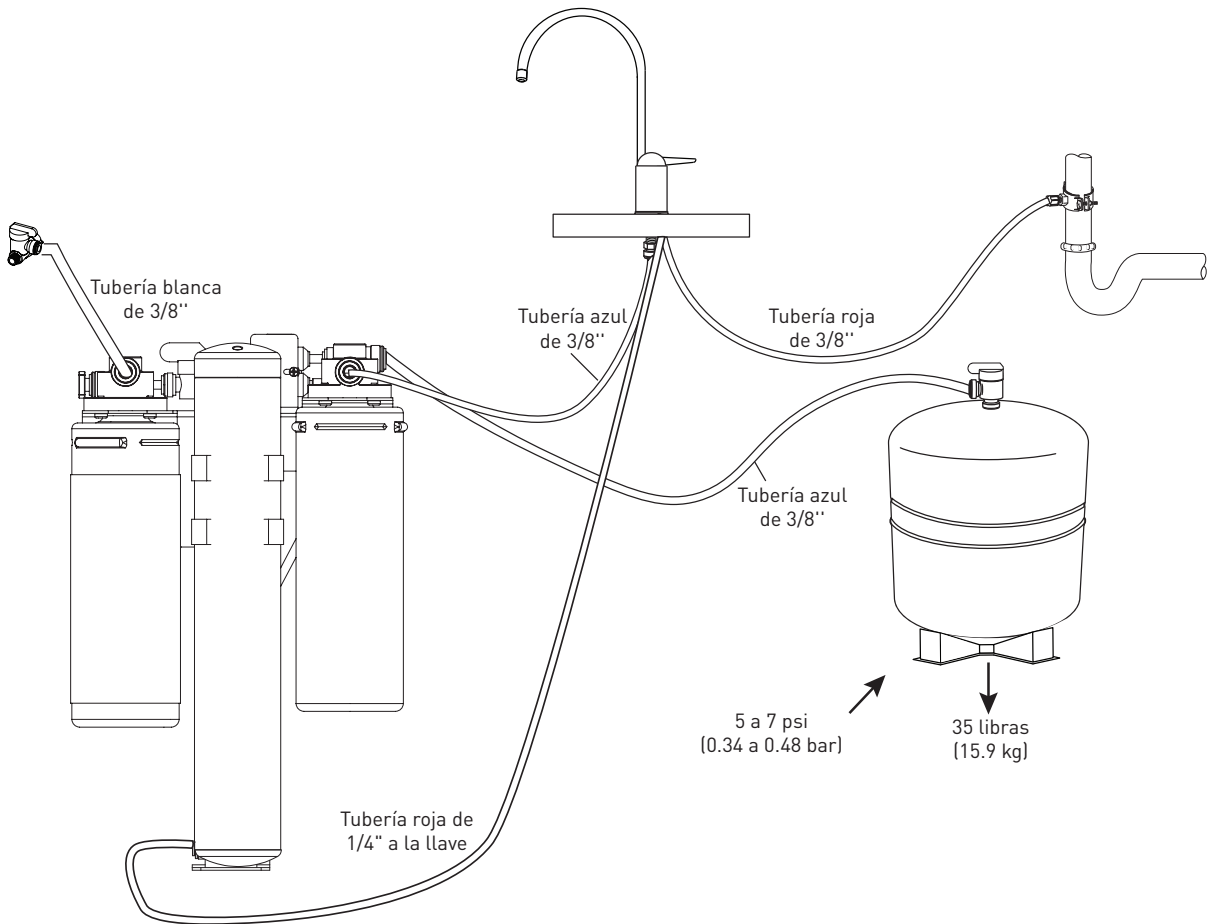
7 Arme el tanque



8 Conecte al desagüe

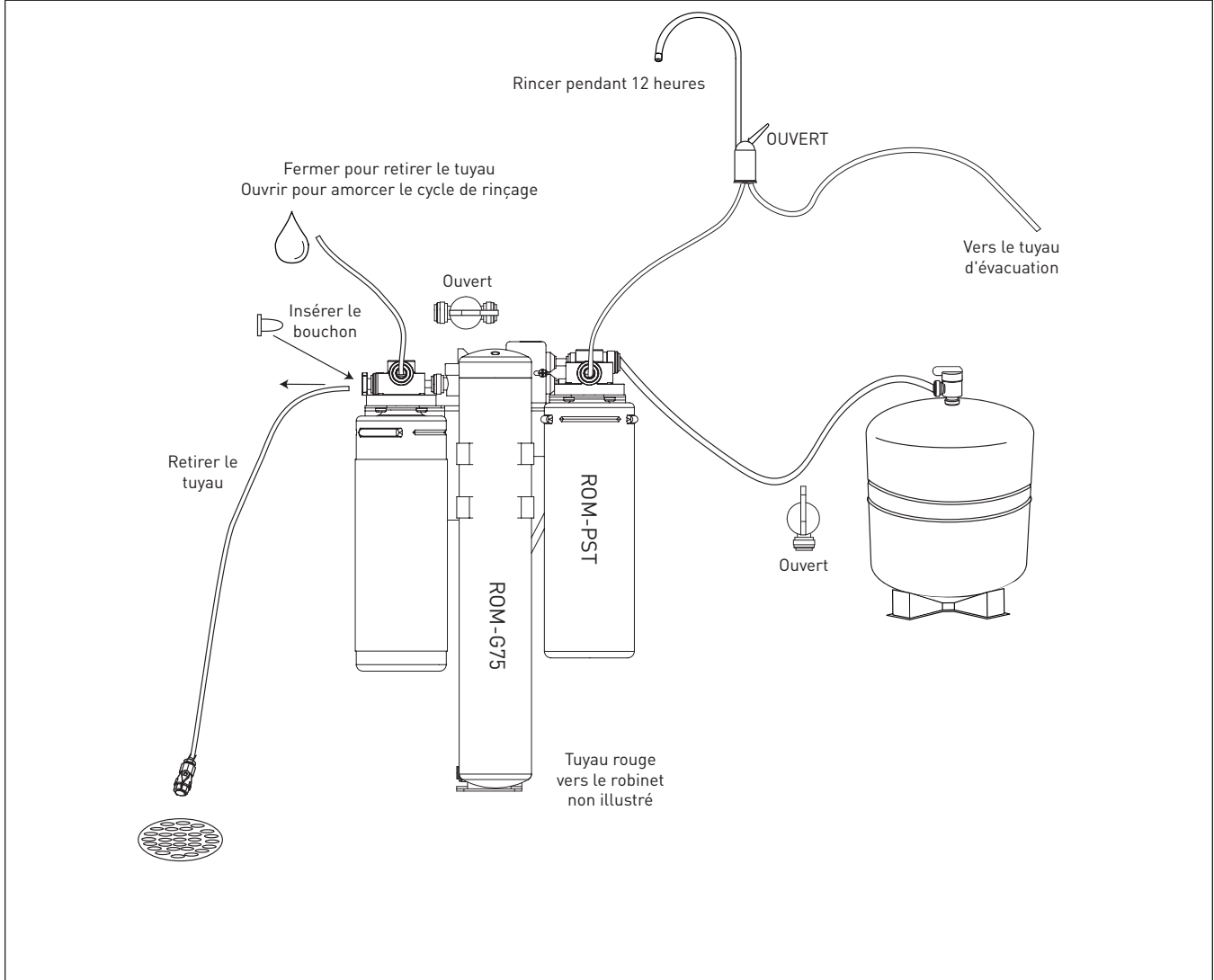


9 Conecte la tubería del tanque



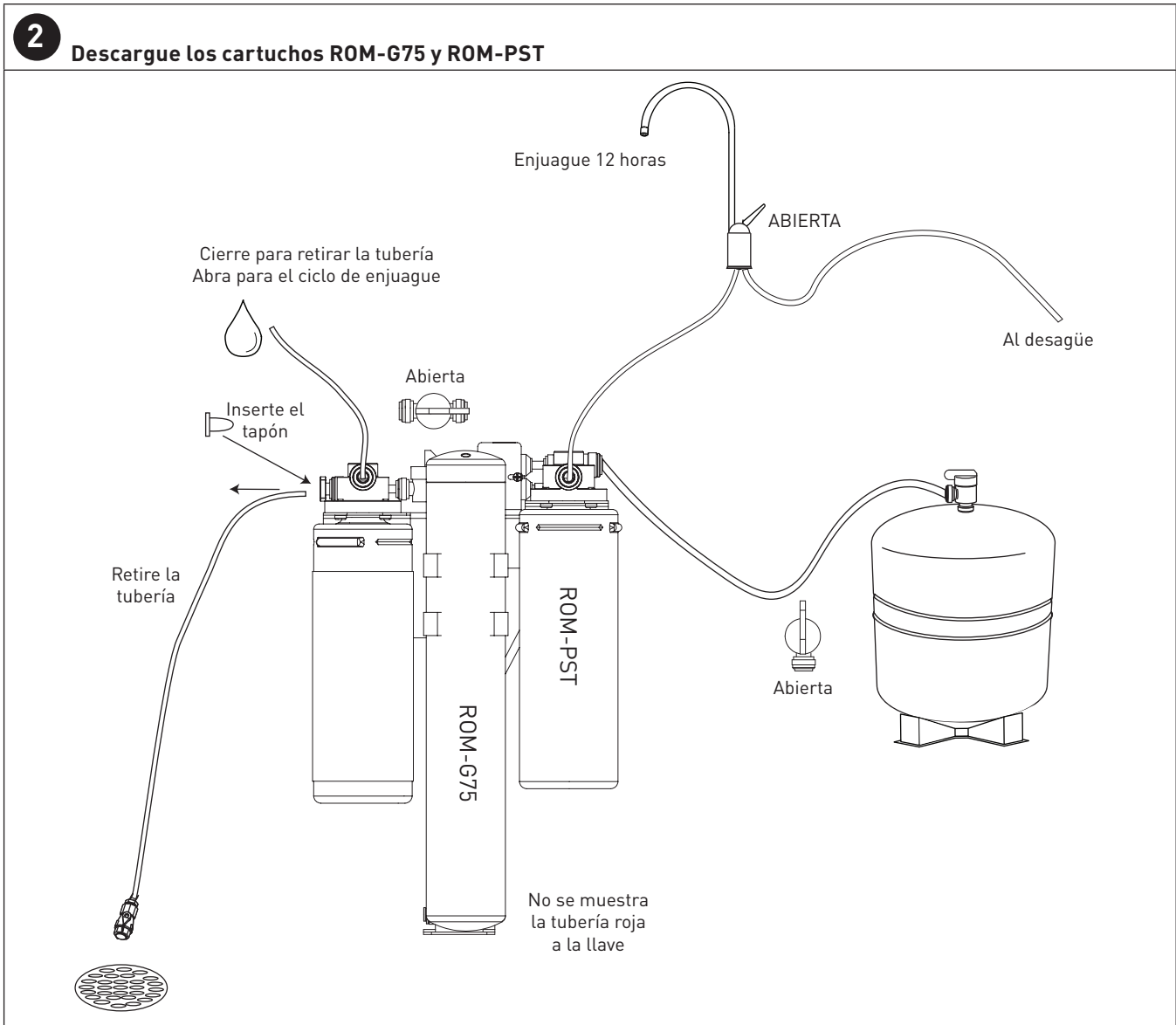
PONGA EL SISTEMA EN FUNCIONAMIENTO INICIO RÁPIDO

1 Descargue el cartucho ROM-PRE

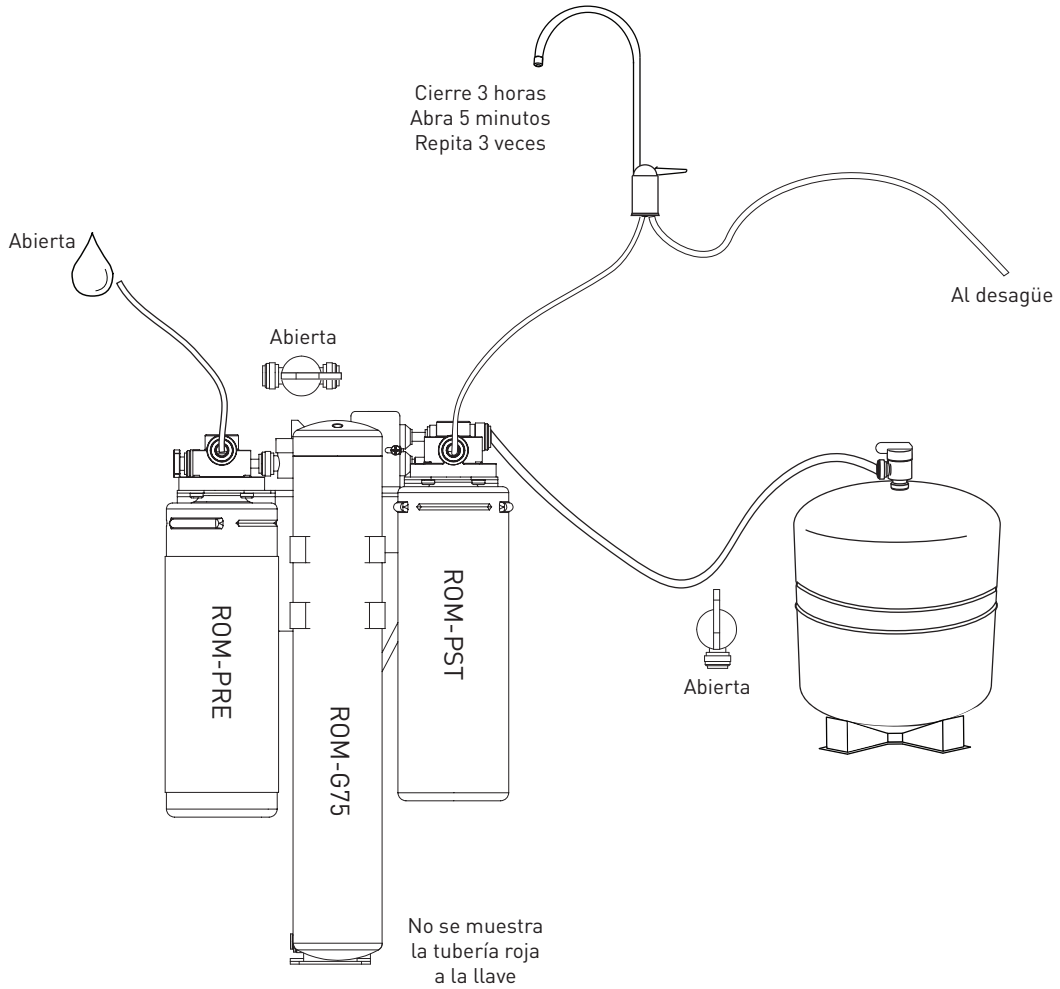


2

Descargue los cartuchos ROM-G75 y ROM-PST



3 Descarga final



NOTE: Use solo agua y jabón para limpiar los componentes.

NOTE: No use aerosoles (insecticida en aerosol, líquidos de limpieza, etc.) cerca del sistema de ósmosis inversa ROM IV. Contienen solventes orgánicos que pueden causar cuarteamiento y agrietamiento del plástico de la carcasa de filtro.

NOTE: Luego de períodos prolongados sin uso, como por ejemplo unas vacaciones, se recomienda enjuagar el sistema a fondo. Deje correr el agua de 2 a 3 minutos antes de usar.

NOTE: No use un soplete cerca de la unidad.

CÓMO FUNCIONA LA ÓSMOSIS INVERSA (RO)

El sistema de ósmosis inversa ROM IV usa una membrana semipermeable para reducir las sales disueltas, y así mejorar el gusto y olor de su agua. El cartucho de membrana de ósmosis inversa está hecho de varias capas de película micro delgada bobinada alrededor de un núcleo hueco. Las moléculas de agua pueden pasar a través del cartucho, mientras las sales disueltas se rechazan.

El suministro de agua se prefiltra para reducir la suciedad y el cloro que pueden contaminar la membrana. El cartucho de ósmosis inversa separa esta agua prefiltrada en AGUA DE PRODUCTO y AGUA RECHAZADA. La presión del agua obliga al agua a pasar por la membrana que está dentro del cartucho de membrana de ósmosis inversa, y hacia el tanque de almacenamiento. Esta es el agua de producto. Las sales disueltas no pueden pasar a través de la membrana y se envían al desagüe como agua rechazada. Cuando se abre la llave, se extrae agua de producto (permeada) del tanque de almacenamiento a través de un filtro pospulidor. El filtro pospulidor quita cualquier sabor u olor restante y le brinda a su familia agua más limpia y de excelente sabor.

El sistema de ósmosis inversa ROM IV también cuenta con una válvula de cierre automático, que cierra el sistema una vez que la presión en el tanque de almacenamiento alcanza 2/3 de la presión del agua de entrada (su presión de agua). Cuando abre la llave para extraer agua del tanque de almacenamiento, la presión en el interior del tanque cae y la válvula de cierre automático se abre. El sistema comienza a funcionar luego, y reabastece el agua que tomó del tanque de almacenamiento. Dependiendo de la eficiencia del sistema, por cada galón de agua producida, se descarga hasta 1 galón (3.79 L) como agua rechazada. El tanque de almacenamiento puede almacenar hasta 3.2 galones (12.1 litros) de agua a la vez.

NOTE: Cuando se usa en las condiciones de operación especificadas en este manual, el cartucho de membrana de ósmosis inversa del ROM IV deberá durar de 12 a 24 meses. El período de vida preciso del cartucho de la membrana de ósmosis inversa dependerá de la calidad del agua que entra al sistema y de la frecuencia con la cual lo utiliza. El uso frecuente previene que las sales disueltas se acumulen en la membrana como sarro. Cuanta más agua tenga que producir el sistema, más durará la membrana.

INSTALACIÓN

NOTE: Lea todas las instrucciones, especificaciones y precauciones antes de instalar y usar su sistema de ósmosis inversa ROM IV.

NOTE: El sistema de ósmosis inversa ROM IV se puede instalar bajo un fregadero, cubierta o enfriador de agua.

NOTE: El sistema de ósmosis inversa ROM IV se instala verticalmente.

NOTE: Los diagramas numerados corresponden a los pasos numerados.

Selección de la ubicación de la llave de agua

NOTE: Se debe prever la funcionalidad, la conveniencia y el aspecto de la llave de agua potable antes de su colocación. Se necesita una superficie plana adecuada de modo que la base de la llave de agua se asiente firmemente. La llave calza en un orificio de 1-3/8" de diámetro. La mayoría de los fregaderos tienen orificios de 1-3/8" o 1-1/2" de diámetro previamente perforados que se pueden utilizar para instalar la llave de agua. Si no se pueden usar estos orificios o están en una ubicación inconveniente, será necesario perforar un orificio de 1-3/8" de diámetro. Este procedimiento puede producir polvo que puede causar una irritación grave si se aspira o entra en contacto con los ojos. Se recomienda llevar gafas de seguridad y un respirador durante este procedimiento.

WARNING: No trate de perforar un fregadero hecho totalmente de porcelana. Si tiene un fregadero hecho totalmente de porcelana, monte la llave de agua en el orificio previamente perforado para el rociador o perfore un orificio en la cubierta adyacente al fregadero.

WARNING: Cuando perfore a través de la cubierta, asegúrese de que no haya cables ni tuberías debajo del área donde se hará la perforación. Asegúrese de que haya un amplio espacio para hacer las conexiones adecuadas en la parte inferior de la llave de agua.

WARNING: No perfore a través de una cubierta de un espesor mayor a 1 pulgada.

WARNING: No trate de perforar a través de una cubierta de azulejo, mármol, granito o materiales similares. Consulte con un plomero o con el fabricante de la cubierta para obtener consejos o asistencia.

1. Cubra el fondo del fregadero con papel de periódico para ayudar a impedir que caigan al drenaje virutas metálicas, piezas o herramientas.
2. Coloque cinta de enmascarar sobre el área que se va a perforar para ayudar a evitar rayones si la broca del taladro se resbala.
3. Marque el orificio con un punzón de marcar. Use una broca de 1/4" para hacer un orificio de guía.

- Usando un sacabocados de 1-3/8" perforo un orificio de un lado a otro del fregadero. Alise los bordes ásperos con una lima.

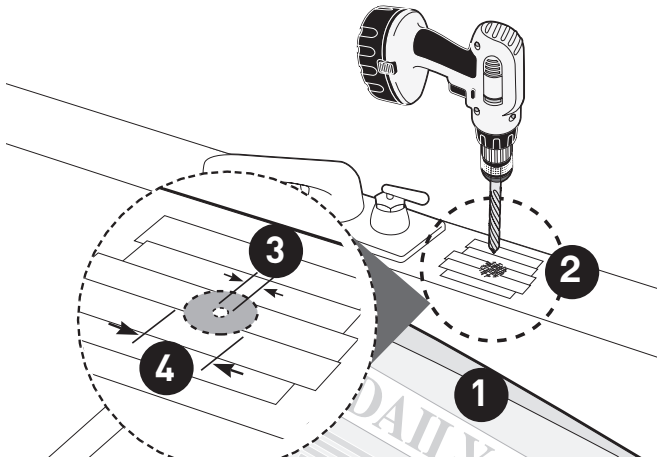


Figure 17

Colocación de la llave de agua

- Afloje la tuerca de vástago que está en la llave y retire el disco metálico en forma de "C" (si está montado).
- Enrosque la tubería de desagüe de diámetro grande de 3/8" (roja) al accesorio de espiga en la base de la llave de agua. Esta tubería debe ser lo suficientemente larga para alcanzar la abrazadera de desagüe.
- Ubique el tubo de salmuera rojo de 1/4" que tiene un codo de conexión rápida preensamblado en un extremo. Conecte el extremo abierto a la pequeña espiga de la llave. Asegúrese de que el tubo no esté retorcido ni tenso una vez que el conjunto de la cabeza esté montado.
- Enrosque ambas tuberías de desagüe a través de los orificios en la placa y la arandela para deslizar la placa cromada y la arandela de caucho negro sobre la llave.
- Deslice la extensión blanca sobre la sección roscada larga de la llave. El extremo abierto de la extensión deberá estar en contacto con la base de la llave.
- Deslice la arandela y luego la arandela de seguridad en la sección roscada y enrosque la tuerca del vástago. NO apriete la tuerca en este momento.
- Aplique de tres (3) a (5) vueltas de cinta de teflón al vástago de la llave. Atornille el conector rápido en el extremo de las roscas de la llave.
- Moje el extremo del tubo azul de 3/8". Empuje a la parte inferior del conector para 3/4". Jale suavemente para asegurarse de que la conexión esté completa.
- Para retirar el tubo, empuje el collarín de la conexión y jale el tubo.
- Sosteniendo la llave, pase los tres (3) tubos a través del orificio en el fregadero. Ponga la empuñadura de la llave en la ubicación deseada.
- Centre la llave y deslice el disco en "C" entre la extensión blanca y el fondo de la cubierta o el fregadero. Apriete la tuerca de vástago con una llave hasta que quede apretada.

NOTE: No apriete de más la contratuerca. Apriete hasta que tope y siga apretando hasta que la llave esté segura.

- Inserte firmemente la boca de cuello de ganso en la base de la llave.

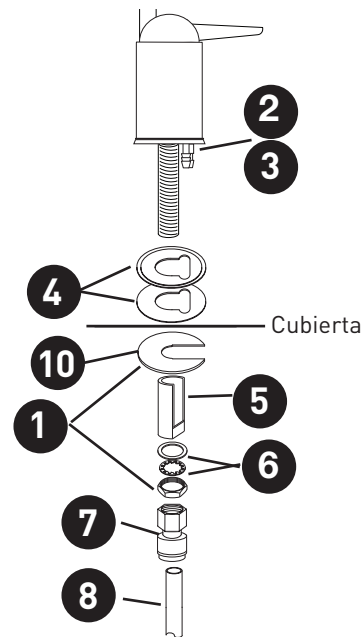


Figure 18

Cómo montar el sistema

CAUTION: El conjunto de la cabeza del filtro se deberá montar en un poste o una superficie firme. El soporte de montaje apoyará el peso de los cartuchos y ayudará a prevenir el esfuerzo en las líneas de agua.

- Seleccione la ubicación en que se va a montar la unidad. El conjunto de la cabeza se monta en una posición vertical.
- Al montar el sistema de ósmosis inversa ROM IV, se necesitan dos (2) tornillos para montar la cabeza. Mida desde el piso del gabinete 15.5" (39.4 cm). Esto dejará espacio libre para cambiar los cartuchos. Los dos (2) tornillos estarán a 14" (35.6) de distancia y a nivel. Atornille los dos (2) tornillos al muro. Deje una separación de 1/8" entre la cabeza del tornillo y el muro. El lado posterior de la cabeza del sistema tiene dos (2) ranuras que se adaptan bajo las cabezas de los tornillos y se deslizan hacia abajo para bloquearse.

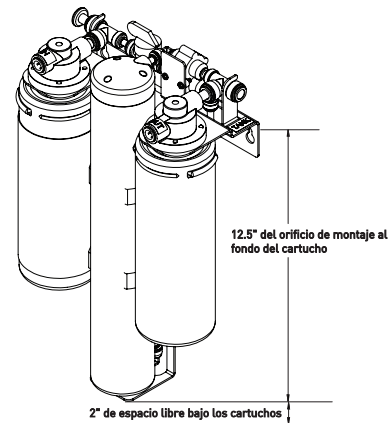


Figure 19

Cómo conectar la llave

CAUTION: El suministro de agua de la entrada del sistema de ósmosis inversa ROM IV deberá tener una válvula de cierre separada. Si no la tiene, se deberá instalar una válvula de cierre separada.

1. Inserte la tubería azul 3/8" de la llave de agua. Vea Figure 20. La tubería no deberá tener curvas peligrosas ni dobleces que restrinjan el flujo de agua. Corte la longitud según sea necesario. Ponga una marca a 3/4" (1.9 cm) del extremo de la tubería.

IMPORTANTE: Se usará un tramo de esta tubería azul de 3/8" para conectar el tanque de almacenamiento al colector. Al cortar esta tubería considere la nueva pieza que se usará para el tanque.

Humedezca el extremo de la tubería con agua e inserte dentro del acoplamiento de conexión rápida de la salida de agua en el conjunto de la cabeza. Empuje hasta que la marca esté al ras con el acoplamiento de conexión rápida.

2. Jale levemente de la tubería para corroborar que esté correctamente conectado. Si la tubería se sale del acoplamiento, recorte una pequeña sección de la tubería y vuelva a conectar.

NOTE: La tubería se puede retirar rápida y fácilmente de la conexión si es necesario. Primero, corte el suministro de agua al filtro. Abra la llave, luego introduzca a presión la presilla mientras jala la tubería con la otra mano.

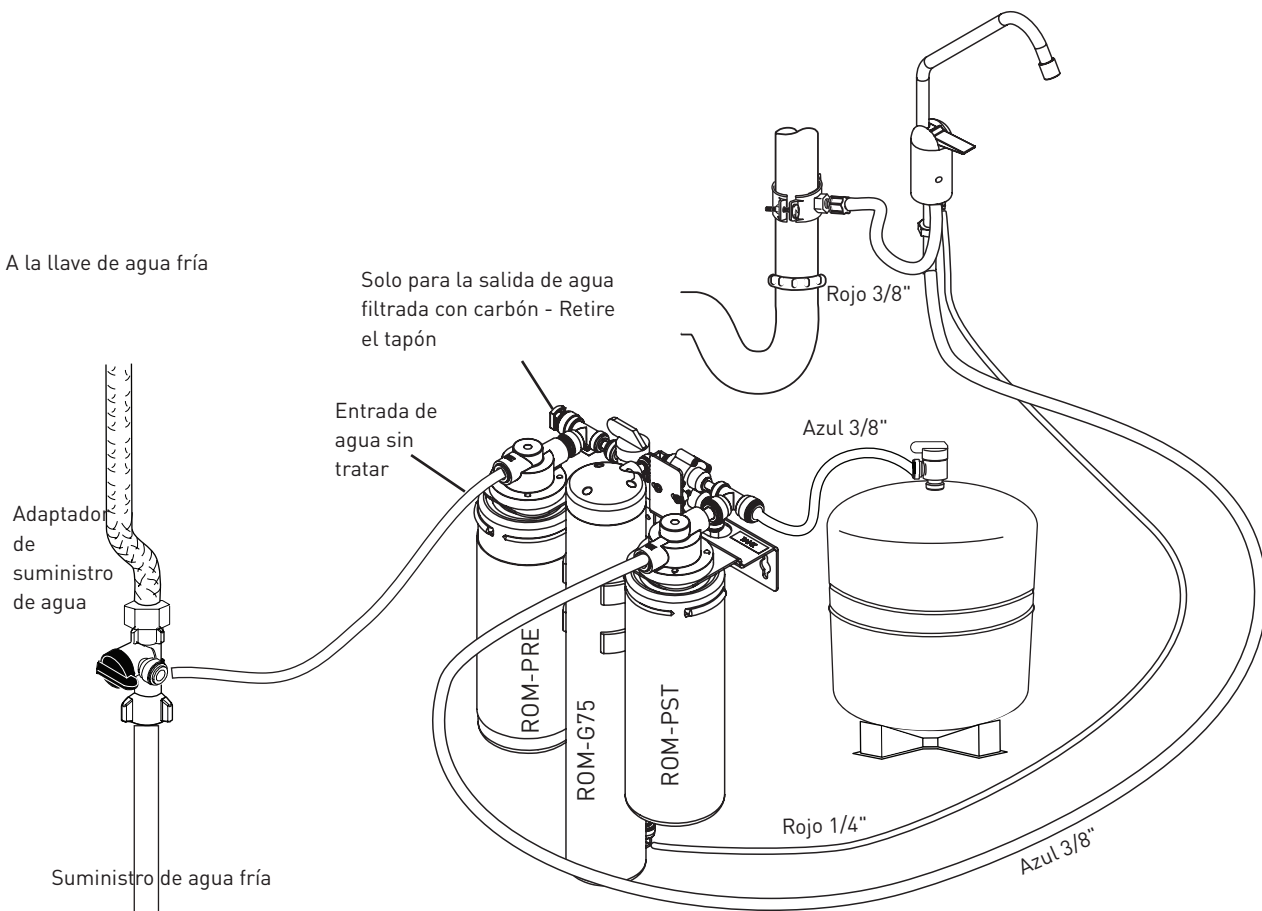


Figure 20

Cómo conectar al suministro de agua

1. Determine la longitud de la tubería de plástico blanco de 3/8" necesaria para conectar la entrada en el lado izquierdo del filtro con el suministro de agua. Asegúrese de dejar suficiente tubería para evitar retorcimientos y corte el tubo en ángulo recto. Ponga una marca a 3/4" (1.9 cm) del extremo de la tubería.
2. Moje la tubería con agua e insértela en el acoplamiento del suministro de agua 3/4" (1.9 cm) hasta que la marca esté al ras con el acoplamiento.

Instalación de la abrazadera de desagüe

NOTE: Si tiene un fregadero de una sola tina con un triturador, llame a Asistencia Técnica al 800.279.9404 para obtener más opciones.

NOTE: Antes de instalar la abrazadera de desagüe, revise si las tuberías de desagüe bajo el fregadero tienen corrosión. Las tuberías con corrosión deben ser reemplazadas antes de continuar con la instalación.

3. Coloque la abrazadera de desagüe en una sección vertical de la tubería de desagüe, alrededor de 6" (15.2 cm) sobre el sifón. Asegúrese de que la abertura de la abrazadera de desagüe esté viendo hacia la llave de agua potable. Vea Figure 21.

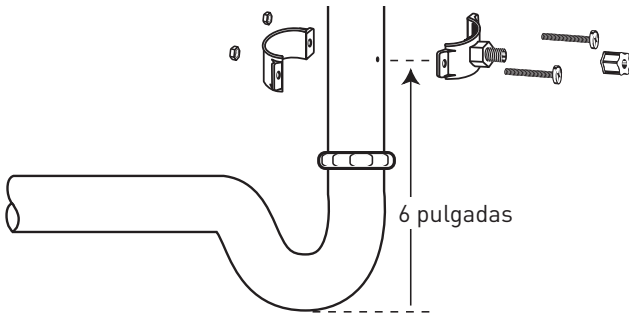


Figure 21

4. Con el orificio del acoplamiento de la abrazadera de desagüe como guía, perforo un orificio de 1/4" (0.6 cm) a un lado de la tubería de desagüe. Vea Figure 22.
5. Quite la abrazadera de desagüe de la tubería de desagüe y agrande el orificio con una broca de 3/8" (1.0 cm). Utilice una lima para quitar los bordes ásperos del orificio perforado.

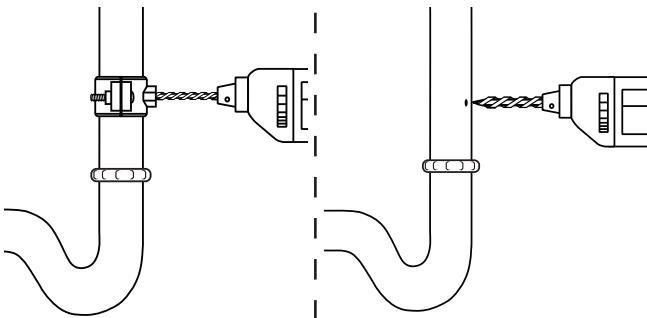


Figure 22

6. Asegúrese de que la junta de caucho esté adherida al interior de la abrazadera de desagüe y coloque la abrazadera de desagüe sobre el orificio perforado. Mire a través del orificio y posicione la abrazadera para que el centro del orificio de la abrazadera sea apenas más alto (alrededor de 1/16") que el centro del orificio perforado, vea la Figure 23. Apriete la abrazadera firmemente.
7. Atornille la tuerca de compresión plástica a la abrazadera de desagüe hasta que no pueda apretar más con la mano.

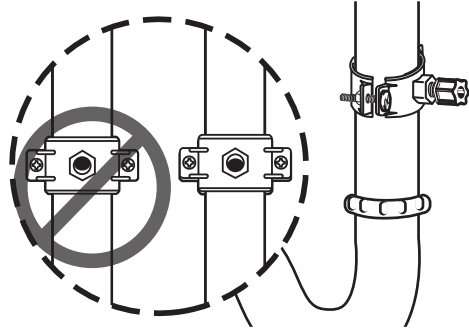


Figure 23

Conexión de la llave de agua al desagüe

NOTE: Esta es una línea de desagüe por gravedad.

Cualquier bucle, doblez o curva peligrosa se debe eliminar antes de continuar. No crear una línea recta al desagüe puede provocar que el agua rechazada se fugue a través del espacio de aire en la llave de agua hacia la cubierta y debajo de la llave de agua.

1. Alinee la tubería roja de 3/8" de la llave de agua con la tuerca de compresión en la abrazadera de desagüe, vea la Figure 24. Cree un pasaje lo más recto posible con la tubería. Corte la tubería directamente debajo de la tuerca y retire las rebabas internas y externas.
2. Afloje la tuerca de compresión dos (2) vueltas enteras. Inserte la tubería dentro de la tuerca hasta que se detenga. Apriete con los dedos, luego apriete una (1) o dos (2) vueltas con una llave inglesa.

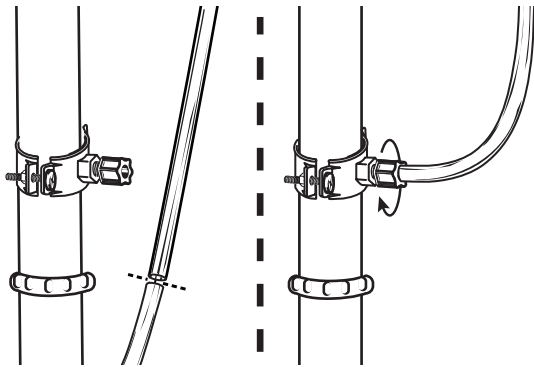


Figure 24

CÓMO INSTALAR LOS CARTUCHOS

Los cartuchos se identifican por el color de la etiqueta y el número de modelo.

Cartucho No. 1: Cartucho de filtro ROM-PRE Everpure

Cartucho No. 2: Cartucho de ósmosis inversa ROM-G75 Everpure

Cartucho No. 3: Cartucho de filtro ROM-PST Everpure

Instale los cartuchos en orden. Si los cartuchos no se instalan en orden, el sistema no filtrará correctamente.

Instale el cartucho ROM-G75

El cartucho de ósmosis inversa ROM-G75 se instala en la posición vertical. Hay tres (3) puertos de conexión rápida que están etiquetados.

- Entrada - Blanco
- Permeado (agua de producto) - Azul
- Drenaje - Rojo

Este cartucho se instala antes que los dos cartuchos externos. El conjunto del colector deberá estar ya montado firmemente.

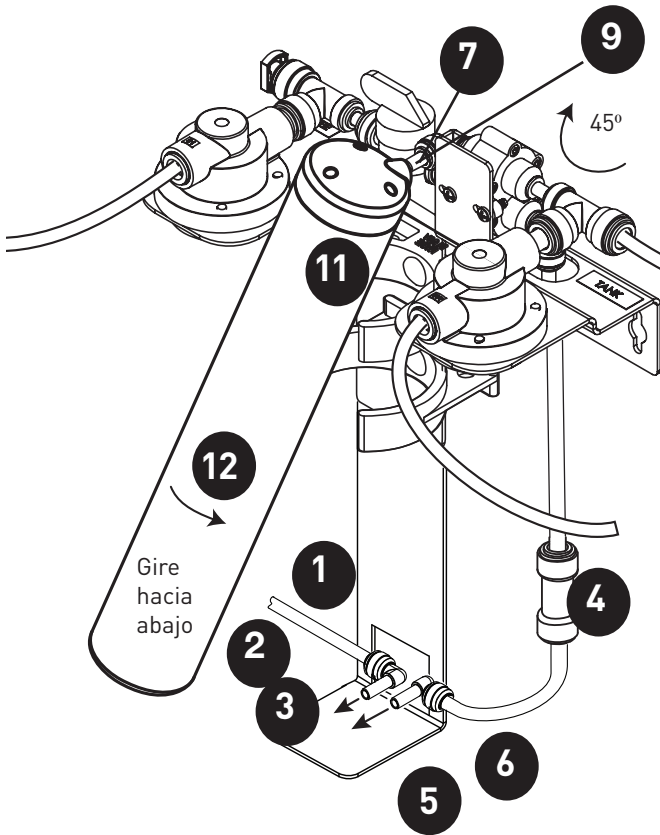


Figure 25

Los números en la Figure 25 se refieren a los pasos siguientes.

1. Ubique la tubería de desagüe roja con el codo preensamblado. El tubo ya se ensambló en la llave.

CAUTION: NO retire de la tubería roja el codo de conexión rápida. Este conjunto contiene un control de flujo que puede dañarse en caso de desmontarlo. La eficiencia del sistema de ósmosis inversa ROM IV puede resultar afectada.

2. Marque el tramo corto de tubería de desagüe roja a 5/8" (1.6 cm) del extremo.
3. Inserte el tubo en el puerto de desagüe rojo que está en la parte inferior del cartucho, Figure 26. Empuje hasta que la marca esté al ras con el acoplamiento de conexión rápida.
4. El tubo de agua de producto (azul) está preensamblado en el colector. Inspeccione la válvula de retención para asegurarse de que el flujo sea en la dirección hacia arriba.
5. Marque el tramo corto de tubería a 5/8" (1.6 cm) del extremo.
6. Inserte el tubo en el puerto de permeado azul que está en la parte inferior del cartucho ROM-G75, Figure 26. Empuje hasta que la marca esté al ras con el acoplamiento de conexión rápida.
7. Ubique la tubería que se instalará en el puerto de entrada del cartucho ROM-G75. La tubería se deberá instalar en el codo que viene de la válvula de cierre automático. La longitud de la tubería que es visible debe ser 1" (2.5 cm).
8. Mida 5/8" (1.6 cm) desde el extremo del tubo y ponga una marca.
9. Gire el codo de conexión rápida hacia arriba 45°.
10. Coloque el cartucho ROM-G75 de modo que el puerto de entrada esté ubicado frente a la tubería. El cartucho se inclinará en la parte inferior y los clips no lo sostendrán.
11. Empuje el cartucho sobre la tubería hasta que la marca de 5/8" (1.6 cm) esté al ras con el acoplamiento de conexión rápida.
12. Gire el cartucho hacia abajo. El codo debe moverse con el cartucho. El cartucho se encajará en los dos clips. La tubería y el codo deberán apuntar directamente al puerto de entrada.
13. Si la tubería no se coloca directamente en el puerto de entrada, el cartucho se deberá deslizar hacia arriba o hacia abajo según sea necesario.

NOTE: La parte inferior del cartucho ROM-G75 estará apoyada por el tramo inferior del soporte.

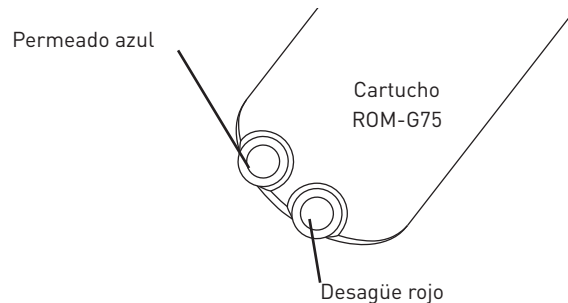


Figure 26

Instale el cartucho ROM-PRE

Ubique el cartucho ROM-PRE e inspeccione las juntas tóricas. Deberán estar limpias y ligeramente lubricadas con grasa de silicona.

1. Alinee las pestañas con las ranuras en la abertura del lado izquierdo del conjunto de la cabeza. Vea Figure 27.
2. Inserte el cartucho en toda su profundidad.
3. Gire el cartucho 90° a la derecha (en sentido horario) para fijarlo en su lugar.

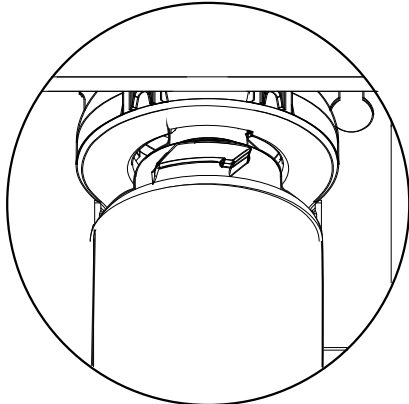


Figure 27

Instale el cartucho ROM-PST

Ubique el cartucho ROM-PST e inspeccione las juntas tóricas. Deberán estar limpias y ligeramente lubricadas con grasa de silicona.

1. Alinee las pestañas con las ranuras en la abertura del lado derecho del conjunto de la cabeza. Vea Figure 27.
2. Inserte el cartucho en toda su profundidad.
3. Gire el cartucho 90° a la derecha (en sentido horario) para fijarlo en su lugar.

Conexión del tanque de almacenamiento al sistema

CAUTION: Cuando el tanque está lleno, pesa aproximadamente 30 libras (13.6 kg). Coloque un soporte amplio debajo del tanque.

1. Enrosque la válvula del tanque sobre la abertura del tanque al girarla en sentido horario hasta que llegue al tope.
2. Encuentre el tramo de tubería azul (cortado anteriormente) y haga una marca a 3/4" (1.9 cm) del extremo. Humedezca un extremo de la tubería azul con agua e insértela con un movimiento giratorio dentro del puerto de la válvula del tanque hasta que la marca de 3/4" quede alineada con el acoplamiento de conexión rápida.
3. Marque el extremo restante a 3/4" (1.9 cm) del extremo. Moje el extremo e insértelo en la conexión abierta de la última cabeza (lado derecho) hasta que la marca de 3/4" esté al ras con el acoplamiento de conexión rápida.

NOTE: El tanque de almacenamiento presurizado tiene una capacidad de 3.2 galones (12.1 litros). La presión neumática del tanque se ajusta de 5 a 7 psi cuando el tanque está vacío.

CÓMO PONER EN FUNCIONAMIENTO EL SISTEMA

CAUTION: Asegúrese de que el conjunto de la cabeza esté conectado firmemente a la pared para prevenir que se caiga y posiblemente se dañe.

NOTE: El sistema de ósmosis inversa ROM IV no produce altos volúmenes de agua a pedido como lo hace un filtro común. El agua se produce a un ritmo lento, gota por gota. El sistema necesita alrededor de tres (3) horas para llenar el tanque de almacenamiento. A medida que se saca agua del tanque, el sistema comienza el ciclo automáticamente para reemplazar el agua y luego frena la producción de agua cuando el tanque está lleno.

Hay varios pasos que se deben seguir para poner correctamente en funcionamiento el sistema de ósmosis inversa ROM IV. Antes de abrir el suministro de agua, vea la Figure 28:

- Retire el tapón de conexión rápida en el extremo izquierdo del colector y conecte el puerto con la tubería a un desagüe.
- Mueva la válvula de cierre a la posición CERRADA.
- Mueva la válvula del tanque a la posición CERRADA.
- La palanca de la llave deberá estar cerrada.

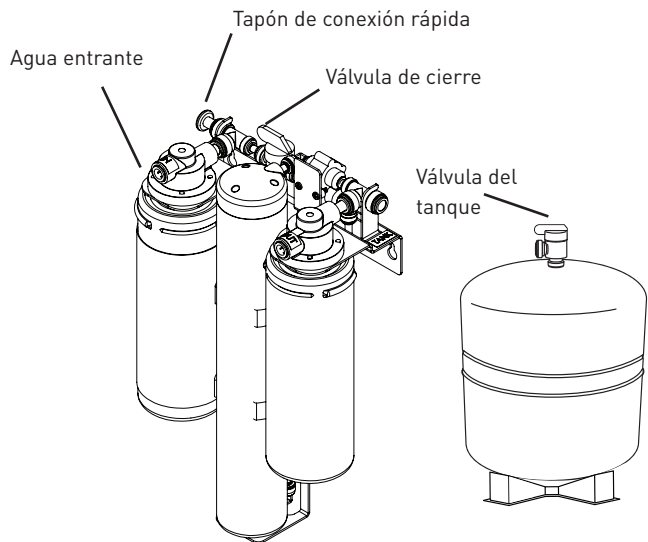


Figure 28

1. Para descargar el cartucho ROM-PRE a un drenaje, retire el tapón de conexión rápida que está en el extremo izquierdo del colector e inserte un tramo de tubería temporal en la conexión.

NOTE: La tubería y la válvula de bola se suministran.

Active el suministro de agua entrante. Descargue el cartucho ROM-PRE a un desagüe durante cinco (5) minutos a flujo pleno para retirar los finos de carbón.

CAUTION: Si no se descarga el cartucho ROM-PRE se dañará el cartucho de membrana de ósmosis inversa ROM-G75. Esta condición invalidará la garantía.

2. Después de cinco (5) minutos, cierra la válvula de agua entrante. Retire la tubería temporal y vuelva a insertar el tapón de conexión rápida.
3. Asegúrese de que la válvula del tanque esté en la posición abierta.
4. Abra la válvula de cierre.
5. Active lentamente el suministro de agua entrante.

6. Abra la llave para encender el flujo. Deje correr o gotear el agua de la llave durante 12 horas y luego ciérrela.
7. Deje pasar tres (3) horas para que el tanque se llene. Siga revisando la instalación periódicamente para encontrar fugas. Una vez que el tanque de almacenamiento está lleno, abra la llave de agua para dejar correr el agua a través del cartucho posfiltro (en el lado derecho del conjunto de la carcasa de filtro). Espere de cuatro (4) a cinco (5) minutos para que el tanque se vacíe completamente. Cierre la llave de agua y deje que se llene el tanque.
8. Repita el paso 7 tres (3) veces.

CAUTION: Revise visualmente todo el sistema para encontrar fugas. Si existen fugas, consulte la sección Solución de problemas.

NOTE: En un primer momento, el agua puede parecer turbia. Esto es debido al aire atrapado en el cartucho del posfiltro. No es dañino y desaparecerá en cuestión de minutos. Puede tomar hasta una semana luego de instalar un nuevo cartucho de posfiltro para que el aire atrapado se disipe.

El sistema está listo para funcionar. Ahora puede disfrutar agua de calidad del sistema de ósmosis inversa ROM IV.

PRUEBA DEL SISTEMA DE ÓSMOSIS INVERSA

Prueba de sólidos disueltos totales (TDS)

NOTE: Según la Norma NSF/ANSI 58, se recomienda encarecidamente que se analice el agua de producto cada seis (6) meses para verificar que el sistema esté funcionando satisfactoriamente.

CUÁNDO CAMBIAR LOS CARTUCHOS

La vida útil del cartucho depende del volumen de agua usado y las sustancias que estén presentes en el agua. Por lo general, los cartuchos deberían cambiarse cada 12 meses. Reemplace el cartucho antes si la presión del agua en la llave de agua comienza a caer en forma evidente o si detecta cambios de sabor, color o flujo del agua filtrada.

CÓMO CAMBIAR LOS CARTUCHOS

Cartuchos de repuesto:

Cartucho de filtro ROM-PRE Everpure - EV929675

Cartucho de filtro ROM-PST Everpure - EV929676

Cartucho de ósmosis inversa ROM-G75 Everpure - EV929775

Se deben cambiar los cartuchos de prefiltro y posfiltro cuando la presión del agua en la llave comienza a caer en forma evidente o si detecta cambios de sabor, color o flujo del agua filtrada. Todos los cartuchos se deberán cambiar al mismo tiempo. Los cartuchos están codificados por color para indicar en cuál ubicación se instalan.

NOTE: Solo los cartuchos de repuesto mencionados se pueden usar con este sistema. Si no se usan los cartuchos de repuesto recomendados se invalidará la garantía.

1. Ponga una bandeja pequeña o una toalla bajo el sistema de ósmosis inversa ROM IV para atrapar el agua que pueda gotear. Corte el agua entrante.
2. Retire los dos (2) cartuchos externos; para hacerlo, gire cada cartucho 1/4 de vuelta a la izquierda (en sentido antihorario). Luego jale para liberar.
3. Retire el cartucho ROM-G75 central columpiándolo hacia arriba y hacia afuera, pivotando en la conexión superior. Una vez que el cartucho salga de los clips, la conexión rápida de la parte superior se puede desconectar. Desconecte ambos tubos de la conexión rápida que están en la parte inferior.
4. Conecte los tubos rojo y azul que están en la parte inferior del cartucho ROM-G75 nuevo.
5. Coloque el cartucho ROM-G75 nuevo de modo que el puerto de entrada esté ubicado frente a la tubería en la parte superior del cartucho. Empuje el cartucho sobre la tubería hasta que que llegue a toda su profundidad. Columpie el cartucho hacia abajo (el codo debe columpiarse con él) al interior de los clips. Ajuste el cartucho hacia arriba o hacia abajo de modo que la tubería y el codo apunten directamente al cartucho.

NOTE: La parte inferior del cartucho ROM-G75 estará apoyada por el tramo inferior del soporte.

6. Ubique el cartucho ROM-PRE bajo la cabeza del lado izquierdo. Alinee las pestañas del cartucho con las ranuras de la cabeza.
7. Empuje el nuevo cartucho al interior de la cabeza hasta que no pueda avanzar más.
8. Gire el cartucho 1/4 de vuelta a la derecha (sentido horario) hasta que se fije en su lugar. Jale suavemente hacia abajo para asegurar que el cartucho esté fijo en su lugar.
9. Repita los pasos 6, 7 y 8 para el cartucho ROM-PST.

CAUTION: El cartucho ROM-PRE puede contener finos de carbón que se eliminarán durante la descarga inicial. Siga el procedimiento de enjuague adecuado para evitar daños al cartucho de ósmosis inversa ROM-G75.

ENJUAGUE INICIAL DE LOS CARTUCHOS

La instalación de cartuchos nuevos exige que se lleve a cabo un enjuague preliminar de los cartuchos. Este enjuague inicial se necesita para evitar el daño al cartucho de ósmosis inversa.

Consulte la página 40, Cómo poner en funcionamiento el sistema, para conocer el procedimiento de enjuague completo.

PROCEDIMIENTO DE SANITIZACIÓN - ALERTAS DE SUMINISTRO DE AGUA CONTAMINADA O HERVIR AGUA

Cuando se ha contaminado el sistema de agua o se ha interrumpido una alerta de hervir agua, el sistema de ósmosis inversa ROM IV se debe sanitizar. **Si se acaba de interrumpir una alerta de hervir agua:** Deje correr el agua por las líneas de agua de acuerdo con las instrucciones del proveedor de agua. Abra la llave de paso y deje correr el agua por el sistema durante unos 10 minutos, luego siga las instrucciones de reemplazo de cartucho de filtro que se encuentran a continuación.

1. Desconecte el suministro de agua y abra la llave para desfogar la presión.
2. Desenrosque los cartuchos de filtro y deséchelos. Lávese las manos con jabón y agua tibia.

NOTE: Si utiliza una cubeta de goteo, lave con detergente para platos y agua tibia.

NOTE: Los siguientes pasos requieren del uso de blanqueador en el sistema de ósmosis inversa ROM IV. Pentair Everpure ofrece un cartucho hueco, el cartucho de enjuague/sanitización Everpure 2JT (EV9608-10), que está diseñado para esta aplicación. Los siguientes pasos describen cómo utilizar el cartucho Pentair Everpure 2JT (EV9608-10).

Procedimiento de sanitización con el cartucho Pentair Everpure 2JT (EV9608-10)

3. Tome la punta de la torre de la toma de agua corriente (en el centro de la parte superior del cartucho) y luego jale suavemente. El tapón central con la manguera larga conectada se desprenderá, y dejará un agujero.

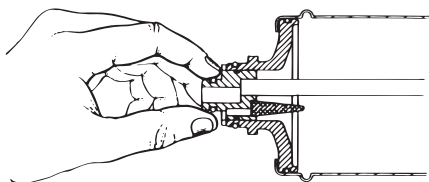


Figure 29

4. Añada una cucharadita de blanqueador (solución de hipoclorito de sodio al 5,25%) al cartucho de descarga vacío a través del agujero en la parte superior.
5. Lubrique la junta tórica con lubricante de silicona de alta calidad. Vuelva a colocar el conjunto del tapón central e inserte el cartucho de enjuague en la primera cabeza instalada (lado izquierdo).

NOTE: No utilice vaselina para lubricar las juntas tóricas. La vaselina las degradará.

CAUTION: NO instale el cartucho de membrana de ósmosis inversa ROM-G75 para el procedimiento de sanitización. La solución dañará gravemente la membrana.

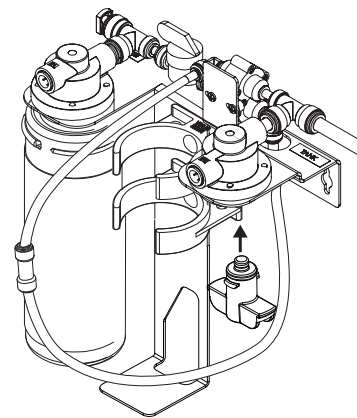


Figure 30

6. Instale un tapón para puerto en la última cabeza (lado derecho).
7. Cuando se desmonte el cartucho de ósmosis inversa, la tubería azul de la parte inferior del cartucho se puede usar para el procedimiento de sanitización. Retire el codo de conexión rápida en la tubería azul y retire el tubo corto que está en la parte superior del codo de conexión rápida.
8. Conecte el extremo inferior de la tubería azul al codo de conexión rápida que normalmente está conectado al puerto de entrada del cartucho de ósmosis inversa.
9. La válvula del tanque y la válvula de cierre del colector deberán estar abiertas. La llave deberá estar CERRADA.
10. Abra lentamente la válvula de suministro de agua. Abra la llave y vigile el agua que sale del sistema de ósmosis inversa ROM IV. Cuando sienta el olor a cloro, cierre la llave. El tanque de almacenamiento se llenará con agua clorada.
11. Espere al menos 30 minutos para permitir el suficiente tiempo de desinfección.
12. Cierre la válvula de agua entrante.
13. Abra la llave. El tanque de almacenamiento se drenará.
14. Cuando el tanque de almacenamiento esté vacío, cierre la llave y retire el cartucho 2JT.
15. Instale un nuevo cartucho ROM-PRE en la primera cabeza (lado izquierdo).
16. Abra la llave y abra lentamente la válvula de agua entrante. Permita que el agua fluya durante cinco (5) minutos. Esto arrastrará los finos de carbón del nuevo cartucho.
17. Cierre la llave para permitir que el tanque se llene de tres (3) a cinco (5) minutos.
18. Cierre la válvula de agua entrante.
19. Abra la llave para dejar que el tanque se vacíe.
20. Cuando el flujo de agua se haya detenido, cierre la llave y abra la válvula de agua entrante para volver a llenar el tanque de tres (3) a cinco (5) minutos.
21. Repita los pasos 17, 18 y 19 cuatro (4) veces.
22. Desconecte la válvula de agua entrante y cierre la llave para reducir la presión.
23. Instale el cartucho ROM-PST nuevo en la última cabeza (lado derecho).

24. Abra la llave y la válvula de agua entrante. Deje que el agua fluya durante cinco (5) minutos para lavar el cartucho ROM-PST. Luego cierre la válvula de agua entrante.
 25. Instale un cartucho de ósmosis inversa ROM-G75 nuevo.
 26. Abra la válvula de agua entrante. Deje que la llave gotee 12 horas para lavar el cartucho de ósmosis inversa.
 27. Cierre la llave. El tanque de almacenamiento se llenará.
- El sistema de ósmosis inversa ROM IV está listo para funcionar.

SOLUCIÓN DE PROBLEMAS

NOTE: Si las fugas persisten, o si hay otras fugas en el sistema, corte el suministro de agua y llame a Asistencia Técnica al 800.279.9404.

Fugas entre el cartucho y la carcasa de filtro

1. Cierre el suministro de agua fría al sistema. Cierre la válvula del tanque. Abra la llave de agua potable para aliviar la presión del agua.
2. Retire el cartucho e inspecciónelo para ver si hay daños. Inspeccione las juntas tóricas para asegurarse de que estén asentadas y limpias.
3. Inserte y gire el cartucho en la carcasa de filtro.
4. Abra el suministro de agua. Abra la válvula del tanque. Cierre la llave de agua potable después de que el agua comience a fluir. Si las fugas continúan, llame a Asistencia Técnica.

Fuga entre la válvula del tanque y el tanque de almacenamiento

1. Cierre el suministro de agua al sistema. Abra la llave para vaciar el tanque de almacenamiento. Deje la llave abierta durante tres (3) a cinco (5) minutos hasta que gotee.
2. Retire la tubería azul de la válvula del tanque presionando el anillo alrededor del acoplamiento mientras tira de la tubería con la otra mano.
3. Desenrosque la válvula del tanque del tanque de almacenamiento.
4. Inspeccione el sello de caucho dentro del área roscada. Repare o reemplace la válvula según sea necesario.
5. Enrosque la válvula del tanque sobre la parte superior de la abertura del tanque al girarla en sentido horario hasta que llegue al tope.
6. Corte 1" (2.5 cm) de tubería. Se debe cortar la tubería directamente. Se deben quitar las rebabas internas y externas. Ponga una marca en la tubería a 3/4" (1.9 cm) del extremo de la tubería.
7. Moje la tubería e insértela hasta que la marca esté al ras con el acoplamiento de conexión rápida.
8. Abra el suministro de agua y cierre la llave de agua potable.
9. Permita que el sistema se presurice durante varias horas y verifique si hay fugas.
10. Revise si hay fugas después de que el tanque esté completamente presurizado [una (1) a tres (3) horas]. Si la fuga continúa, llame a Asistencia Técnica.

Fugas en los acoplamientos de conexión rápida

CAUTION: La tubería roja de 1/4" conectada a la conexión de desagüe inferior tiene instalado un limitador de flujo. El sistema no funcionará correctamente si se retira el limitador.

1. Cierre la válvula del tanque, corte el suministro de agua fría al sistema y abra la llave de agua potable.
2. Oprima el anillo alrededor del acoplamiento de conexión rápida mientras jala la tubería con la otra mano.
3. Corte 1" (2.5 cm) de tubería. Se debe cortar la tubería directamente. Se deben quitar las rebabas internas y externas. Ponga una marca en la tubería a 5/8" (1.6 cm) del extremo en la tubería de 1/4" o 3/4" (1.0 cm) del extremo en la tubería de 3/8".
4. Moje el extremo e inserte la tubería hasta que la marca esté al ras con el acoplamiento de conexión rápida.
5. Abra el suministro de agua fría hasta que se detenga. Abra la válvula del tanque y cierre la llave de agua potable. Si las fugas continúan, llame a Asistencia Técnica.

Fugas de la llave

1. Revise para asegurarse de que la tubería roja que va de la llave de agua potable al desagüe esté tan recta como sea posible (normalmente es necesario cortar esta línea durante la instalación). Los estrangulamientos o combaduras en esta línea de desagüe impedirán el flujo de agua al desagüe.
2. Revise para asegurarse de que la abrazadera de desagüe y el orificio de desagüe estén correctamente alineados, consulte la Figure 23).
3. Revise para asegurarse de que no haya materia extraña que obstruya la línea de desagüe ni en el orificio de la abrazadera de desagüe. Si las fugas continúan, llame a Asistencia Técnica.

No hay flujo o hay poco flujo desde la línea de salmuera (de rechazo) (menos de 6 onzas o 180 ml por minuto)

NOTE: Antes de revisar el flujo de agua de salmuera (o de rechazo), asegúrese de que la unidad produce agua al cerrar la válvula del tanque de almacenamiento y abrir la llave de agua potable. Debería gotear agua desde la llave de agua.

1. Reemplace el cartucho de prefiltro según las Instrucciones para cambiar el cartucho de la página 41 y vuelva a comprobar el caudal de salmuera (o flujo de rechazo).
2. Si el cartucho de prefiltro no presenta problemas, el controlador de flujo de salmuera (o de rechazo) podría estar obstruido. Llame a Asistencia Técnica.

Agua de producto con nivel alto de TDS

1. Si se detectan TDS (sólidos disueltos totales) elevados en el agua de producto, es posible que se tenga que reemplazar el cartucho de ósmosis inversa o que el tubo de control de flujo de rechazo pueda estar obstruido. Si esta es una instalación nueva, llame a Asistencia Técnica.
2. De lo contrario, extraiga 1 galón (3.8 litros) de agua de la unidad. Después de 10 minutos, haga correr agua desde la llave y pruebe el agua otra vez.
3. Investigue cuándo cambió por última vez el cartucho de ósmosis inversa y llame a Asistencia Técnica.

Flujo limitado en llave de agua potable

1. Cierre el suministro de agua al sistema.
2. Abra la llave para encender el flujo.
3. Desatornille la tapa negra en la base del tanque de almacenamiento para exponer la válvula de aire. Use un compresor neumático pequeño o una bomba de bicicleta para agregar aire al tanque de almacenamiento. Esto obligará al agua a salir del tanque de almacenamiento a través de la llave. Siga agregando aire hasta que ya no salga agua de la llave.
4. Cierre la llave de agua potable.
5. Usando un manómetro, ajuste la presión en el tanque de almacenamiento a un valor de 5 a 7 psi (0.34 to 0.48 bar).
6. Reemplace la tapa negra.
7. Abra la válvula de agua entrante hasta que se detenga. Deje que el sistema funcione de una (1) a tres (3) horas para llenar el tanque. Un tanque lleno pesa aproximadamente 29.4 libras (10.2 kg). Si el rendimiento no ha mejorado, llame a Asistencia Técnica.

Retorno repentino del gusto y el olor

Si poco tiempo después de un mantenimiento completo retornan los gustos u olores, comuníquese con Asistencia Técnica.

Si está experimentando un problema que no se menciona en este manual, corte el suministro de agua y cierre la válvula del tanque. Llame a Asistencia Técnica.

INFORMACIÓN DE RENDIMIENTO

IMPORTANTE:

Lea estos datos sobre rendimiento y compare las capacidades de este sistema con sus necesidades de tratamiento de agua.

Se recomienda que antes de instalar un sistema de tratamiento de agua, haga analizar su suministro de agua para determinar sus necesidades de tratamiento del agua.

Este sistema ha sido analizado de acuerdo con la Norma NSF/ANSI 58 para la reducción de las sustancias enumeradas a continuación. La concentración de las sustancias indicadas en el agua que entra al sistema se redujeron a una concentración menor o igual a los límites permitidos para el agua que sale del sistema, como lo especifica la Norma NSF/ANSI 58.

NOTAS

Verifique el cumplimiento con las leyes y normas estatales y locales aplicables.

No se debe utilizar con agua microbiológicamente insegura o de calidad desconocida sin la desinfección adecuada previa o posterior al paso por el sistema.

Si el sistema es instalado en Massachusetts, se debe cumplir con el Código de plomería 248 CMR de la Mancomunidad de Massachusetts. Consulte a un plomero matriculado para la instalación del sistema. Este sistema y su instalación deben cumplir con las normas estatales y locales.

Los sistemas certificados para la reducción de quistes pueden usarse en aguas desinfectadas que pudieran contener quistes filtrables.

Las sustancias que se pueden reducir no se encuentran necesariamente en su agua. Se debe mantener el filtro según las instrucciones del fabricante, incluyendo el reemplazo de los cartuchos de filtro.

El valor de eficacia probada de este sistema es 18.11%. El valor de eficacia es el porcentaje de agua prefiltrada en el sistema que está disponible para el usuario como agua tratada por ósmosis inversa bajo condiciones operativas que se aproximan al uso diario típico.

El valor de recuperación probada es 40.17%. El valor de recuperación es el porcentaje del agua prefiltrada en la parte de la membrana del sistema que está disponible para el usuario como agua tratada por ósmosis inversa cuando el sistema funciona sin un tanque de almacenamiento o cuando el tanque de almacenamiento está derivado.

Tasa de producción diaria: 14.66 gpd

Este sistema se probó para el tratamiento de agua que contenía arsénico pentavalente [también conocido como As(V), As(+5) o arsenato] en concentraciones de 0.30 ± 10 mg/L o menos. El sistema reduce el arsénico pentavalente, pero es posible que no elimine otras formas de arsénico. Este sistema se debe usar en suministros de agua que contengan cloro libre residual detectable o en suministros de agua que se haya demostrado contengan solo arsénico pentavalente. El tratamiento con cloramina (cloro combinado) no es suficiente para garantizar una conversión completa de arsénico trivalente en arsénico pentavalente. Si necesita más información, vea la sección Datos de arsénico de la Hoja de información sobre rendimiento.

ADVERTENCIA RELACIONADA CON LA PROPUESTA 65 DE CALIFORNIA

WARNING: ⚠ ADVERTENCIA: Este producto contiene productos químicos de los cuales el estado de California sabe causan cáncer o anomalías congénitas u otros daños reproductivos.

Sustancia	Concentración de contaminantes en el agua prefiltrada	Concentración máxima permitida de agua de producto	Necesidad de reducción	Reducción promedio
Norma 58				
Arsénico V	0.30 mg/L ± 10%	0.010 mg/L		97.6%
Bario	10.0 mg/L ± 10%	0.010 mg/L		96.6%
Cadmio	0.03 mg/L ± 10%	0.005 mg/L		98.7%
Cromo III	0.3 mg/L ± 10%	0.1 mg/L		98.5%
Cromo VI	0.3 mg/L ± 10%	0.1 mg/L		96.4%
Cobre	3.0 mg/L ± 10%	1.3 mg/L		99.3%
Quistes*	50,000/mL mínimo		99.95%	99.99%
Fluoruro	8.0 mg/L ± 10%	1.5 mg/L		94.5%
Plomo	0.15 mg/L ± 10%	0.01 mg/L		99%
Radio 226/228	25 pCi/L ± 10%	5 pCi/L		80%
Selenio	0.10 mg/L ± 10%	0.05 mg/L		97.3%
Sólidos disueltos totales	750 mg/L ± 40 mg/L	187 mg/L		95.2%
Turbidez	11 NTU ± 1 NTU	0.5 NTU		99.1%

Tasa de producción diaria: 14.66 gpd

Hoja de datos de arsénico

El arsénico (símbolo As) se encuentra de forma natural en algunas aguas de pozo. El arsénico en el agua no tiene color, gusto ni olor. Se debe medir con una prueba de laboratorio. Los servicios públicos de agua deben encargar pruebas de arsénico en su agua. Puede obtener los resultados de su servicio de suministro de agua. Si tiene su propio pozo, puede encargar una prueba del agua. El departamento de salud local o el organismo de salud ambiental del estado pueden suministrarle una lista de laboratorios certificados. Hay dos formas de arsénico: arsénico pentavalente [también llamado As(V), As(+5), y arsenato] y arsénico trivalente [también llamado As(III), As(+3) y arsenito]. En agua de pozo, el arsénico puede ser pentavalente, trivalente o una combinación. Se necesitan procedimientos de muestreo especial para que un laboratorio determine qué tipo de arsénico y cuánto de cada tipo hay en el agua. Investigue con los laboratorios de su zona para ver si pueden ofrecer este tipo de servicio. Los sistemas de tratamiento de agua por ósmosis inversa (RO) no eliminan muy bien el arsénico trivalente del agua. Los sistemas de ósmosis inversa son muy eficaces para eliminar el arsénico pentavalente. Un residuo de cloro libre residual convertirá rápidamente el arsénico trivalente en arsénico pentavalente. Otros productos químicos de tratamiento de agua como ozono y permanganato de potasio también cambiarán el arsénico trivalente en arsénico pentavalente. Un residuo de cloro combinado (también llamado cloramina) probablemente no convierta todo el arsénico trivalente. Si usted recibe el agua de un servicio de agua público, comuníquese con el servicio para saber si se usa cloro libre o cloro combinado en el sistema de agua. El sistema está diseñado para eliminar el arsénico pentavalente. No convertirá el arsénico trivalente en arsénico pentavalente. El sistema se probó en un laboratorio. En estas condiciones, el sistema redujo 0.30 mg/L (ppm) de arsénico pentavalente a 0.010 mg/L (ppm) (la norma de la USEPA para agua potable) o menos. El desempeño del sistema puede ser diferente en su instalación. Encargue que se haga una prueba del agua tratada para buscar arsénico para verificar si el sistema está funcionando correctamente. El componente de ósmosis inversa del sistema se debe reemplazar cada 12 a 24 meses para asegurar que el sistema siga eliminando el arsénico pentavalente. La identificación del componente y las ubicaciones en donde puede adquirir el componente se indican en el manual de instalación y operación.



El sistema fue probado y certificado por NSF International bajo la Norma 58 de NSF/ANSI y B483.1 de CSA en cuanto a la reducción de las afirmaciones especificadas en la Hoja de información sobre rendimiento.

* Norma NSF / ANSI 58 certificada para reducir quistes como *Cryptosporidium* y *Giardia* por medios mecánicos. EPA Est. No. 002623-IL-002

EVERPURE SYSTÈME D'OSMOSE INVERSE (OI) ROM IV



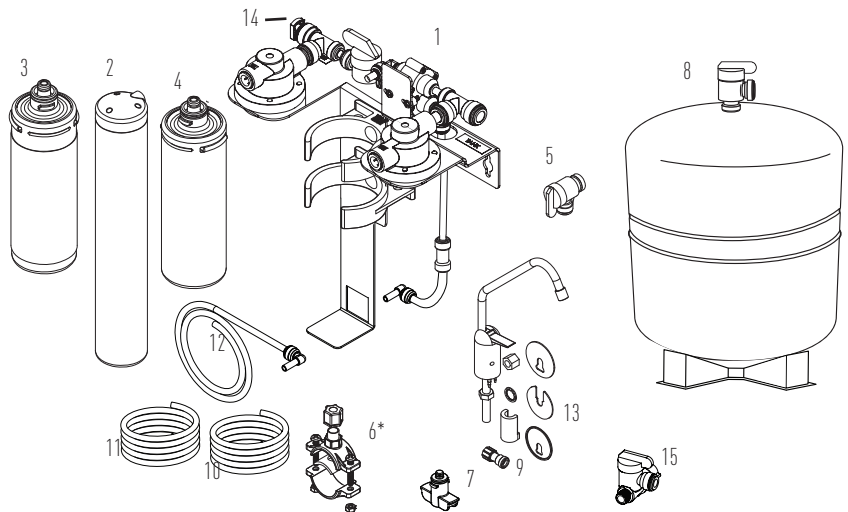
INTRODUCTION

La membrane du système d'osmose inverse (OI) ROM IV est conçue pour offrir une durée de vie de deux (2) ans. Ce système est homologué par NSF pour sa capacité de réduire la présence de divers contaminants.

INSPECTION

Avant de monter le système ROM IV, inspectez les pièces. Utilisez le tableau et l'illustration fournis pour vérifier les pièces et les quantités. Si certaines pièces sont manquantes, communiquez avec le service à la clientèle en composant le 800 279 9404 ou en écrivant à l'adresse tech-support@pentair.com.

Pièces	Numéro de pièce
1. Tête	Commande spéciale
2. Membrane OI ROM-G75	EV929675
3. Cartouche de préfiltration ROM-PRE	EV929676*
4. Cartouche de post-filtration ROM-PST	EV929775*
5. Vanne de réservoir	EV311655
6. Vanne d'évacuation à étrier	EV311754
7. Bouchon	EV310876
8. Réservoir de stockage	EV314698
9. Adaptateur pour robinet	EV312938
10. Tuyau en plastique de 3/8 po (blanc)	EV312843
11. Tuyau en plastique de 3/8 po (bleu)	EV544600
12. Tuyau en plastique de 1/4 po (rouge)	EV305061
13. Robinet d'eau potable sans plomb avec coupure antiretour	SH244820
14. Bouchon, 3/8 po, rapide	EV314487
15. Adaptateur d'arrivée d'eau	4004337
*Cartouches de préfiltration et de post-filtration vendues ensemble; numéro de pièce EV929670	



PIÈCES DE RECHANGE

Communiquez avec votre détaillant Pentair Everpure pour obtenir des cartouches filtrantes ou des pièces de rechange pour le système.

Outils requis

- Perceuse à main ou électrique
- Clés ajustables (2)
- Lime
- Crayon
- Couteau tout usage ou coupe-tube (pour tuyaux en plastique)
- Tournevis cruciforme
- Serviette
- Lunettes de sécurité
- Ruban à mesurer
- Mèches : 1/4 po et 3/8 po

Matériel facultatif

(pour les évier qui ne comportent pas d'orifice supplémentaire pour le robinet)

- Perceuse à main ou électrique
- Ruban pour tuyaux
- Mèches : 1/4 po et 3/8 po
- Pointeau
- Respirateur
- Scie-cloche de 1 3/8 po, bimétal ou au carbure

NOTE: Il se peut que tous les outils ne soient pas nécessaires à l'installation. Lisez les procédures d'installation avant de commencer afin de déterminer les outils dont vous aurez besoin.

CHOIX D'UN EMPLACEMENT DE MONTAGE

1. Tenez compte du poids de l'appareil lorsque celui-ci est en marche, c'est-à-dire lorsqu'il est rempli d'eau. Le poids du système OI ROM IV en marche est de :
 - Système sans réservoir de stockage – 10,2 lb (4,6 kg)
 - Réservoir de stockage – 29,4 lb (13,3 kg)
2. L'emplacement doit :
 - Prévoir un dégagement d'au moins 2 1/2 pouces (6,3 cm) sous la ou les cartouches afin qu'on puisse les abaisser pour les enlever et les remplacer.
 - Prévoir un espace suffisant pour le raccordement des tuyaux d'entrée et de sortie d'eau.
 - Se trouver à proximité d'un tuyau de vidange pour le rinçage.

DIMENSIONS

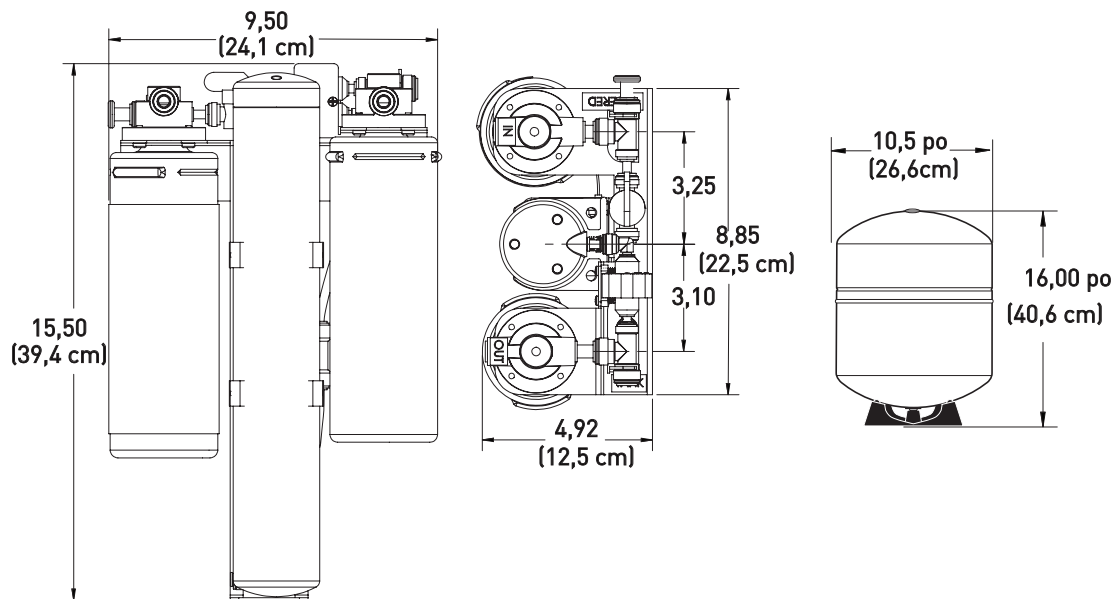


Figure 31

CARACTÉRISTIQUES DE FONCTIONNEMENT

WARNING: Avant d'installer le système, assurez-vous que votre alimentation en eau est conforme aux spécifications techniques suivantes. Une alimentation en eau non conforme pourrait réduire l'efficacité du système et avoir pour effet d'annuler votre garantie. Consultez votre service local de traitement des eaux ou un laboratoire d'analyse agréé pour déterminer la qualité de votre eau.

Température :	de 32 à 120 °F (de 0 à 49 °C)
Pression :	de 40 à 100 lb/po ² (de 2,7 à 6,89 bar), sans chocs
Matières dissoutes totales :	1000 ppm max.
Dureté maximale :	143 ppm
Sulfures, fer et manganèse :	moins de 0,1 ppm
Teneur en chlore de l'alimentation en eau :	chlore libre - 0,1 ppm max.
Plage de pH acceptable de l'alimentation en eau :	de 4 à 11
Turbidité :	1,0 uTN max.

Système traitant uniquement l'eau froide.

MESURES DE PRÉCAUTION GÉNÉRALES

WARNING: N'utilisez pas le système avec de l'eau insalubre microbiologiquement ou de qualité inconnue sans désinfection adéquate en amont ou en aval du système. Les systèmes homologués pour réduction des kystes peuvent être utilisés avec de l'eau désinfectée pouvant contenir des kystes filtrables.

WARNING: Le système OI ROM IV renferme des composants remplaçables qui sont essentiels à son efficacité. Afin d'obtenir la même efficacité et la même capacité de réduction des contaminants, il faut remplacer les composants d'origine par des pièces qui ont les mêmes caractéristiques, telles que définies par le fabricant.

WARNING: Le système OI ROM IV comporte une cartouche à membrane remplaçable, essentielle à la réduction efficace des matières dissoutes totales. Il faut analyser périodiquement l'eau filtrée afin de s'assurer que le système fonctionne correctement.

WARNING: Le système OI ROM IV ne devrait être utilisé que pour réduire la teneur en arsenic de l'eau d'alimentation chlorée contenant des résidus détectables de chlore libre à l'entrée du système. Dans les systèmes de filtration qui utilisent un dispositif de chloration, l'eau devrait demeurer en contact avec le chlore pendant une minute avant d'être filtrée par l'appareil.

WARNING: Le système OI ROM IV n'offre pas de protection contre les bactéries pathogènes et n'élimine pas non plus les bactéries d'origine naturelle inoffensives.

CAUTION: Le système OI ROM IV doit être protégé contre le gel, qui risque de craqueler le boîtier de filtre et de provoquer une fuite.

CAUTION: Coupez l'alimentation en eau vers la tête dépourvue de cartouche si le système doit demeurer sans surveillance pendant une période prolongée.

CAUTION: N'utilisez pas de ruban chauffant sur cet appareil.

NOTE: Les substances pouvant être réduites ne sont pas forcément présentes dans votre eau. Le système doit être entretenu conformément aux directives du fabricant, y compris le remplacement des cartouches filtrantes.

NOTE: Pour que le système fonctionne correctement, votre eau doit se situer dans les limites prescrites. Sinon, la vie utile de la cartouche à membrane OI peut être réduite, et votre garantie sera annulée (voir la section Caractéristiques de fonctionnement).

NOTE: Le système doit être installé uniquement sur l'arrivée d'eau froide.

NOTE: N'installez pas le système à un endroit où il sera exposé aux rayons directs du soleil.

NOTE: Assurez-vous que l'installation est conforme aux lois et aux règlements d'État et municipaux.

NOTE: Les cartouches filtrantes et la cartouche à membrane OI fournies avec ce système ont une durée de vie limitée. Un changement dans le goût, l'odeur et la couleur de l'eau filtrée indique que les cartouches ou la membrane doivent être remplacées.

NOTE: Avant une période prolongée d'inutilisation (par exemple, des vacances), retirez la cartouche à membrane et les cartouches filtrantes de l'appareil et placez-les dans un sac en plastique scellé. Placez les cartouches dans le réfrigérateur en vue d'une utilisation ultérieure. Au moment de remettre l'appareil en marche, remplacez toutes les cartouches et effectuez un rinçage, conformément aux directives.

NOTE: Si le système OI ROM IV demeure inutilisé pendant plus de deux (2) ou trois (3) jours, il faut vider le réservoir de stockage.

NOTE: Utilisez uniquement du ruban de plombier sans support adhésif pour sceller les joints. N'utilisez pas de composé pour tuyaux (pâte lubrifiante), de composés pour filetage en bâton ou de composés semblables sur cet appareil; ils renferment des dérivés du pétrole qui peuvent causer le fendillement et la fissuration du plastique du boîtier de filtre.

NOTE: Utilisez uniquement de l'eau et du savon pour nettoyer les composants.

NOTE: N'utilisez pas d'aérosols (insectifuges, produits de nettoyage, etc.) à proximité du système OI ROM IV. Ils contiennent des solvants organiques qui peuvent causer le fendillement et la fissuration du plastique du boîtier de filtre.

NOTE: Après une période prolongée d'inutilisation (comme après des vacances), il est recommandé d'effectuer un bon rinçage du système. Laissez l'eau s'écouler pendant deux (2) à trois (3) minutes avant utilisation.

NOTE: N'utilisez pas de chalumeau à proximité de l'appareil.

INSTALLATION

- Veuillez lire toutes les directives et prendre toutes les précautions nécessaires avant d'installer et d'utiliser votre système de filtration ROM IV.
- Pour une installation standard sous évier sur une conduite d'eau froide en acier, en laiton ou en cuivre de 3/8 po (9,52 mm).
- Lorsque vous choisissez l'emplacement de montage du système et du réservoir, tenez compte de la longueur de tuyau nécessaire au raccordement des composants du système à la tuyauterie existante. Certains emplacements peuvent nécessiter des tronçons de tuyau plus longs que ceux qui sont fournis dans la trousse.
- Les schémas numérotés correspondent aux étapes à suivre.

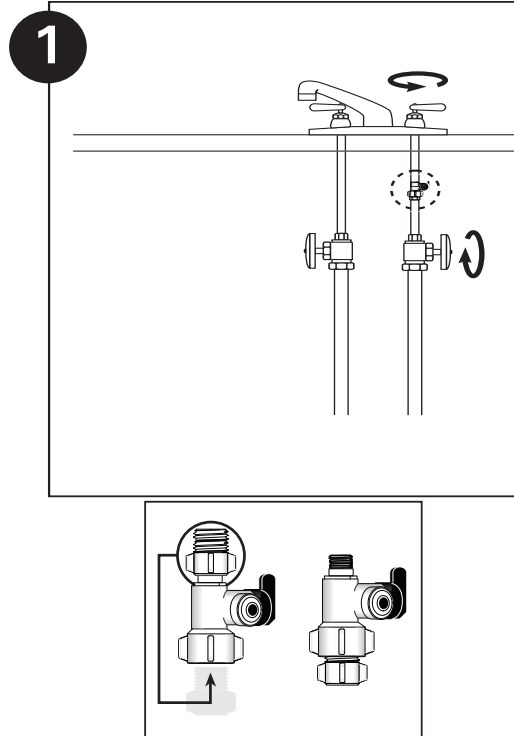
INSTALLATION DE L'ADAPTATEUR D'ARRIVÉE D'EAU

L'adaptateur d'arrivée d'eau s'installe sur des conduites de 1/2 po – 14 NPS ou des raccords à compression de 3/8 po x 3/8 po. Si les codes locaux le permettent, il peut être utilisé pour raccorder le système à la conduite d'alimentation en eau froide. Si les codes locaux ne permettent pas l'utilisation de l'adaptateur d'arrivée d'eau, vous pouvez vous procurer d'autres raccords auprès de votre fournisseur local.

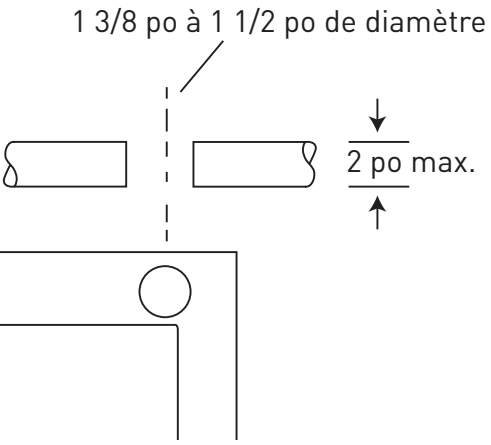
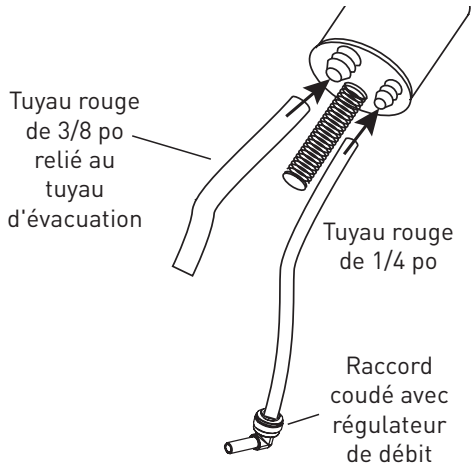
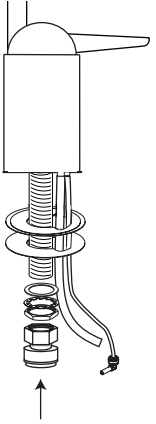
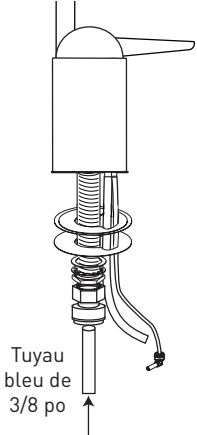
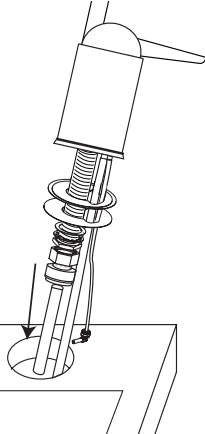
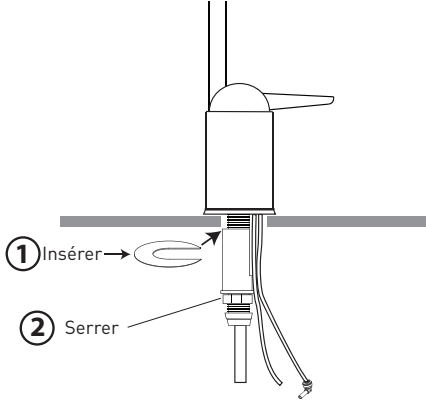
INSTRUCTIONS :

- Coupez l'alimentation en eau froide. S'il n'y a pas sous l'évier de robinet permettant de couper l'alimentation en eau froide, vous devriez en installer un.
- Ouvrez le robinet d'eau froide et laissez l'eau s'écouler complètement de la conduite.
- Retirez la vanne d'alimentation en eau froide de la conduite verticale.
- Assurez-vous que le joint d'étanchéité est complètement inséré dans le filetage femelle de l'adaptateur d'arrivée.
- Installez l'adaptateur d'arrivée sur le robinet d'alimentation, au besoin. L'adaptateur d'arrivée peut être installé en dessous du tuyau d'alimentation ou au-dessus du tuyau d'arrivée d'eau froide. Serrez à la main seulement.
- Raccordez la conduite verticale à l'adaptateur d'arrivée.

NOTE: Assurez-vous de ne pas fausser le filetage.

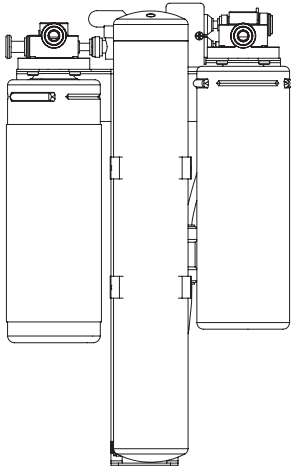


ROBINET - DÉMARRAGE RAPIDE

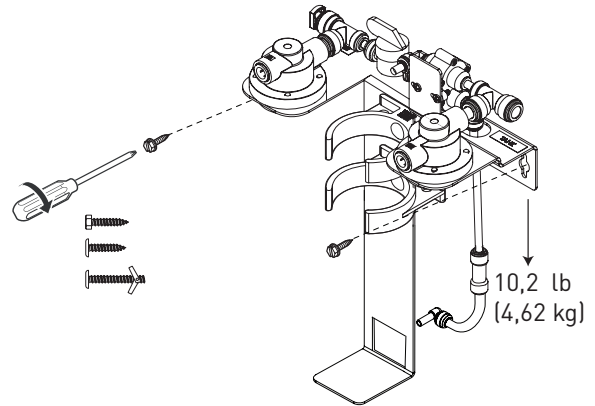
<p>1 Dimensions du trou de montage</p>  <p>1 3/8 po à 1 1/2 po de diamètre</p> <p>2 po max.</p>	<p>2 Fixer le tuyau d'eau usée</p>  <p>Tuyau rouge de 3/8 po relié au tuyau d'évacuation</p> <p>Tuyau rouge de 1/4 po</p> <p>Raccord coudé avec régulateur de débit</p>
<p>3 Fixer le raccord rapide au robinet</p> 	<p>4 Fixer le tuyau d'eau filtrée</p>  <p>Tuyau bleu de 3/8 po</p>
<p>5 Positionner le robinet</p> 	<p>6 Ajouter la rondelle fendue et la serrer</p>  <p>① Insérer</p> <p>② Serrer</p>

DÉMARRAGE RAPIDE DU SYSTÈME

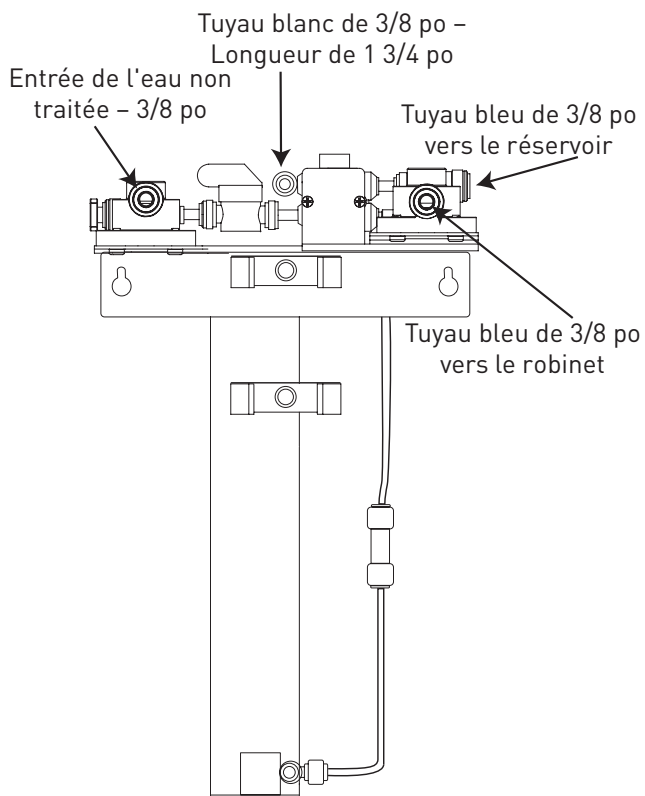
Système OI ROM IV



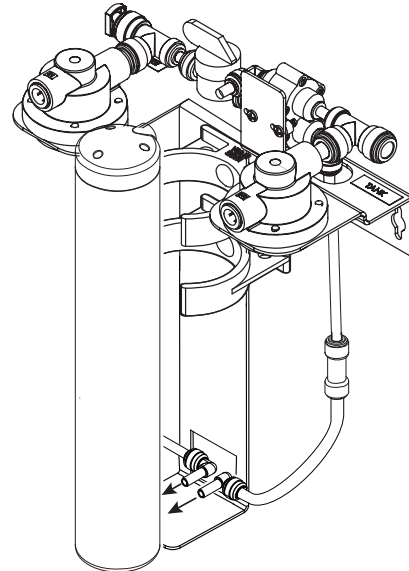
1 Fixer le collecteur



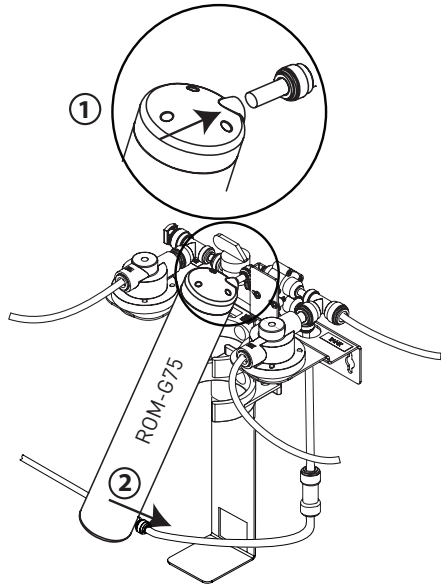
2 Emplacement des tuyaux



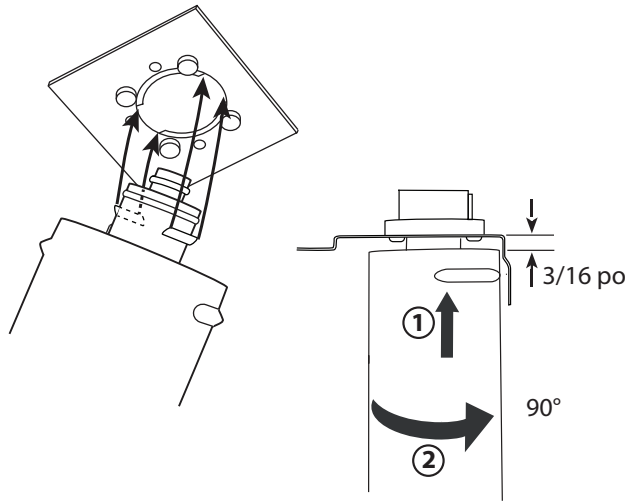
3 Raccorder le tuyau à la cartouche ROM-G75



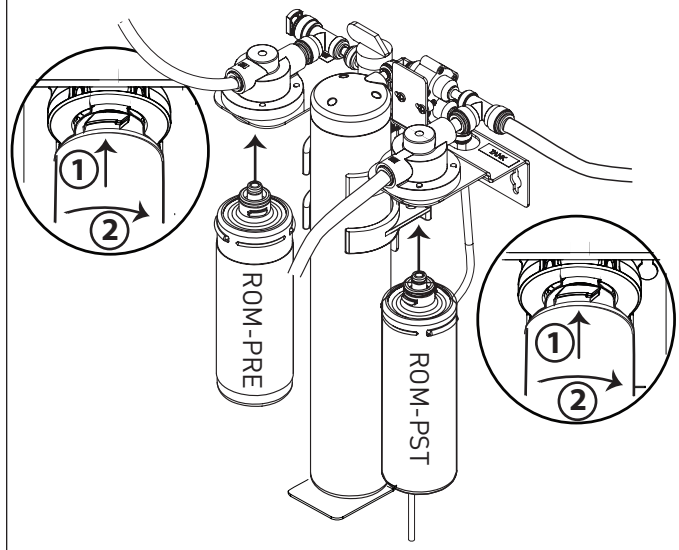
4 Installer la cartouche ROM-G75



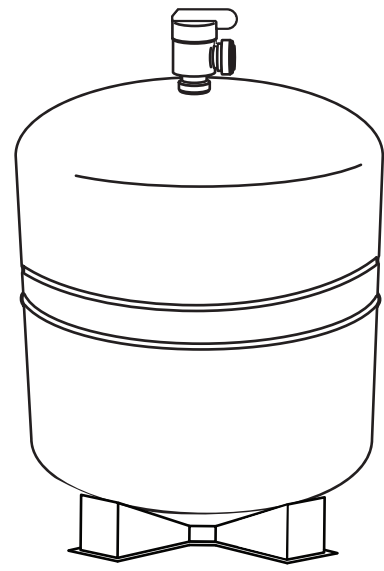
5 Installer les cartouches



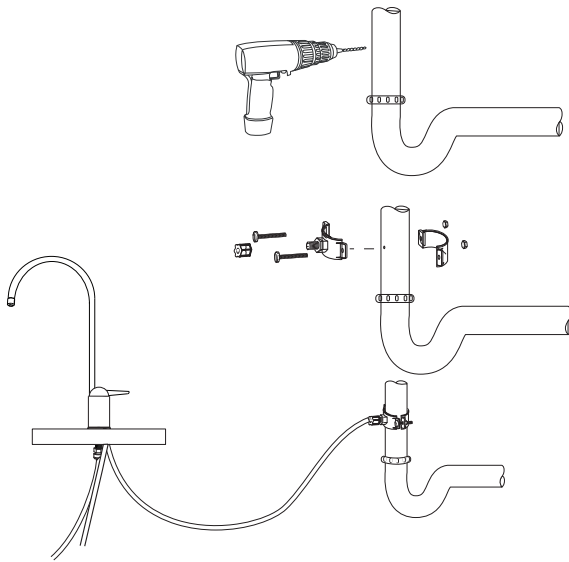
6



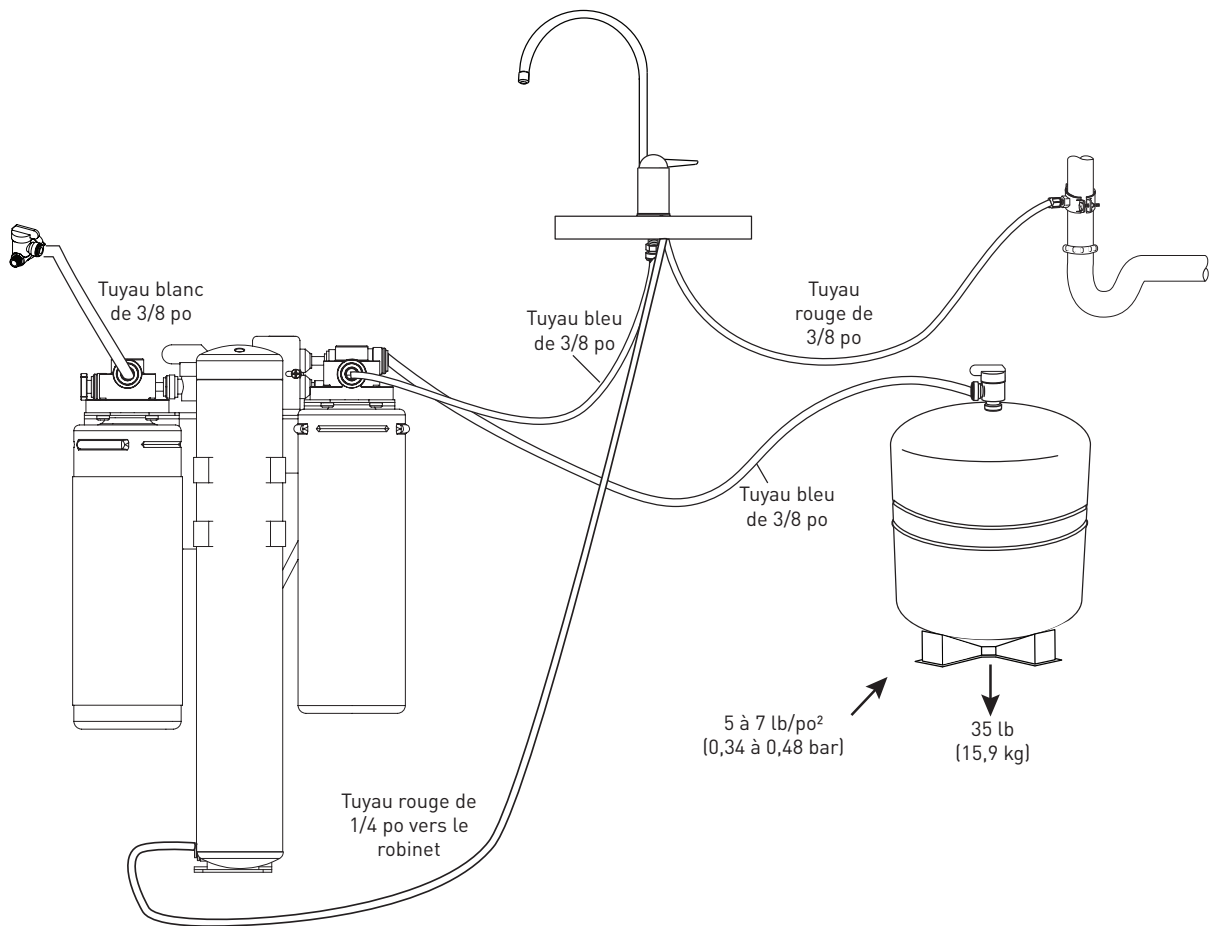
7 Assembler le réservoir

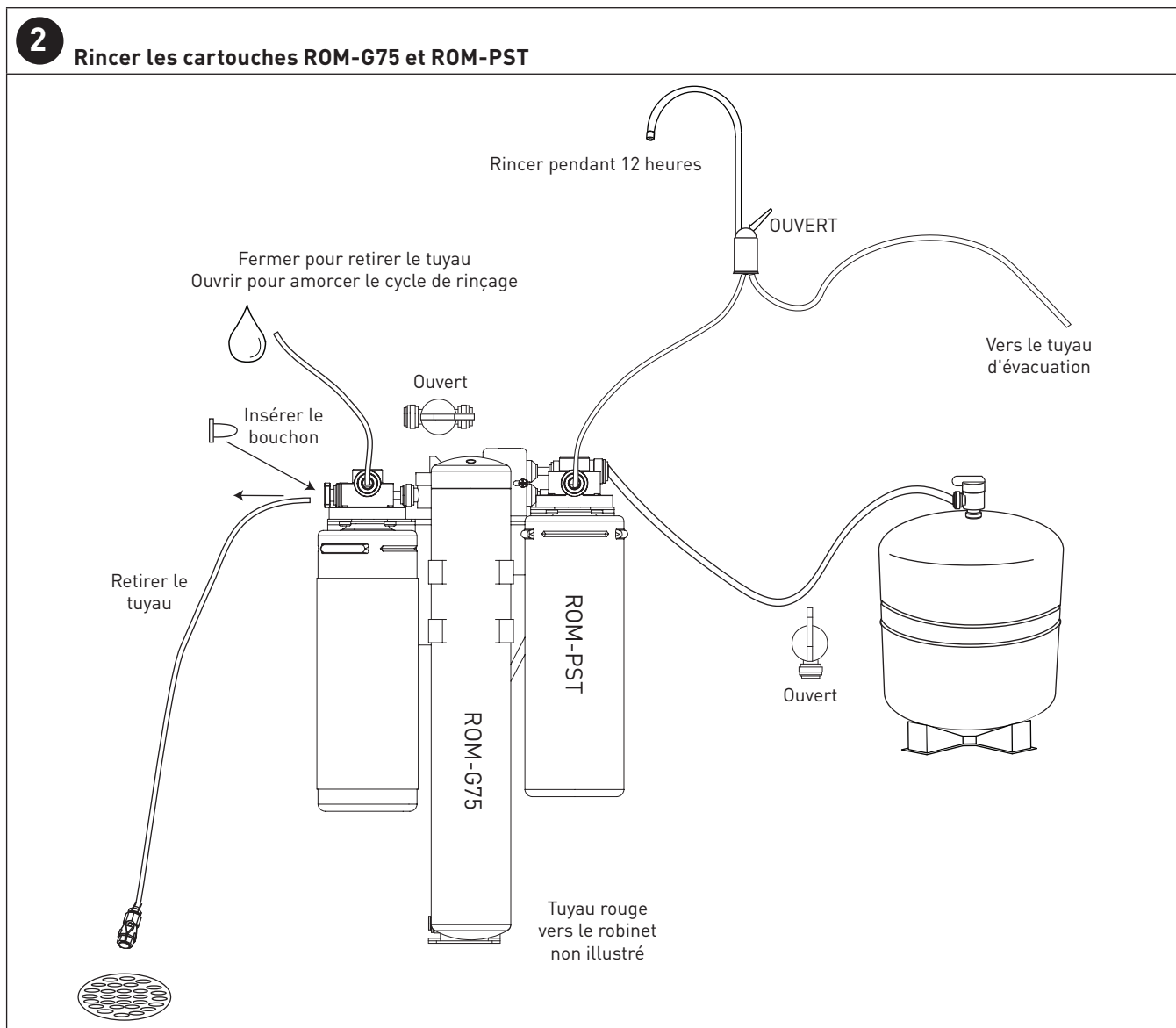


8 Raccorder au tuyau d'évacuation



9 Raccorder le tuyau du réservoir



2**Rincer les cartouches ROM-G75 et ROM-PST**

COMMENT FONCTIONNE L'OSMOSE INVERSE (OI)

Le système OI ROM IV utilise une membrane semi-perméable pour réduire la teneur en sels et en minéraux dissous et améliorer ainsi le goût et l'odeur de votre eau. La cartouche à membrane OI est composée de plusieurs films dont l'épaisseur est de l'ordre du micron et qui sont enroulés autour d'un tube central. Les molécules d'eau peuvent traverser la cartouche, mais les sels et les minéraux dissous sont rejetés.

Votre eau subit une préfiltration qui en réduit les impuretés et le chlore qui peuvent encrasser la membrane. La cartouche à membrane OI sépare cette eau préfiltrée en EAU FILTRÉE et en EAU USÉE. La pression d'admission de l'eau pousse l'eau à travers la membrane qui se trouve dans la cartouche à membrane, dans le réservoir de stockage. L'eau ainsi stockée est l'eau filtrée. Les sels dissous ne peuvent traverser la membrane et sont évacués sous forme d'eau usée. Lorsque le robinet est ouvert, l'eau filtrée (perméat) est soutirée du réservoir de stockage et traverse un filtre de polissage post-filtration. Le filtre de polissage post-filtration élimine le goût et l'odeur résiduels et offre à votre famille et à vous une eau savoureuse.

Le système OI ROM IV comporte également une vanne de coupure automatique qui arrête le système lorsque la pression à l'intérieur du réservoir de stockage atteint les deux tiers de la pression d'admission (la pression d'eau de votre tuyauterie). Lorsque vous ouvrez le robinet pour soutirer de l'eau du réservoir de stockage, la pression à l'intérieur du réservoir baisse, et la vanne de coupure automatique s'ouvre. Le système commence alors à fonctionner et à remplacer l'eau que vous avez tirée du réservoir de stockage. Selon la capacité du système, pour chaque gallon d'eau produit, jusqu'à 1 gallon (3,79 L) est rejeté sous forme d'eau usée. Le réservoir de stockage peut contenir jusqu'à 3,2 gallons (12,1 L) d'eau.

NOTE: Lorsque le système est utilisé dans les conditions indiquées dans le présent manuel, la cartouche à membrane du système OI ROM IV devrait durer de 12 à 24 mois. La durée de vie de la cartouche à membrane OI dépendra de la qualité de l'eau qui entre dans le système et de la fréquence d'utilisation du système. Une utilisation fréquente prévient l'accumulation de sels dissous sur la membrane sous forme de tartre. Plus le système doit produire d'eau, plus la membrane durera longtemps.

INSTALLATION

NOTE: Veuillez lire toutes les directives et spécifications et prendre toutes les précautions nécessaires avant d'installer et d'utiliser votre système OI ROM IV.

NOTE: Le système OI ROM IV peut être installé sous un évier, un comptoir ou un refroidisseur d'eau.

NOTE: Le système OI ROM IV est installé à la verticale.

NOTE: Les schémas numérotés correspondent aux étapes à suivre.

Choix de l'emplacement du robinet

NOTE: L'emplacement du robinet d'eau potable doit être choisi en tenant compte du fonctionnement, de la commodité et de l'aspect esthétique. Trouvez une surface plane adéquate pour que la base du robinet repose à plat de façon stable. Le robinet s'insère dans un orifice de 1 3/8 po. La plupart des éviers comportent des trous de 1 po 3/8 ou de 1 po 1/2 qui peuvent servir à l'installation du robinet. Si ces trous ne peuvent pas servir à l'installation ou s'ils se trouvent à un endroit peu commode, il sera nécessaire de percer un trou d'un diamètre de 1 3/8 po. Cette procédure produit de la poussière qui risque de provoquer de l'irritation en cas d'inhalation ou de contact avec les yeux. Le port de lunettes de sécurité et d'un appareil de protection respiratoire est recommandé pour cette procédure.

WARNING: Ne pas tenter de percer un évier entièrement fait de porcelaine. Si vous avez un évier fait entièrement de porcelaine, montez le robinet sur le trou déjà perforé destiné à la douchette ou percez le comptoir à proximité de l'évier.

WARNING: Avant de percer un comptoir, assurez-vous qu'il n'y a aucun fil ni tuyau sous la zone à percer. Vérifiez si l'espace est suffisant pour faire les raccordements nécessaires sous le robinet.

WARNING: Ne percez pas un comptoir dont l'épaisseur est supérieure à 1 po.

WARNING: Ne tentez pas de percer un trou dans un comptoir fait de carreaux de céramique, de marbre, de granite ou d'un matériau similaire. Pour obtenir des conseils ou de l'aide, adressez-vous à un plombier ou au fabricant du comptoir.

1. Déposez du papier journal au fond de l'évier pour éviter que des copeaux de métal, des pièces ou des outils tombent dans la bonde de l'évier.
2. Collez du ruban-masque sur la surface à percer pour éviter les éraflures si la mèche de perceuse glisse.
3. Marquez l'emplacement du trou à l'aide d'un pointeau. Utilisez une mèche de perceuse de 1/4 po pour percer l'avant-trou.
4. Utilisez une scie-cloche de 1 3/8 po et percez un trou qui traverse complètement l'évier. Poncez les rebords inégaux avec une lime.

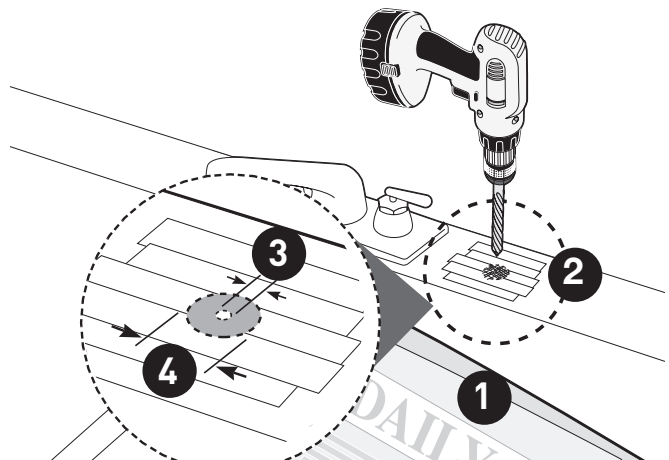


Figure 32

Montage du robinet

1. Desserrez l'écrou de tige du robinet et retirez le disque métallique en C, le cas échéant.
2. Fixez le gros tuyau d'évacuation de 3/8 po (rouge) au raccord cannelé à la base du robinet. Ce tuyau devrait être suffisamment long pour atteindre le collier de serrage.
3. Repérez le tuyau de saumure rouge de 1/4 po qui comporte un raccord rapide coudé préassemblé à une extrémité. Reliez l'extrémité ouverte au petit raccord cannelé qui se trouve sur le robinet. Assurez-vous que le tuyau n'est pas plié ou tendu une fois la tête montée.
4. Glissez la plaque chromée et la rondelle en caoutchouc noire sur le robinet en faisant passer les deux tuyaux de vidange dans les orifices de la plaque et de la rondelle.
5. Glissez le séparateur blanc sur la longue partie filetée du robinet. L'extrémité ouverte du séparateur devrait être en contact avec la base du robinet.
6. Faites glisser la rondelle puis la rondelle de blocage sur la partie filetée et insérez l'écrou de manœuvre. NE serrez PAS l'écrou à ce stade.
7. Appliquez de trois (3) à cinq (5) couches de ruban de plombier sur la tige du robinet. Vissez le raccord rapide sur l'embout fileté du robinet.
8. Humectez l'extrémité du tuyau bleu de 3/8 po. Insérez le tuyau dans le bas du raccord rapide sur 3/4 po. Tirez doucement sur le tuyau afin de vous assurer qu'il est bien raccordé.
9. Pour retirer le tuyau, appuyez sur le collier du raccord et tirez sur le tuyau.
10. En tenant le robinet, insérez les trois (3) tuyaux à travers le trou dans l'évier. Placez la poignée de robinet à l'endroit désiré.
11. Centrez le robinet et glissez le disque en C entre le séparateur blanc et le dessous du comptoir ou de l'évier. Serrez l'écrou de manœuvre à l'aide d'une clé jusqu'au serrage complet.

NOTE: Évitez de trop serrer le contre-écrou. Ajustez et serrez jusqu'à ce que le robinet soit bien fixé.

12. Insérez fermement le col de cygne dans la base du robinet.

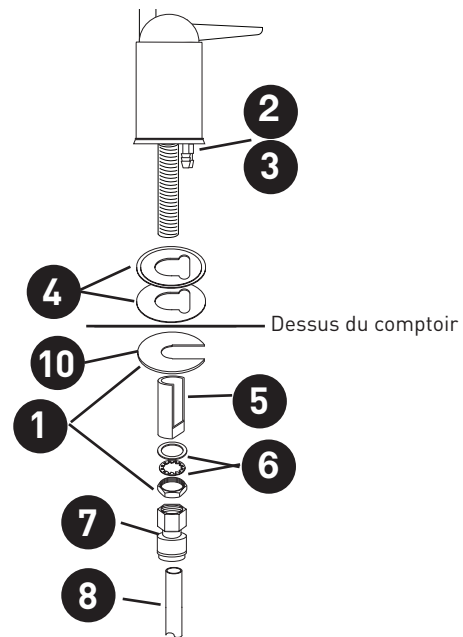


Figure 33

Montage du système

CAUTION: La tête de filtre doit être montée sur un montant ou une surface stable. Le support de montage supportera le poids des cartouches et préviendra les tensions sur les tuyaux d'eau.

1. Choisissez l'endroit où l'appareil sera monté. La tête est montée en position verticale.
2. Lorsque vous montez le système OI ROM IV, deux (2) vis sont nécessaires au montage de la tête. Mesurez 15,5 po (39,4 cm) à partir du plancher de l'armoire. Voir la Figure 34. Vous obtiendrez ainsi le dégagement nécessaire au remplacement des cartouches. Les deux (2) vis seront distantes de 14 po (35,6 cm) et de niveau. Vissez les deux (2) vis dans le mur. Laissez un espace de 1/8 po entre la tête de la vis et le mur. L'arrière de la tête comporte deux (2) fentes qui s'ajusteront sur les têtes des vis. Faites glisser vers le bas pour verrouiller l'assemblage.

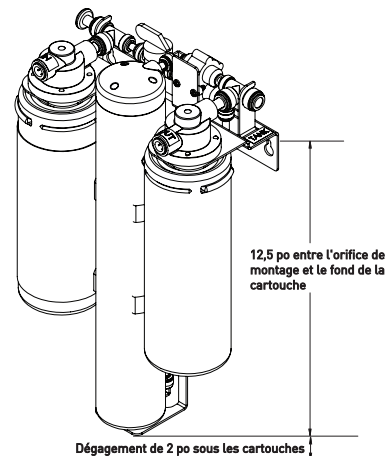


Figure 34

Raccordement du robinet

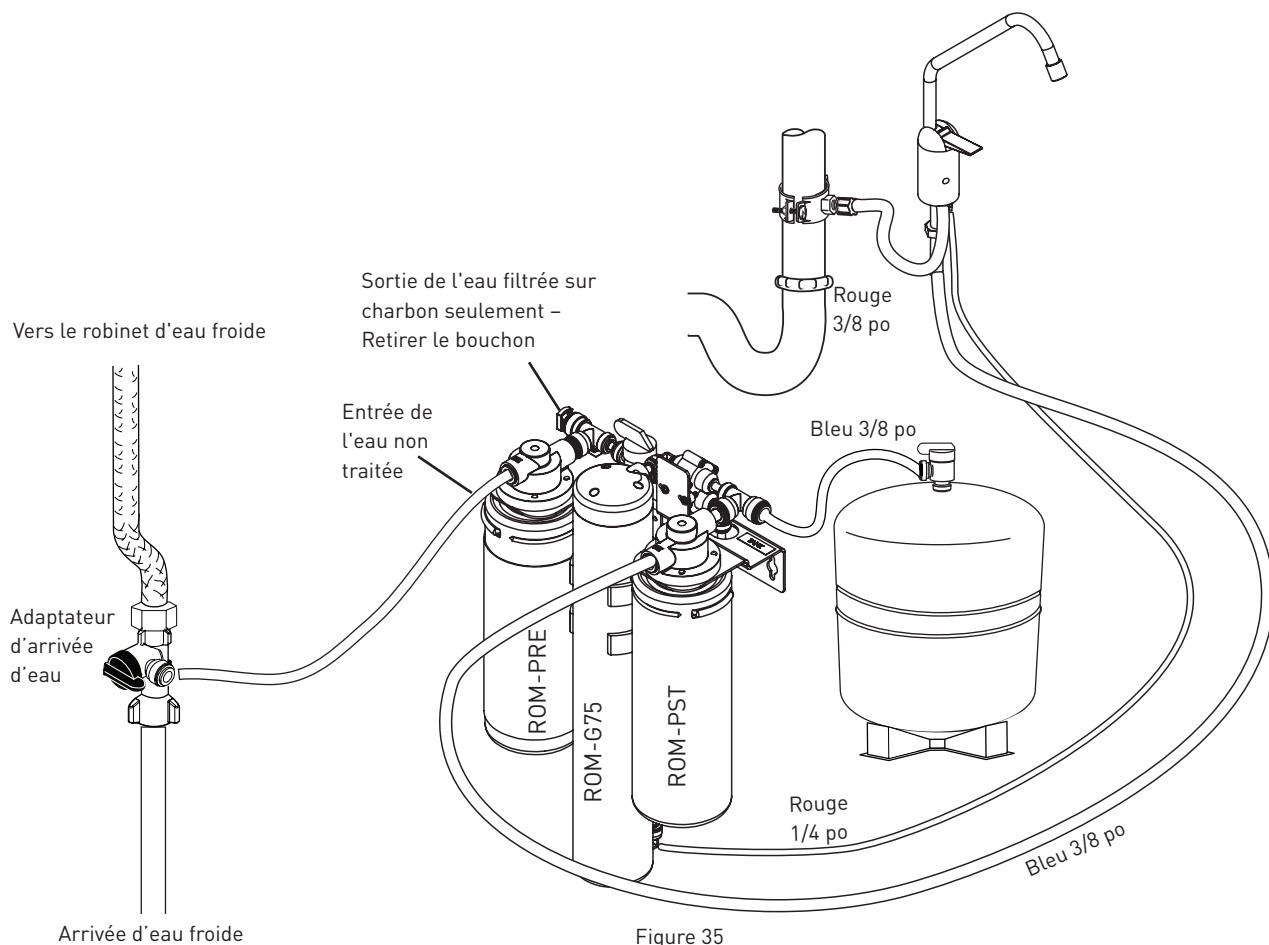
CAUTION: L'alimentation en eau du système OI ROM IV devrait être munie d'une vanne de coupure distincte. Si ce n'est pas le cas, il faut en installer une.

1. Repérez le tuyau bleu de 3/8 po relié au robinet. Voir la Figure 35. Le tuyau ne doit pas présenter de courbures ou de coudes à angle vif qui nuiront à l'écoulement de l'eau. Coupez à la longueur voulue. Tracez une marque à 3/4 po (1,9 cm) de l'extrémité du tuyau.

IMPORTANT : Une longueur de ce tuyau bleu de 3/8 po sera utilisée pour raccorder le réservoir de stockage au collecteur. Lorsque vous coupez ce tuyau, tenez compte du fait que cette longueur sera utilisée pour le réservoir. Humectez l'extrémité du tuyau et insérez le tuyau dans le raccord rapide qui se trouve sur la tête. Enfoncez-le jusqu'à ce que la marque soit alignée sur le raccord rapide.

2. Tirez délicatement sur le tuyau pour vérifier s'il est bien raccordé. Si le tuyau dépasse du raccord, coupez une petite longueur de tuyau et raccordez-le de nouveau.

NOTE: Au besoin, vous pouvez retirer rapidement et facilement le tuyau du raccord. Coupez d'abord l'alimentation en eau du filtre. Ouvrez le robinet, puis appuyez sur le collier qui entoure le raccord tout en tirant sur le tuyau de l'autre main.



Raccordement de l'alimentation en eau

1. Calculez la longueur de tuyau de plastique blanc de 3/8 po requise pour raccorder l'arrivée du filtre (à gauche) à l'alimentation en eau. Prévoyez une longueur de tuyau suffisante pour éviter son tortillement et taillez le tuyau d'équerre. Tracez une marque à 3/4 po (1,9 cm) de l'extrémité du tuyau.
2. Humectez le tuyau et insérez-le dans l'adaptateur d'arrivée d'eau de 3/4 po (1,9 cm) jusqu'à ce que la marque soit alignée sur le raccord.

Installation du collier de serrage sur le tuyau d'évacuation

NOTE: Si vous avez un évier à un seul bac avec broyeur de déchets, communiquez avec le soutien technique au 800 279-9404 pour connaître vos options.

NOTE: Avant d'installer le collier de serrage, vérifiez si les tuyaux d'évacuation qui se trouvent sous l'évier sont corrodés. Vous devez remplacer tous les tuyaux corrodés avant de poursuivre l'installation.

3. Fixez le collier de serrage à un tronçon vertical du tuyau d'évacuation, à environ 6 po (15,2 cm) au-dessus du siphon. Assurez-vous que l'ouverture du collier de serrage fait face au robinet d'eau potable. Voir la Figure 36.

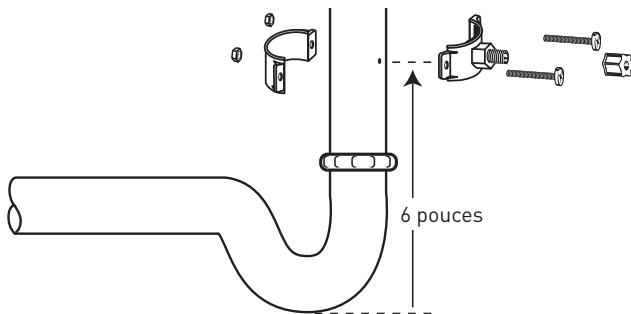


Figure 36

4. En utilisant le trou d'ajustement du collier de serrage comme guide, percez un trou de 1/4 po (0,6 cm) sur un côté du tuyau d'évacuation. Voir la Figure 37.
5. Retirez le collier de serrage du tuyau d'évacuation et agrandissez le trou à l'aide d'une mèche de 3/8 po (1,0 cm). Utilisez une lime pour adoucir les bords rugueux du trou.

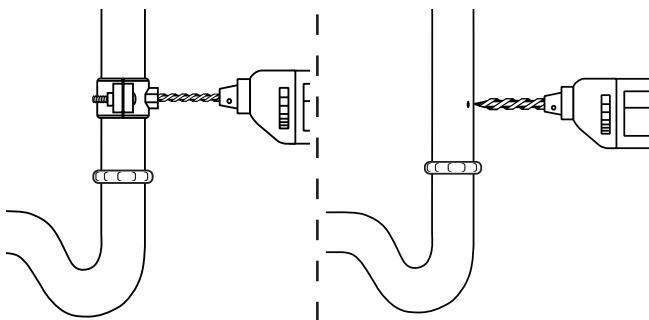


Figure 37

6. Assurez-vous que la rondelle en caoutchouc noire est bien en place dans le collier de serrage et placez le collier de serrage sur le trou percé. Regardez par le trou et positionnez le collier de manière que son centre soit légèrement plus haut (1/16 po) que le centre du trou percé (voir la Figure 38). Serrez le collier fermement.
7. Vissez l'écrou à compression en plastique sur le collier de serrage jusqu'à ce qu'il soit bien serré.

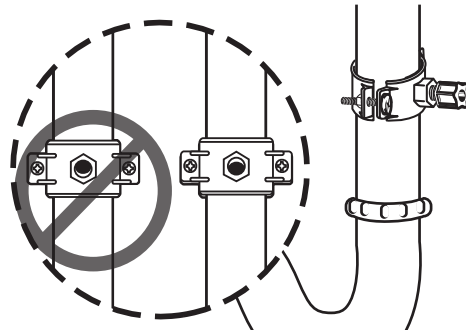


Figure 38

Raccordement du robinet au tuyau de vidange

NOTE: Il s'agit d'un tuyau de vidange par gravité. Vous devez éliminer les plis, les boucles et les courbes trop prononcées avant de poursuivre. L'absence d'une trajectoire droite vers le tuyau de vidange pourrait amener l'eau usée à s'infiltrer par la coupure antiretour située au-dessus du comptoir, en dessous du robinet.

1. Alignez le tuyau rouge de 3/8 po relié au robinet sur l'écrou à compression situé sur le collier de serrage (voir la Figure 39). Le parcours du tuyau doit être le plus droit possible. Coupez le tuyau d'équerre sous l'écrou et éliminez toutes les bavures internes et externes.
2. Desserrez l'écrou à compression de deux (2) tours complets. Insérez le tuyau dans l'écrou jusqu'en butée. Serrez l'écrou avec les doigts, puis serrez-le d'un (1) ou deux (2) tours à l'aide d'une clé.

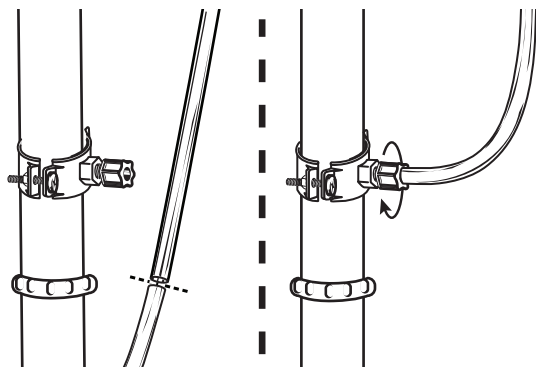


Figure 39

INSTALLATION DES CARTOUCHES

Les cartouches sont identifiées par la couleur de leur étiquette et leur numéro de modèle.

Cartouche 1 : Cartouche de préfiltration Everpure ROM-PRE

Cartouche 2 : Cartouche OI Everpure ROM-G75

Cartouche 3 : Cartouche de post-filtration Everpure ROM-PST

Installez les cartouches dans l'ordre. Sinon, la filtration ne se fera pas correctement.

Installation de la cartouche ROM-G75

La cartouche OI ROM-G75 est installée en position verticale. Il y a trois (3) orifices de raccordement rapide étiquetés.

- Admission – Blanc
- Perméat (eau filtrée) – Bleu
- Évacuation – Rouge

Cette cartouche est installée avant les deux cartouches extérieures. Le collecteur doit être déjà solidement fixé.

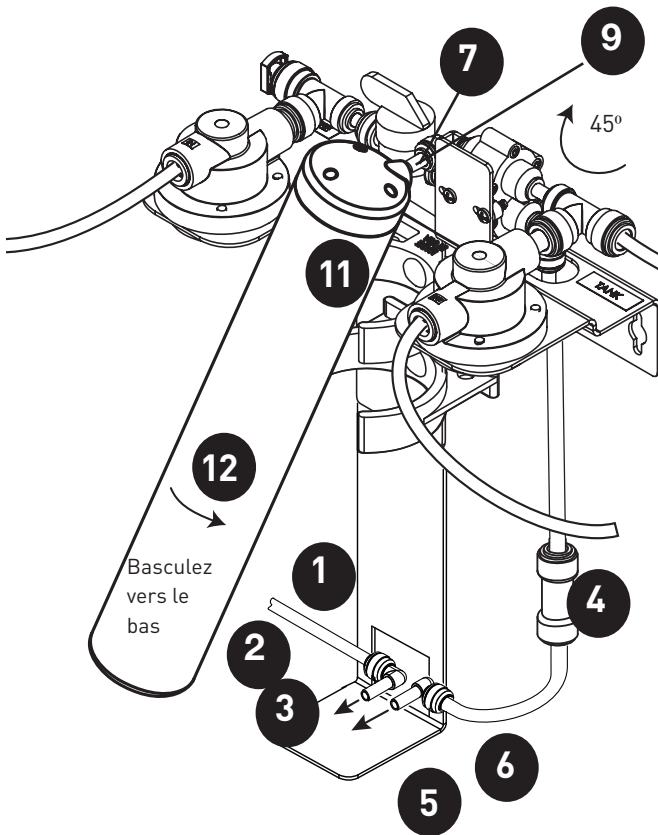


Figure 40

Les numéros de la Figure 40 se rapportent aux étapes ci-dessous.

1. Repérez le tuyau d'évacuation rouge muni d'un raccord coudé préassemblé. Ce tuyau a déjà été raccordé au robinet.

CAUTION: NE retirez PAS le raccord rapide coudé du tuyau rouge. Cet ensemble contient un contrôleur de débit qui peut être endommagé s'il est retiré. L'efficacité du système OI ROM IV peut être réduite.

2. Tracez une marque à 5/8 po (1,6 cm) de l'extrémité du petit bout de tuyau d'évacuation rouge.
3. Insérez le tuyau dans l'orifice d'évacuation rouge au fond de la cartouche (Figure 41). Enfoncez-le jusqu'à ce que la marque soit alignée sur le raccord rapide.
4. Le tuyau d'eau filtrée (bleu) est préassemblé au collecteur. Inspectez le clapet antiretour afin de vous assurer que l'écoulement se fait vers le haut.
5. Tracez une marque à 5/8 po (1,6 cm) de l'extrémité du petit bout de tuyau.
6. Insérez le tuyau dans l'orifice de perméat bleu au fond de la cartouche ROM-G75 (Figure 41). Enfoncez-le jusqu'à ce que la marque soit alignée sur le raccord rapide.
7. Repérez le tuyau qui sera installé dans l'orifice d'admission de la cartouche ROM-G75. Le tuyau doit être installé dans le raccord coudé qui sort de la vanne de coupure automatique. La longueur visible du tuyau doit être de 1 po (2,5 cm).
8. Mesurez 5/8 po (1,6 cm) à partir de l'extrémité du tuyau et tracez une marque.
9. Faites tourner le raccord rapide vers le haut de 45°.
10. Positionnez la cartouche ROM-G75 de manière que l'orifice d'admission se trouve en face du tuyau. La cartouche basculera vers l'extérieur dans le bas et ne sera pas retenue par les pinces.
11. Insérez la cartouche sur le tube jusqu'à ce que la marque tracée à 5/8 po (1,6 cm) soit alignée sur le raccord rapide.
12. Faites basculer la cartouche vers le bas. Le raccord coudé doit se déplacer avec la cartouche. La cartouche s'enclenche dans les deux pinces. Le tuyau et le raccord coudé doivent se trouver directement en face de l'orifice d'admission.
13. Si le tuyau n'est pas placé directement en face de l'orifice d'admission, il faut faire glisser la cartouche vers le haut ou vers le bas.

NOTE: Le fond de la cartouche ROM-G75 sera supporté par la patte inférieure du support.

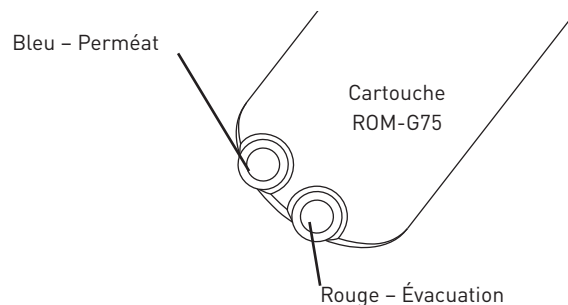


Figure 41

Installation de la cartouche ROM-PRE

Repérez la cartouche ROM-PRE et inspectez les joints toriques. Ils doivent être propres et légèrement lubrifiés à l'aide de graisse de silicone.

1. Alignez les pattes sur les fentes situées dans l'ouverture, du côté gauche de la tête. Voir la Figure 42.
2. Insérez la cartouche jusqu'au fond.
3. Faites tourner la cartouche de 90 ° vers la droite (sens horaire) pour la verrouiller en place.

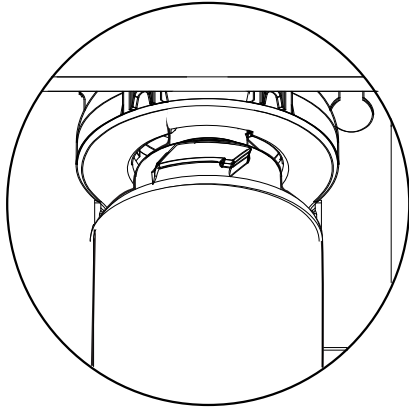


Figure 42

Installation de la cartouche ROM-PST

Repérez la cartouche ROM-PST et inspectez les joints toriques. Ils doivent être propres et légèrement lubrifiés à l'aide de graisse de silicone.

1. Alignez les pattes sur les fentes situées dans l'ouverture, du côté droit de la tête. Voir la Figure 42.
2. Insérez la cartouche jusqu'au fond.
3. Faites tourner la cartouche de 90 ° vers la droite (sens horaire) pour la verrouiller en place.

Raccordement du réservoir de stockage au système

CAUTION: Lorsque le réservoir est plein, il pèse environ 30 lb (13,6 kg). Prévoyez un appui suffisant sous le réservoir.

1. Vissez la vanne sur l'ouverture du réservoir en tournant dans le sens horaire jusqu'à ce qu'elle soit bien serrée.
2. Repérez le bout de tuyau bleu (coupé à une étape précédente) et tracez une marque à 3/4 po (1,9 cm) de l'extrémité. Humectez une extrémité du tuyau bleu et insérez le tuyau en lui imprimant un mouvement de torsion dans l'orifice de la vanne du réservoir jusqu'à ce que la marque tracée à 3/4 po de l'extrémité se trouve vis-à-vis du raccord rapide.
3. Tracez une marque à 3/4 po (1,9 cm) de l'extrémité. Humectez l'extrémité et insérez le tuyau dans le raccord ouvert sur la dernière tête (du côté droit) jusqu'à ce que la marque tracée à 3/4 po soit alignée sur le raccord rapide.

NOTE: Le réservoir de stockage sous pression a une capacité de 3,2 gallons (12,1 L). La pression d'air du réservoir est réglée en usine à 5 à 7 lb/po² lorsque le réservoir est vide.

MISE EN MARCHÉ DU SYSTÈME

CAUTION: Assurez-vous que la tête est solidement fixée au mur et qu'elle ne risque pas de tomber et de subir des dommages.

NOTE: Le système OI ROM IV ne produit pas sur demande un aussi grand volume d'eau que les systèmes de filtration ordinaires. L'eau est produite lentement, goutte à goutte. Il faut environ trois (3) heures au système pour remplir le réservoir de stockage. À mesure que de l'eau est prélevée du réservoir, le système amorce automatiquement le cycle de remplacement, puis arrête de produire de l'eau lorsque le réservoir est plein.

Il faut suivre plusieurs étapes pour mettre correctement en marche le système OI ROM IV. Avant d'ouvrir l'alimentation en eau, voir la Figure 43 :

- Retirez le bouchon rapide qui se trouve à l'extrémité gauche du collecteur et raccordez l'orifice à un tuyau de vidange au moyen d'un tuyau.
- Mettez la vanne de coupure en position d'arrêt.
- Mettez la vanne du réservoir en position d'arrêt.
- Le levier du robinet doit être en position fermée.

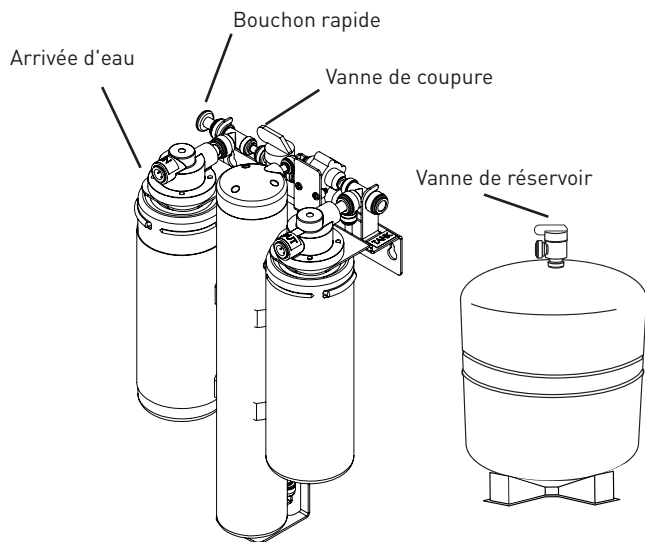


Figure 43

1. Pour rincer la cartouche ROM-PRE vers un tuyau de vidange, retirez le bouchon rapide à l'extrémité gauche du collecteur et insérez une longueur de tuyau temporaire dans le raccord.

NOTE: Le tuyau et robinet à boisseau tournant sont fournis.

Ouvrez l'arrivée d'eau. Rincez la cartouche ROM-PRE vers un tuyau de vidange pendant cinq (5) minutes à plein débit pour éliminer toutes les particules fines de carbone.

CAUTION: Si la cartouche ROM-PRE n'est pas rincée, la cartouche à membrane OI ROM-G75 sera endommagée. La garantie sera alors annulée.

2. Après cinq (5) minutes, fermez l'arrivée d'eau. Retirez le tuyau temporaire et remplacez le bouchon rapide.

3. Assurez-vous que la vanne du réservoir est en position ouverte.
4. Ouvrez la vanne de coupure.
5. Ouvrez lentement l'arrivée d'eau.
6. Ouvrez le robinet pour amorcer le débit d'eau. Laissez l'eau couler ou goutter pendant 12 heures, puis fermez le robinet.
7. Laissez le réservoir se remplir d'eau, ce qui prend trois (3) heures. Continuez à vérifier périodiquement si l'installation présente des fuites. Une fois que le réservoir de stockage est plein, ouvrez le robinet pour rincer la cartouche de post-filtration (du côté droit du boîtier de filtre). Attendez de quatre (4) à cinq (5) minutes, le temps que toute l'eau soit évacuée du réservoir. Fermez le robinet et laissez le réservoir se remplir.
8. Répétez l'étape 7 trois (3) fois.

CAUTION: Vérifiez visuellement l'ensemble du système à la recherche de fuites. Si vous décelez une fuite, consultez la section Dépannage.

NOTE: Au départ, l'eau peut sembler trouble. Cette turbidité est causée par l'air emprisonné dans la cartouche de post-filtration. Elle ne présente pas de danger et disparaîtra en quelques minutes. Il peut falloir jusqu'à une semaine après l'installation d'une nouvelle cartouche de post-filtration pour que l'air emprisonné se dissipe.

Le système est prêt à fonctionner. Vous avez maintenant accès à l'eau de qualité produite par le système OI ROM IV.

ESSAI DE VOTRE SYSTÈME À OSMOSE INVERSE

Analyse des matières dissoutes totales (MDT)

NOTE: La norme NSF/ANSI recommande fortement de faire analyser l'eau filtrée au moins tous les six (6) mois afin de s'assurer que le système fonctionne correctement.

QUAND REMPLACER LES CARTOUCHES

La durée de vie de la cartouche dépend du volume d'eau utilisé et des substances présentes dans l'eau. La cartouche devrait ordinairement être remplacée tous les 12 mois. Remplacez plus souvent la cartouche si la pression d'eau au robinet commence à baisser de façon appréciable ou si vous remarquez des changements dans le goût, la couleur ou le débit de l'eau filtrée.

REPLACEMENT DES CARTOUCHES

Cartouches de rechange :

Cartouche de préfiltration Everpure ROM-PRE – EV929675

Cartouche de post-filtration Everpure ROM-PST – EV929676

Cartouche OI Everpure ROM-G75 – EV929775

Remplacez plus souvent les cartouches de préfiltration et de post-filtration si la pression d'eau au robinet commence à baisser de façon appréciable ou si vous remarquez des changements dans le goût, la couleur ou le débit de l'eau filtrée. Toutes les cartouches devraient être remplacées simultanément. Les codes de couleur indiquent à quel endroit chaque cartouche doit être installée.

NOTE: Seules les cartouches de rechange recommandées peuvent être utilisées avec ce système. Le défaut d'utiliser les cartouches de rechange recommandées mène à l'annulation de votre garantie.

1. Placez un petit bac ou une serviette sous le système OI ROM IV pour recueillir les gouttes d'eau éventuelles. Coupez l'arrivée d'eau.
2. Retirez les deux (2) cartouches extérieures en faisant tourner chaque cartouche d'un quart de tour dans le sens antihoraire. Puis tirez vers le bas pour les dégager.
3. Retirez la cartouche ROM-G75 centrale en la basculant vers le haut et vers l'extérieur au niveau du raccord du haut. Une fois la cartouche dégagée des pinces, vous pouvez la débrancher du raccord rapide du haut. Débranchez les deux tuyaux des raccords rapides du bas.
4. Raccorder les tuyaux rouge et bleu au fond de la nouvelle cartouche ROM-G75.
5. Positionnez la nouvelle cartouche ROM-G75 de manière que l'orifice d'admission se trouve en face du tuyau au sommet de la cartouche. Insérez la cartouche sur le tuyau, jusqu'au fond. Faites basculer la cartouche vers le bas (le raccord coudé doit pivoter avec la cartouche), à l'intérieur des pinces. Ajustez la hauteur de la cartouche de manière que le tuyau et le raccord coudé se trouvent directement face à la cartouche.

NOTE: Le fond de la cartouche ROM-G75 sera supporté par la patte inférieure du support.

6. Positionnez la cartouche ROM-PRE sous la tête de gauche. Alignez les pattes de la cartouche sur les fentes situées dans la tête.
7. Faites glisser la nouvelle cartouche dans la tête du filtre jusqu'à ce qu'elle n'aille pas plus loin.
8. Faites pivoter la cartouche d'un quart de tour vers la droite (dans le sens horaire) jusqu'à ce qu'elle s'enclenche. Tirez doucement sur la cartouche pour vous assurer qu'elle est bien enclenchée.
9. Répétez les étapes 6, 7 et 8 pour la cartouche ROM-PST.

CAUTION: La cartouche ROM-PRE peut contenir des particules fines de carbone qui seront éliminées lors du rinçage initial. Suivez la procédure de rinçage appropriée afin de prévenir tout dommage à la cartouche OI ROM-G75.

RINÇAGE INITIAL DES CARTOUCHES

L'installation de nouvelles cartouches nécessite un rinçage préliminaire des cartouches. Ce rinçage initial est nécessaire pour prévenir tout dommage à la cartouche OI.

Voir la page 62, Mise en marche du système, pour connaître la procédure complète de rinçage.

PROCÉDURE DE DÉSINFECTION – ALIMENTATION EN EAU CONTAMINÉE ET ALERTES D'ÉBULLITION

Lorsque le réseau d'eau a été contaminé ou qu'une alerte d'ébullition a été levée, il faut désinfecter la cartouche OI ROM IV. **Si une alerte d'ébullition vient tout juste d'être levée** : Rincez les conduites d'eau conformément aux directives de votre service d'approvisionnement en eau. Ouvrez le robinet de distribution et rincez le système pendant environ 10 minutes, puis suivez les directives ci-dessus pour le remplacement des cartouches.

1. Coupez l'alimentation en eau et ouvrez le robinet pour réduire la pression.
2. Retirez les cartouches filtrantes et mettez-les au rebut. Lavez-vous les mains avec du savon et de l'eau chaude.

NOTE: Si vous utilisez un bac d'égouttement, nettoyez-le avec du savon à vaisselle et de l'eau chaude.

NOTE: Aux étapes suivantes, vous ajouterez un javellisant au système OI ROM IV. Pentair Everpure offre une cartouche creuse, la cartouche de rinçage et de désinfection Everpure 2JT (EV9608-10), conçue à cette fin. Les étapes ci-dessous expliquent comment utiliser la cartouche Pentair Everpure 2JT (EV9608-10).

Procédure de désinfection à l'aide de la cartouche Pentair Everpure 2JT (EV9608-10)

3. Saisissez le bout de la colonne de sortie au sommet de la cartouche et tirez doucement. Tout le bouchon central ainsi que le long tuyau rattaché sortiront en laissant un orifice.

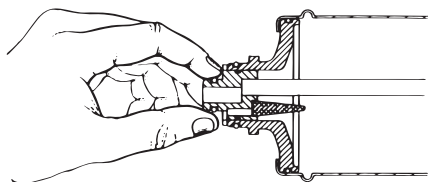


Figure 44

4. Versez une cuillerée à thé de javellisant pour lessive (solution à 5,25 % d'hypochlorure de sodium) dans la cartouche vide par le trou du dessus.
5. Lubrifiez le joint torique au moyen d'un lubrifiant au silicone de qualité. Remplacez le bouchon central et insérez la cartouche de rinçage dans la première tête installée (du côté gauche).

NOTE: N'utilisez pas de gelée de pétrole pour lubrifier les joints toriques, car cette substance dégradera les joints.

CAUTION: N'installez PAS la cartouche à membrane OI ROM-G75 pour la procédure de désinfection. La solution endommagerait gravement la membrane.

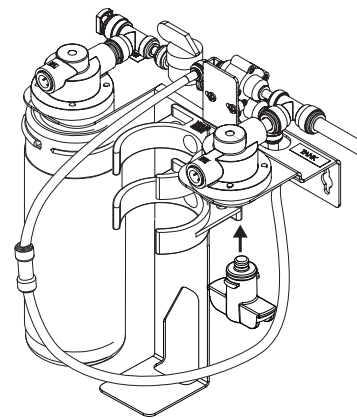


Figure 45

6. Insérez un bouchon dans la dernière tête (du côté droit).
7. Lorsque la cartouche OI est retirée, le tuyau bleu au bas de la cartouche peut être utilisé pour la procédure de désinfection. Retirez le raccord rapide coudé qui se trouve sur le tuyau bleu et enlevez le tuyau court au sommet du raccord rapide coudé.
8. Raccordez l'extrémité inférieure du tuyau bleu au raccord rapide coudé qui est normalement relié à l'orifice d'admission de la cartouche OI.
9. La vanne du réservoir et la vanne de coupure du collecteur doivent être ouvertes. Le robinet doit être en position d'arrêt.
10. Ouvrez lentement l'arrivée d'eau. Ouvrez le robinet et surveillez l'écoulement d'eau du système OI ROM IV. Si vous décelez une odeur de chlore, fermez la vanne du robinet. Le réservoir de stockage se remplira d'eau chlorée.
11. Attendez au moins 30 minutes pour permettre une désinfection adéquate.
12. Coupez l'arrivée d'eau.
13. Ouvrez la vanne du robinet. Le réservoir de stockage se videra.
14. Lorsque le réservoir de stockage est vide, fermez la vanne du robinet et retirez la cartouche 2JT.
15. Installez une nouvelle cartouche ROM-PRE dans la première tête (du côté gauche).
16. Ouvrez la vanne du robinet et ouvrez lentement l'arrivée d'eau. Laissez couler l'eau pendant cinq (5) minutes. Les particules fines seront ainsi éliminées de la nouvelle cartouche.
17. Fermez le robinet et laissez le réservoir se remplir pendant trois (3) à cinq (5) minutes.
18. Coupez l'arrivée d'eau.
19. Ouvrez le robinet pour permettre au réservoir de se vider.
20. Une fois que l'eau a cessé de couler, fermez le robinet, ouvrez l'arrivée d'eau et laissez le réservoir se remplir pendant trois (3) à cinq (5) minutes.
21. Répétez les étapes 17, 18 et 19 quatre (4) fois.
22. Coupez l'alimentation en eau et ouvrez le robinet pour réduire la pression.
23. Installez la nouvelle cartouche ROM-PST dans la dernière tête (du côté droit).

24. Ouvrez le robinet et l'arrivée d'eau. Laissez couler l'eau pendant cinq (5) minutes pour rincer la cartouche ROM-PST. Fermez ensuite l'arrivée d'eau.
 25. Installez une nouvelle cartouche OI ROM-G75.
 26. Ouvrez l'arrivée d'eau. Laissez l'eau goutter pendant 12 heures pour rincer la cartouche OI.
 27. Fermez le robinet. Le réservoir de stockage se remplira.
- Le système OI ROM IV est prêt à fonctionner.

DÉPANNAGE

NOTE: Si la fuite persiste ou si le système présente d'autres fuites, fermez l'arrivée d'eau et communiquez avec le soutien technique au 800 279-9404.

Fuites entre la cartouche et le boîtier de filtre

1. Coupez l'arrivée d'eau froide. Fermez la vanne de réservoir. Ouvrez le robinet d'eau potable pour réduire la pression d'eau.
2. Retirez la cartouche et vérifiez si elle est endommagée. Vérifiez si les joints toriques sont logés correctement et sont propres.
3. Insérez la cartouche dans le boîtier de filtre en la faisant pivoter.
4. Ouvrez l'arrivée d'eau. Ouvrez la vanne du réservoir. Fermez le robinet d'eau potable lorsque l'eau commence à couler. Si la fuite persiste, communiquez avec le soutien technique.

Fuite entre la vanne de réservoir et le réservoir de stockage

1. Coupez l'arrivée d'eau vers le système. Ouvrez le robinet afin de vider le réservoir de stockage. Laissez l'eau couler pendant trois (3) à cinq (5) minutes jusqu'à ce qu'elle goutte.
2. Retirez le tuyau bleu de la vanne de réservoir en appuyant sur le collier qui entoure le raccord et en tirant sur le tuyau de l'autre main.
3. Dévissez la vanne du réservoir de stockage.
4. Inspectez la garniture en caoutchouc qui se trouve à l'intérieur de la zone filetée. Réparez ou remplacez la vanne au besoin.
5. Vissez la vanne sur le dessus de l'ouverture du réservoir en tournant dans le sens horaire jusqu'à ce qu'elle soit bien serrée.
6. Coupez 1 po (2,5 cm) de tuyau. Le tuyau doit être coupé d'équerre. Les bavures internes et externes doivent être enlevées. Tracez une marque à 3/4 po (1,9 cm) de l'extrémité du tuyau.
7. Humectez le tuyau et enfoncez-le jusqu'à ce que la marque soit alignée sur le raccord rapide.
8. Ouvrez l'arrivée d'eau et fermez le robinet d'eau potable.
9. Laissez le système monter en pression pendant plusieurs heures et vérifiez s'il y a des fuites.
10. Vérifiez la présence de fuites une fois le réservoir entièrement sous pression [de une (1) à trois (3) heures]. Si la fuite persiste, communiquez avec le soutien technique.

Fuites à l'emplacement des raccords rapides

CAUTION: Le tuyau rouge de 1/4 po raccordé au fond du raccord d'évacuation de la cartouche OI comporte un limiteur de débit. Le système ne fonctionnera pas correctement si le limiteur est enlevé.

1. Fermez la vanne de réservoir, coupez l'arrivée d'eau froide vers le système et ouvrez le robinet d'eau potable.
2. Appuyez sur le collier qui entoure le raccord rapide tout en tirant sur le tuyau de l'autre main.
3. Coupez 1 po (2,5 cm) de tuyau. Le tuyau doit être coupé d'équerre. Les bavures internes et externes doivent être enlevées. Tracez une marque à 5/8 po (1,6 cm) de l'extrémité du tuyau de 1/4 po ou à 3/4 po (1,0 cm) de l'extrémité du tuyau de 3/8 po.
4. Humectez l'extrémité et enfoncez le tuyau jusqu'à ce que la marque soit alignée sur le raccord rapide.
5. Ouvrez l'arrivée d'eau froide jusqu'en butée. Ouvrez la vanne du réservoir et fermez le robinet d'eau potable. Si la fuite persiste, communiquez avec le soutien technique.

Fuites du robinet

1. Assurez-vous que le tuyau rouge qui relie le robinet d'eau potable au tuyau de vidange est le plus droit possible (il est ordinairement nécessaire de couper cette conduite au moment de l'installation). Les plis ou les fléchissements dans cette conduite de vidange entraveront l'écoulement de l'eau vers le tuyau de vidange.
2. Assurez-vous que le collier de serrage du tuyau de vidange et l'orifice d'évacuation sont bien alignés. (Voir la section Figure 38).
3. Assurez-vous qu'aucun corps étranger n'obstrue la conduite de vidange ou l'orifice du collier de serrage. Si la fuite persiste, communiquez avec le soutien technique.

Débit nul ou faible dans la conduite de saumure (évacuation) (moins de 6 onces liquides ou 180 ml par minute)

NOTE: Avant de vérifier le débit de saumure (ou eau usée), assurez-vous que l'appareil produit de l'eau en fermant la vanne du réservoir de stockage et en ouvrant le robinet d'eau potable. L'eau doit goutter du robinet.

1. Remplacez la cartouche de préfiltration conformément aux directives de la section Remplacement de la cartouche, à la page 63, et vérifiez de nouveau le débit de la conduite de saumure (évacuation).
2. Si le préfiltre fonctionne correctement, il se peut que le régulateur de débit de saumure (ou d'évacuation) soit colmaté. Communiquez avec le soutien technique.

Teneur élevée en MDT dans l'eau filtrée

1. Si de fortes concentrations de MDT (matières dissoutes totales) sont décelées dans votre eau filtrée, il se peut que la cartouche OI doive être remplacée ou que le régulateur de débit d'eau usée soit colmaté. S'il s'agit d'une nouvelle installation, communiquez avec le soutien technique.
2. Sinon, tirez un gallon (3,8 L) d'eau de l'appareil. Au bout de 10 minutes, faites couler l'eau du robinet et analysez-la de nouveau.
3. Déterminez à quel moment vous avez remplacé la cartouche OI et communiquez avec le soutien technique.

Débit réduit au robinet d'eau potable

1. Coupez l'arrivée d'eau vers le système.
2. Ouvrez le robinet pour amorcer le débit d'eau.
3. Dévissez le bouchon noir à la base du réservoir de stockage pour exposer la soupape d'évacuation d'air. Utilisez un petit compresseur d'air ou une pompe à bicyclette pour introduire de l'air dans le réservoir. Cette injection d'air évacuera l'eau qui se trouve dans le réservoir de stockage par le robinet. Continuez à introduire de l'air jusqu'à ce qu'il n'y ait plus d'eau qui coule du robinet.
4. Fermez le robinet d'eau potable.
5. À l'aide d'un contrôleur de pression d'air, réglez la pression dans le réservoir entre 5 et 7 lb/po² (de 0,34 à 0,48 bar).
6. Remplacez le bouchon noir.
7. Ouvrez l'arrivée d'eau jusqu'en butée. Laissez le système fonctionner pendant une (1) à trois (3) heures pour remplir le réservoir. Un réservoir plein pèse environ 29,4 lb (10,2 kg). Si le rendement ne s'est pas amélioré, communiquez avec le soutien technique.

Retour soudain du goût et de l'odeur

Si, peu après une révision complète, le goût et les odeurs reviennent, communiquez avec le soutien technique.

Si vous éprouvez un problème qui n'est pas mentionné dans le présent manuel, coupez l'alimentation en eau et fermez la vanne du réservoir. Communiquez avec le soutien technique.

DONNÉES SUR LA PERFORMANCE

IMPORTANT :

Lisez les données de performance et comparez les capacités du système à vos besoins de traitement d'eau.

Il est recommandé de faire analyser l'eau d'alimentation avant d'installer un système de traitement d'eau afin de déterminer vos besoins réels de traitement d'eau.

Ce système a été mis à l'essai en regard de la norme NSF/ANSI 58 pour la réduction des substances indiquées ci-dessous. La concentration des substances indiquées dans l'eau entrant dans le système a été réduite à une concentration inférieure ou égale à la limite autorisée pour l'eau sortant du système, conformément à la norme NSF/ANSI 58.

REMARQUES

Assurez-vous que l'installation est conforme aux lois et aux règlements d'État et municipaux.

N'utilisez pas le système avec de l'eau insalubre microbiologiquement ou de qualité inconnue sans désinfection adéquate en amont ou en aval du système.

Au Massachusetts, les installations doivent être conformes au Commonwealth of Massachusetts Plumbing Code 248 CMR. Consultez votre plombier accrédité pour l'installation du système. Le système et son installation doivent être conformes aux règlements d'État et municipaux.

Les systèmes homologués pour réduction des kystes peuvent être utilisés avec de l'eau désinfectée pouvant contenir des kystes filtrables.

Les substances pouvant être réduites ne sont pas forcément présentes dans votre eau. Le filtre doit être entretenu conformément aux directives du fabricant, y compris le remplacement des cartouches filtrantes.

L'efficacité éprouvée de ce système est de 18,11 %. L'efficacité est la mesure du pourcentage de l'eau brute pénétrant dans le système qui est fournie à l'utilisateur sous forme d'eau traitée par osmose inverse dans des conditions de service qui simulent l'usage quotidien type.

Le taux de récupération éprouvé est de 40,17 %. La récupération est la mesure du pourcentage de l'eau brute qui traverse la membrane du système et qui est fournie à l'utilisateur sous forme d'eau traitée par osmose inverse lorsque le système fonctionne sans réservoir de stockage ou que le réservoir est contourné.

Taux quotidien de production : 14,66 gal/j

Ce système a été mis à l'essai pour le traitement d'eau contenant de l'arsenic pentavalent [aussi appelé As(V), As(+5) ou arséniate] dans des concentrations de 0,30 mg/L ± 10 % ou moins. Ce système réduit l'arsenic pentavalent, mais peut ne pas éliminer d'autres formes d'arsenic. Il devrait être utilisé pour traiter de l'eau contenant des résidus détectables de chlore libre ou dont il a été démontré qu'elle contient uniquement de l'arsenic pentavalent. Le traitement à la chloramine (chlore combiné) n'est pas suffisant pour assurer la conversion complète de l'arsenic trivalent en arsenic pentavalent. Pour de plus amples renseignements, veuillez consulter la section Faits sur l'arsenic de la fiche signalétique de l'arsenic.

AVERTISSEMENT RELATIF À LA PROPOSITION 65 DE CALIFORNIE

WARNING: ⚠ AVERTISSEMENT: Ce produit contient des produits chimiques considérés par l'État de Californie comme pouvant causer des cancers, des malformations congénitales et d'autres troubles du système reproducteur.

Substance	Concentration infiltrante	Concentration maximale admissible dans l'eau filtrée	Exigences de réduction	Réduction moyenne
Norme 58				
Arsenic pentavalent	0,30 mg/L ± 10 %	0,010 mg/L		97,6 %
Baryum	10,0 mg/L ± 10 %	0,010 mg/L		96,6 %
Cadmium	0,03 mg/L ± 10 %	0,005 mg/L		98,7 %
Chrome trivalent	0,3 mg/L ± 10 %	0,1 mg/L		98,5 %
Chrome hexavalent	0,3 mg/L ± 10 %	0,1 mg/L		96,4 %
Cuivre	3,0 mg/L ± 10 %	1,3 mg/L		99,3 %
Kystes*	Minimum de 50 000/mL		99,95 %	99,99 %
Fluorure	8,0 mg/L ± 10 %	1,5 mg/L		94,5 %
Plomb	0,15 mg/L ± 10 %	0,01 mg/L		99 %
Radium 226/228	25 pCi/L ± 10 %	5 pCi/L		80 %
Sélénium	0,10 mg/L ± 10 %	0,05 mg/L		97,3 %
Matières dissoutes totales	750 mg/L ± 40 mg/L	187 mg/L		95,2 %
Turbidité	11 uTN ± 1 uTN	0,5 uTN		99,1 %

Taux quotidien de production : 14,66 gal/j

Fiche signalétique de l'arsenic

L'arsenic (As) est naturellement présent dans l'eau de certains puits. L'arsenic qui se trouve dans l'eau est incolore, inodore et insipide. Il est mesuré par des analyses de laboratoire. Les services d'approvisionnement en eau doivent demander des analyses afin de déceler la présence d'arsenic. Vous pouvez obtenir les résultats de ces analyses auprès de votre service public. Si vous avez votre propre puits, vous pouvez faire analyser son eau. Le service de santé de votre localité ou l'agence environnementale de votre province peuvent fournir une liste des laboratoires agréés. Il existe deux formes d'arsenic : l'arsenic pentavalent [aussi appelé As(V), As(+5) ou arséniate] et l'arsenic trivalent [aussi appelé As(III), As(+3) ou arsénite]. Dans l'eau de puits, l'arsenic peut être pentavalent, trivalent ou une combinaison des deux. Il faut utiliser des méthodes d'échantillonnage spéciales pour que le laboratoire soit en mesure de déterminer le type d'arsenic et la quantité de chaque type d'arsenic présente dans l'eau. Communiquez avec les laboratoires de votre localité afin de savoir s'ils fournissent ces services. Les systèmes de traitement de l'eau à osmose inverse (OI) ne filtrent pas efficacement l'arsenic trivalent de l'eau. Les systèmes OI sont toutefois très efficaces pour éliminer l'arsenic pentavalent. Le chlore libre résiduel convertira rapidement l'arsenic trivalent en arsenic pentavalent. D'autres produits chimiques utilisés pour le traitement de l'eau, comme l'ozone et le permanganate de potassium, transformeront également l'arsenic trivalent en arsenic pentavalent. Le chlore combiné, ou chloramine, peut ne pas convertir tout l'arsenic trivalent. Si vous tirez votre eau d'un réseau d'approvisionnement public, vous pouvez demander au service public si du chlore libre ou du chlore combiné est utilisé dans le réseau. Le système est conçu pour éliminer l'arsenic pentavalent. Il ne convertit pas l'arsenic trivalent en arsenic pentavalent. Le système a été mis à l'essai en laboratoire. Dans ces conditions, le système a fait passer les concentrations d'arsenic pentavalent de 0,30 mg/L (ppm) à 0,010 mg/L (ppm), soit la norme de l'EPA pour l'eau potable, ou moins. La performance de votre système peut être différente. Faites analyser l'eau traitée pour déceler la présence d'arsenic et vérifier si le système fonctionne correctement. Vous devez remplacer l'élément d'osmose inverse du système tous les 12 à 24 mois afin de vous assurer que le système continue à éliminer l'arsenic pentavalent. Le manuel d'installation et d'utilisation renferme une liste des composants et indique à quel endroit vous pouvez vous les procurer.



Système mis à l'essai et homologué par NSF International en regard des normes NSF/ANSI 58 et CSA B483.1 pour la réduction des substances indiquées dans la fiche technique du produit.

* NSF / ANSI Standard 58 certifié pour réduire les kystes tels que *Cryptosporidium* et *Giardia* par des moyens mécaniques.

No d'établissement de l'EPA 002623-IL-002

For Everpure[®] Product Warranties visit: }
Everpure para las garantías de los productos visite: } www.everpure.com
Pour Everpure garanties produit visitez le site : }



13845 BISHOPS DR., SUITE 200, BROOKFIELD, WI 53005
EVERPURE.COM | CUSTOMER CARE: 800.279.9404 | tech-support@pentair.com
©2017 Pentair Residential Filtration, LLC. All rights reserved.

[§]For a detailed list of where Pentair trademarks are registered, please visit waterpurification.pentair.com/brands.
Pentair trademarks and logos are owned by Pentair plc or its affiliates.

Third party registered and unregistered trademarks and logos are the property of their respective owners.
EV314989 REV A 0C17