



EVERPURE® HIGH FLOW CSR FILTER SYSTEMS



Figure 1 Twin



Figure 2 Triple



Figure 3 Quad



Figure 4 Quad Plus

SELECT A MOUNTING LOCATION

1. Give consideration to the weight of the unit when operating (filled with water). Operating weights of Everpure High Flow CSR Systems are:
 - Twin System - 45 lbs [20.4 kg]
 - Triple System - 47 lbs [21.3 kg]
 - Quad System - 49 lbs [22.2 kg]
 - Quad Plus System - 49 lbs [25.2 kg] + separate surge/storage tank @ 60 lbs [27.2 kg]
2. The location should allow for (See Figures 1-8):
 - Minimum clearance of 2-1/2" (6.4 cm) under the cartridge(s) so it can be lowered for removal and replacement.
 - Adequate space for "in" and "out" water line connections. Be near a drain for flushing and near a 110V outlet if the optional Everguard™ Low Pressure Alarm is used.
 - Additional mounting and floor space for the separate Everpure SR-X Feeder and surge/storage tank (Quad Plus).

INSTALLATION

1. Use the predrilled mounting holes in the manifold bracket as guides. Mark and drill anchor holes. Mount securely. See Figures 5-8.
2. Shut off power to equipment. If system is an Everpure High Flow CSR Quad Plus (separate Everpure SR-X Feeder and surge/storage tank), proceed to step 4.
3. Connect outlet ports of High Flow system to equipment served per the instructions below. Always use NSF approved pipe dope or plumber tape at all connections. Use a backup wrench on all fittings while connecting to avoid stress on the system components.
 - The cross fitting before the SR-X Feeder has a threaded outlet on top. Connect a minimum 1/2" I.D. line from this outlet to fountain beverage equipment.
 - The cross fitting has a flushing valve installed on the bottom. Connect tubing to the flushing valve and run to drain.
4. For Everpure High Flow CSR Quad Plus System, connect outlet to equipment served per the instructions below. Always use a NSF approved pipe dope or plumber tape at all connections. Use a backup wrench on all fittings while connecting to avoid stress on the system components.
 - Connect the outlet of the SR-X Feeder to the ice machine make-up water (not condenser water) line and coffee brewing equipment. Proceed to step 5.
 - Locate and mount the separate SR-X Feeder between the High Flow CSR system and the ice machine. Make-up water (not condenser water) line and coffee brewing equipment.
 - A tee fitting is located in the system header before the surge tank isolation and flushing valve. Using minimum 1/2" I.D. line, connect the outlet of this tee to the fountain beverage and remote SR-X Feeder line.

IMPORTANT: Install a tee in this service water line to separate the fountain water feed from the ice machine/coffee brewer water feed. In Massachusetts, a backflow preventer is required for this installation.

NOTE: Some municipal plumbing codes and good sanitary practices require an air gap at the drain termination point.

- Connect one branch of the service water tee to the fountain beverage equipment. Connect the other branch of the tee to the inlet of the SR-X Feeder. Connect the outlet of the SR-X Feeder to the ice machine make-up water (not condenser water) line and coffee brewing equipment.
- The surge tank isolation and flushing valve is located at the end of the system header. Using fittings and hose provided, connect one branch of the valve to the surge/storage tank. Connect a hose from the other (flushing) branch and run to drain.

NOTE: Some municipal plumbing codes and good sanitary practices require an air gap at the drain termination point.

5. The surge/storage tank is pre-pressurized to 20 psi (1.4 bar). Check pressure and adjust as necessary.
6. Install a manual shut-off valve leading to the system for servicing and connect minimum 1/2" I.D. (3/4" for quad) water line to the system inlet.
7. The optional Everguard™ Low Pressure Alarm (LPA) consists of a pressure switch, audible/visual alarm box and a power adapter. It is designed to detect a fixed low pressure, approx. 20 psi (1.4 bar), condition as an indication of loss of system outlet pressure either due to an intentional shut-down or excess fouling of the water filters, thus indicating the need for filter cartridge change-out. If the system is equipped with the LPA, follow these steps:
 - Determine location of a convenient 110 VAC outlet to plug in the LPA power adapter.
 - Remove the protective rubber cap from the pressure switch installed in the system header assembly. Insert the wires from the LPA unit through the cap and connect them to the terminals on the pressure switch. Either wire can be connected to either terminal. Replace the cap.
 - Plug the LPA power adapter into an outlet. The audible alarm should activate. Push the reset switch to silence.
 - Unplug the LPA unit.

8. Shut off the system inlet valve located on the inlet of the prefilter head.
9. Check to be sure the o-ring on the prefilter housing is sufficiently lubricated. Use a good grade of silicone lubricant, if needed. Position the Everpure EC210 prefilter cartridge on guide seat in the bottom of the bowl. Then thread the bowl into the head by hand. Use a sump wrench to snug the bowl onto the head.
10. Install only genuine Everpure carbon filter cartridge(s) into the filter head(s) following directions on the cartridge label or as shown in the Cartridge Change illustrations. Install the Everpure® SS-10 Scale Inhibitor cartridge into the Everpure SR-X housing.
11. Turn on inlet water to the filter system and check for leaks.
12. Open the flushing valve and flush the cartridge(s) by running water through at full force for five (5) minutes. This will set the filtering media and purge any air and fines, insuring maximum filter life. See illustrations.
13. After flushing, close the flushing valve, turn on power to equipment and plug the LPA (if so equipped) into the electrical outlet. The system is ready for operation.

Check for compliance with state and local laws and regulations. Do not use with water that is microbiologically unsafe or of unknown quality without adequate disinfection before or after the system. Systems certified for cyst reduction may be used on disinfected waters that may contain filterable cysts.

For installations in Massachusetts, the Commonwealth of Massachusetts Plumbing Code 248 CMR shall be adhered to. Consult your licensed plumber for installation of the system. This system and its installation must comply with state and local regulations.

DIMENSIONS

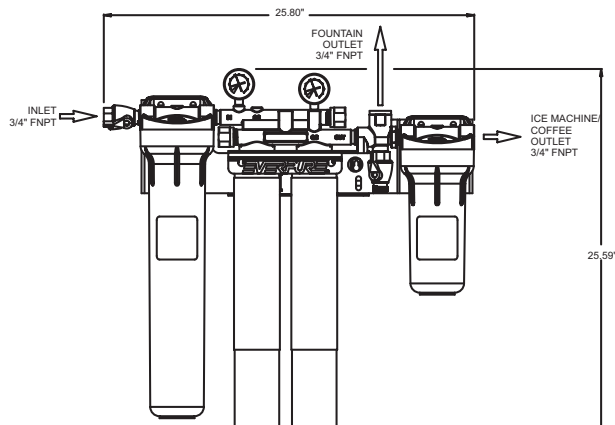


Figure 5 Twin

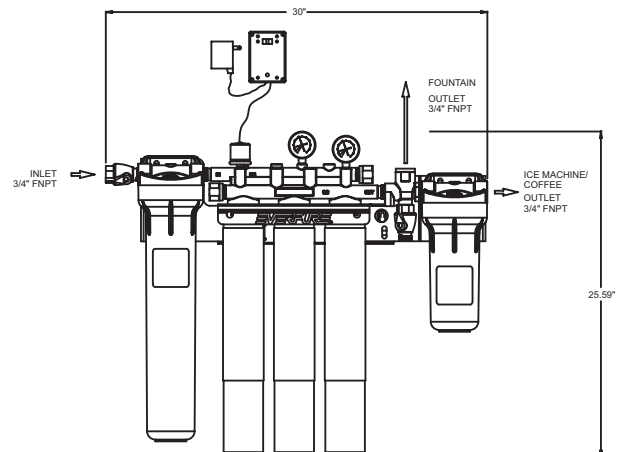


Figure 6 Triple

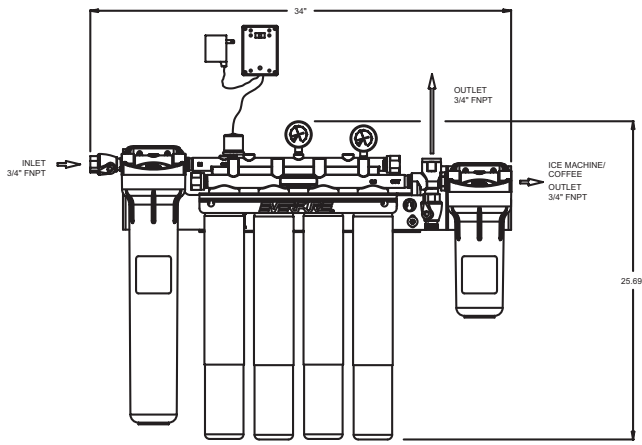


Figure 7 Quad

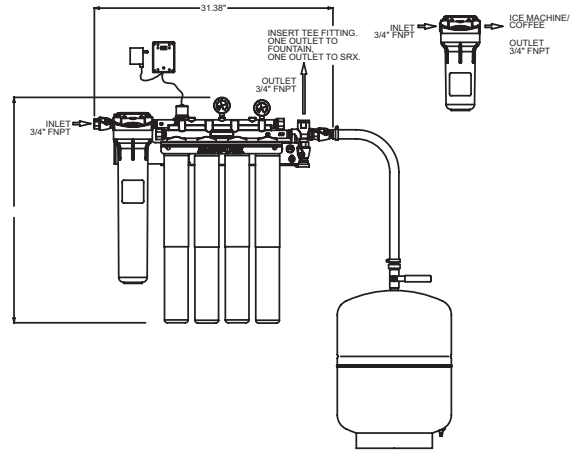


Figure 8 Quad Plus

CARTRIDGE CHANGE DETERMINATION

- Replace the prefilter cartridge whenever it becomes excessively dirty (observed visually or by flow restriction). Follow the change instructions provided with the cartridge.
- Replace carbon filter cartridges when capacity is reached or when flow becomes inadequate, but at least annually. All carbon filter cartridges on multiple cartridge systems should be changed at the same time. Change the Everpure SS-10 cartridge when product level in the cartridge drops below 1/2" from the bottom of the bowl.
- The system pressure gauge or optional Everguard Low Pressure Alarm (LPA) provides a quick, simple means of determining when the filter cartridge(s) should be checked. Installed on the system outlet manifold, the gauge or LPA can be used to monitor both dynamic (flowing) and static (line) pressure.
- The cartridge(s) should be changed when the pressure gauge is in the red area while equipment is in operation, and yet the needle shows adequate line pressure between cycles.
- Observe the needle during the next equipment on cycle. If the needle registers adequate pressure, it can be assumed that the temporary low-pressure condition was caused by a brief power failure or other incoming pressure disruption.
- If the low pressure condition is not due to an external condition, check/change the prefilter first. If the low pressure condition is still not corrected, change the carbon filter cartridges.

FLUSHING

For maximum life, all carbon filter cartridges must be flushed for five (5) minutes at full flow before use.

ALL NEW CARTRIDGES MUST BE FLUSHED AFTER EACH CARTRIDGE CHANGE BEFORE BEING PUT INTO SERVICE!

If the cartridges are new, have been properly flushed and both needle and follower register inadequate pressure, or the LPA is sounding, you may be experiencing inadequate water pressure or some restriction may exist in the inlet water line. In either case, the incoming water pressure must be improved to receive optimum filter life.

COMPLETE CARTRIDGE CHANGE INSTRUCTIONS CAN BE FOUND ON THE FILTER CARTRIDGE LABEL.

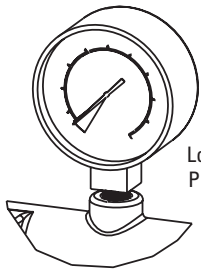
Not for residential use. For food service applications only.

REPLACEMENT PARTS

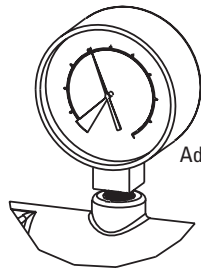
Contact your local Pentair® Everpure® dealer for filter cartridges or system replacement parts.

DESCRIPTION	PART NUMBER
Inlet/Outlet Pressure Gauge	EV3114-09
Inlet/Flushing Valve	EV3114-07
O-ring for Prefilter or SR-X	EV3112-40
Prefilter Bowl	EV3112-38
SR-X Bowl	EV3112-39
LPA Pressure Switch	EV3016-41
Wrench	EV3112-41

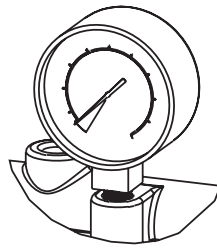
PRESSURE GAUGES



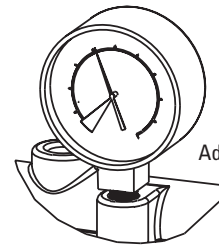
Low Inlet Pressure



Adequate Inlet Pressure



Low Outlet Pressure



Adequate Outlet Pressure

CARTRIDGE CHANGE PROCEDURE

E-Series Prefilter Cartridge Change

1. Shut off power to equipment. Shut off inlet water ahead of system.

2. Push red relief valve. Unscrew bowl. Remove prefilter cartridge.

3. Clean bowl with filtered water only. NO SPECIAL CLEANERS.
4. Feel head o-ring. If dry, lubricate with high quality silicone lubricant.

5. Install new prefilter cartridge in bowl. Hand tighten bowl onto head.

6. Turn on water. Turn on power to equipment.

Everpure Carbon Filter Cartridge Change

1. Shut off power to equipment. Shut off inlet water ahead of system.

2. Open flushing valve to relieve pressure.
3. Hold head firmly and push upward. Turn cartridge to left until it stops.

4. Pull cartridge downward and out of head.
5. Hold head firmly. Align cartridge lug with label. Insert new cartridge firmly into head.

6. Turn cartridge right 90° until rotation stops.
7. Repeat steps 3-6 for remaining cartridges.

Flushing

8. With flushing valve fully open, open inlet water at full force for five minutes. Close flushing valve.
9. Turn on power to equipment

SR-X Feeder Cartridge Change

1. Shut off power to equipment. Shut off inlet water ahead of system.

2. Press red pressure relief button on head.
3. Unscrew bowl.

4. Remove old cartridge.
5. Feel bowl o-ring; if dry, lubricate with silicone lubricant.

6. Install new SS-10 cartridge into head.
7. Hand tighten bowl into head.

8. Turn on water.
9. Press red pressure relief button until water comes out of valve port.
10. Turn on power to equipment.

OPERATING SPECIFICATIONS*

COMBINED MODEL NAME	REPLACEMENT CARTRIDGE	FLOW RATE		CAPACITY	
		GPM	LPM	GALLONS	LITRES
High Flow CSR Twin - MC	MC	3.3	12.5	18,000	68,000
High Flow CSR Twin - MC ²	MC ²	3.3	12.5	18,000	68,000
High Flow CSR Twin - XC	XC	3.3	12.5	18,000	68,000
High Flow CSR Twin - XC ²	XC ²	3.3	12.5	18,000	68,000
High Flow CSR Twin - 4CB5	4CB5	3.3	12.5	12,000	45,400
High Flow CSR Twin - 7CB5	7CB5	5.0	18.9	20,000	75,700
High Flow CSR Triple - MC	MC	5.0	18.9	27,000	102,000
High Flow CSR Triple - MC ²	MC ²	5.0	18.9	27,000	102,000
High Flow CSR Triple - XC	XC	5.0	18.9	36,000	136,000
High Flow CSR Triple - XC ²	XC ²	5.0	18.9	36,000	136,000
High Flow CSR Triple - 4CB5	4CB5	5.0	18.9	18,000	68,000
High Flow CSR Triple - 7CB5	7CB5	7.5	28.5	30,000	113,550
High Flow CSR Quad - MC	MC	6.6	25.2	36,000	136,000
High Flow CSR Quad - MC ²	MC ²	6.6	25.2	36,000	136,000
High Flow CSR Quad Plus - XC	XC	6.6	25.2	48,000	181,600
High Flow CSR Quad Plus - XC ²	XC ²	6.6	25.2	48,000	181,600

* For individual cartridge specifications, refer to cartridge literature.

Temperature:

35 - 100°F (2 - 38°C)

Pressure:

10 - 125 psi (0.7 - 8.6 bar), non-shock

For cold water use only.



System Tested and Certified by NSF International against NSF/ANSI Standard 42 and 53 for the reduction of:	
Standard No. 42 — Aesthetic Effects	Standard No. 53 — Health Effects
Bacteriostatic Effects (MC ² and XC ² only)	Mechanical Filtration Cyst (MC, MC ² , XC, XC ² only)
Chemical Reduction Taste and Odor Chlorine	Asbestos (MC, MC ² only)
Mechanical Filtration Nominal Particulate Class I	

The term 'bacteriostatic' indicates that the system limits the passage or growth of bacteria that may already exist in the incoming water. It does not mean that the water leaving the system is safer to drink than the water entering the system.

LIMITED WARRANTY

COMMERCIAL WATER TREATMENT EQUIPMENT

You have just purchased one of the finest water treatment units made. As an expression of confidence in this product, Pentair Filtration Solutions, LLC ("PFS") offers the following product warranty. This product is warranted against material defects in materials and workmanship to the original end-user when installed in accordance with the PFS specifications. The warranty period commences on the date of purchase and is administered as follows:

For a period of ONE YEAR

Replaceable elements (i.e., filter & water treatment cartridges)*

For a period of FIVE YEARS

The entire system (excluding replaceable elements)

The unit must be used in operating conditions that conform to PFS's recommended guidelines. This warranty will not apply if the unit has been modified, repaired or altered by someone not authorized by PFS.

If a part described above is found to have a material defect in materials or workmanship within the specified warranty period, you should notify Pentair® Everpure technical service at the phone number listed below. Any part found materially defective within the terms of this warranty will be repaired or replaced (at PFS's discretion) by your local dealer or Pentair Everpure technical service. You pay only freight from our factory and local dealer charges. Any item repaired or replaced pursuant to this warranty will be covered under the original warranty terms of the system.

PFS is not responsible for damage caused by accident, fire, flood, freezing, Act of God, misuse, misapplication, neglect, oxidizing agents (such as chlorine, ozone, chloramines and other related components), alteration, installation or operation contrary to our printed instructions, or by the use of accessories or components which do not meet PFS's specifications. Refer to the specifications section in the Installation and Operating manual for approved application parameters.

Our product performance specifications are furnished with each water treatment unit. TO THE EXTENT PERMITTED BY LAW, EVERPURE DISCLAIMS ALL IMPLIED WARRANTIES, INCLUDING WITHOUT LIMITATION WARRANTIES OF MERCHANTABILITY AND FITNESS FOR PARTICULAR PURPOSE; TO THE EXTENT REQUIRED BY LAW, ANY SUCH IMPLIED WARRANTIES ARE LIMITED IN DURATION TO THE PERIOD SPECIFIED ABOVE FOR THE ENTIRE WATER TREATMENT UNIT.

As a manufacturer, we do not know the characteristics of your water supply or the purpose for which you are purchasing this product. The quality of water supplies may vary seasonally or over a period of time, and your water usage rate may vary as well. Water characteristics can also differ considerably if this product is moved to a new location. For these reasons, we assume no liability for the determination of the proper equipment necessary to meet your requirements, and we do not authorize others to assume such obligations for us. Further, we assume no liability and extend no warranties, express or implied, for the use of this product with a non-potable water source or a water source which does not meet the conditions for use described in the owner's guide or performance data sheet for this product.

OUR OBLIGATIONS UNDER THIS WARRANTY ARE LIMITED TO THE REPAIR OR REPLACEMENT (AT PFS'S DISCRETION) OF THE FAILED PARTS OF THE WATER TREATMENT UNIT, AND WE ASSUME NO LIABILITY WHATSOEVER FOR DIRECT, INDIRECT, INCIDENTAL, CONSEQUENTIAL, SPECIAL, GENERAL OR OTHER DAMAGES.

Some states do not allow the exclusion of implied warranties or limitations on how long an implied warranty lasts, so the above limitation may not apply to you. Similarly, some states do not allow the exclusion of incidental or consequential damages, so the above limitation or exclusion may not apply to you. This warranty gives you specific legal rights, and you may also have other rights which vary from state to state.

*Warranty applies to material defects in materials & workmanship only.



EPA Est. No. 002623-IL-002

FILTRATION & PROCESSING SOLUTIONS

EVERPURE-SHURFLO WORLD HEADQUARTERS, 1040 MUIRFIELD DRIVE, HANOVER PARK, IL 60133 USA • WWW.EVERPURE.COM
800.942.1153 MAIN (US ONLY) • 800.942.1153 (US ONLY) • 630.307.3000 MAIN • 630.307.3030 FAX • CSEVERPURE@PENTAIR.COM EMAIL

PENTAIR AUSTRALIA/NEW ZEALAND, 1-21 MONASH DRIVE, DANDENONG SOUTH, VIC 3175, AUSTRALIA
1300.576.190 TEL • AU.EVERPURE@PENTAIR.COM EMAIL

EVERPURE-SHURFLO CHINA, 21F CLOUD 9 PLAZA, NO 1118, SHANGHAI, 200052, CHINA
86.21.3211.4588 TEL • 86.21.3211.4580 FAX • CHINA.WATER@PENTAIR.COM EMAIL

EVERPURE-SHURFLO INDIA, GREEN BOULEVARD, B-9/A, 7TH FLOOR - TOWER B SECTOR 62, NOIDA - 201301
91.120.419.9444 TEL • 91.120.419.9400 FAX • INDIACUSTOMER@PENTAIR.COM EMAIL

EVERPURE-SHURFLO EUROPE, PENTAIR WATER BELGIUM BVBA, INDUSTRIEPARK WOLFSTEE, TOEKOMSTLAAN, 30 B-2200 HERENTALS, BELGIUM
+32.(0).14.283.500 TEL • +32.(0).14.283.505 FAX • SALES@EVERPURE-EUROPE.COM EMAIL

EVERPURE-SHURFLO JAPAN INC., HASHIMOTO MN BLDG. 7F, 3-25-1 HASHIMOTO, MIDORI-KU, SAGAMIHARA-SHI KANAGAWA 252-0143, JAPAN
81.(0)42.775.3011 TEL • 81.(0)42.775.3015 FAX • INFO@EVERPURE.CO.JP EMAIL

EVERPURE-SHURFLO SOUTHEAST ASIA, 390 HAVELOCK ROAD, #04-01, KING'S CENTRE, SINGAPORE 169662
65.6795.2213 TEL • FAX: 65.6795.2219 FAX • CSEVERPURE@PENTAIR.COM EMAIL

All Pentair trademarks and logos are owned by Pentair, Inc. or its affiliates. All other registered and unregistered trademarks and logos are the property of their respective owners. Because we are continuously improving our products and services, Pentair reserves the right to change specifications without prior notice. Pentair is an equal opportunity employer.

© 2014 Pentair Filtration Solutions, LLC. All Rights Reserved.

EV3112-78 Rev F MY14