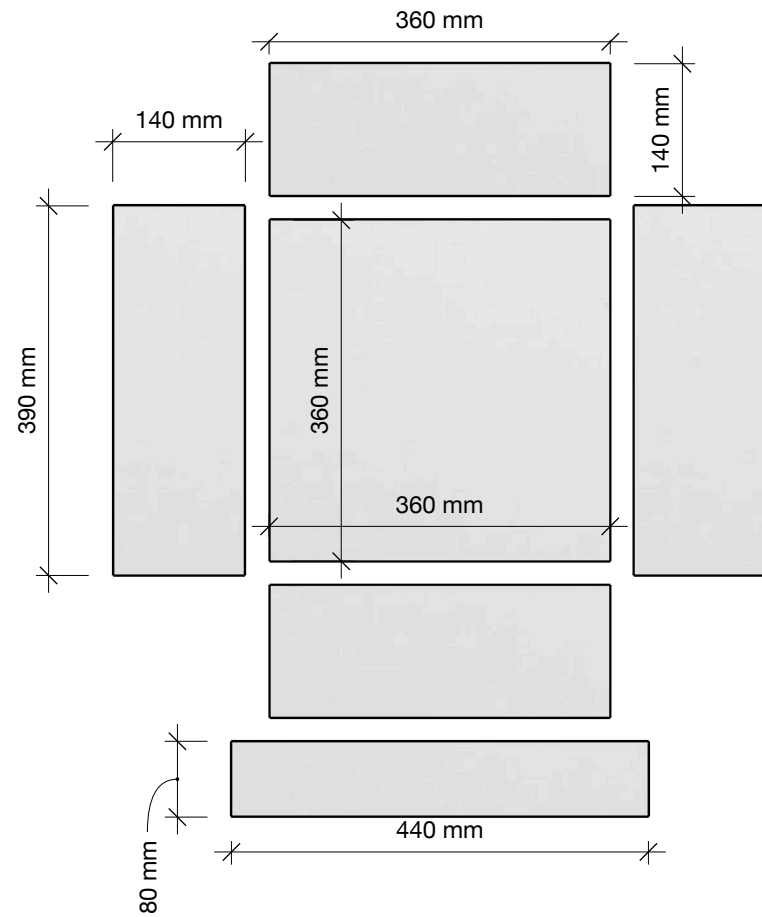


MDF shapes supplied in kit



15mm melamine board to be cut/sourced by customer
for standard 460x560x175mm concrete sink/basin

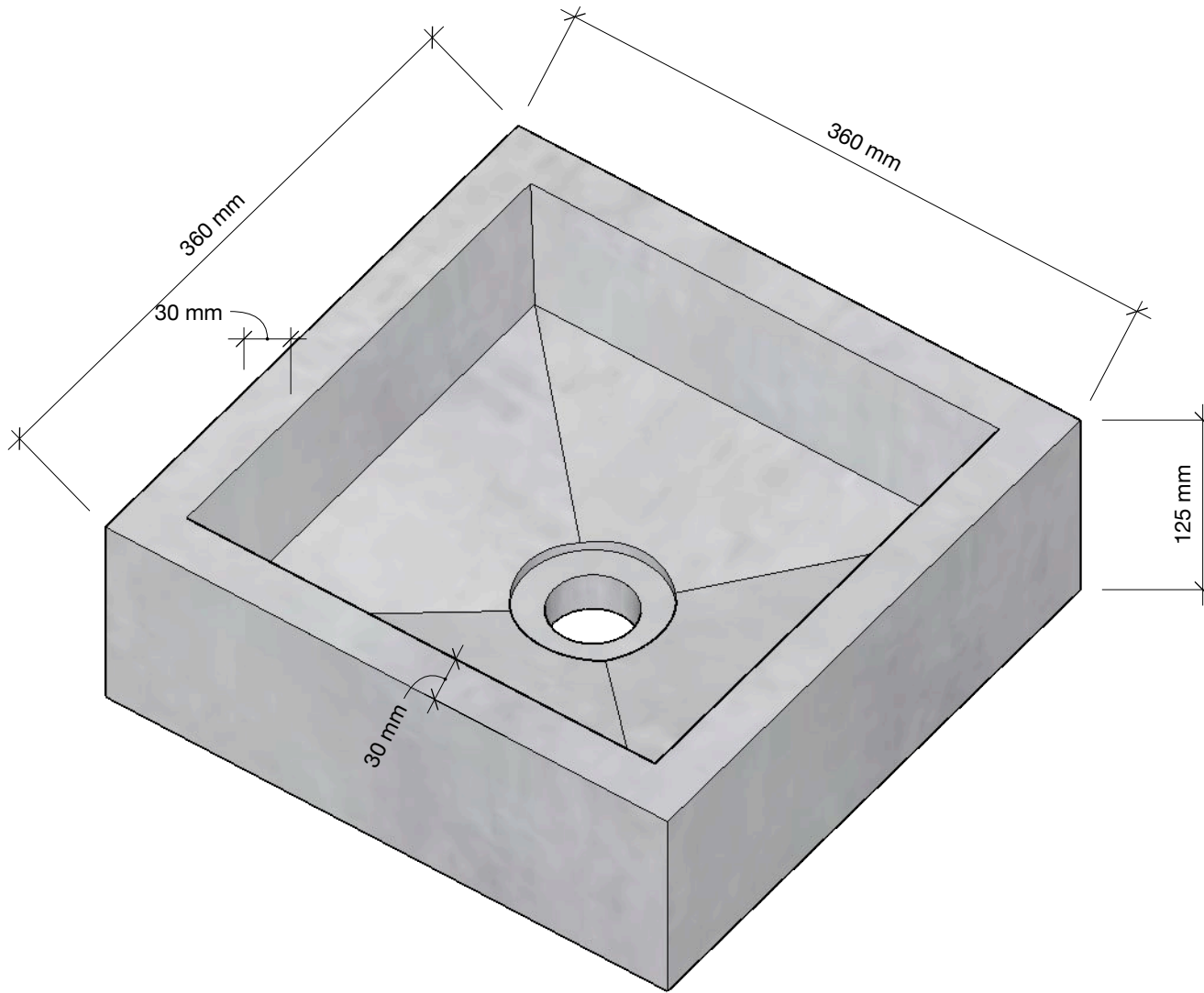
- Cutting List**
- 2no 390x140mm
 - 2no 360x140mm
 - 1no 360x360mm
 - 1no 80x440mm

Small Sink Insert Mould & Outer Parts

CONCRETE LAB.
polished concrete materials

REVISIONS		
	MM/DD/YY	REMARKS
1	--/--/--	...
2	--/--/--	...
3	--/--/--	...
4	--/--/--	...
5	--/--/--	...

A 01



Small Sink Insert Mould & Outer Parts

CONCRETE LAB.
polished concrete materials

REVISIONS

	MM/DD/YY	REMARKS
1	--/--/--	...
2	--/--/--	...
3	--/--/--	...
4	--/--/--	...
5	--/--/--	...