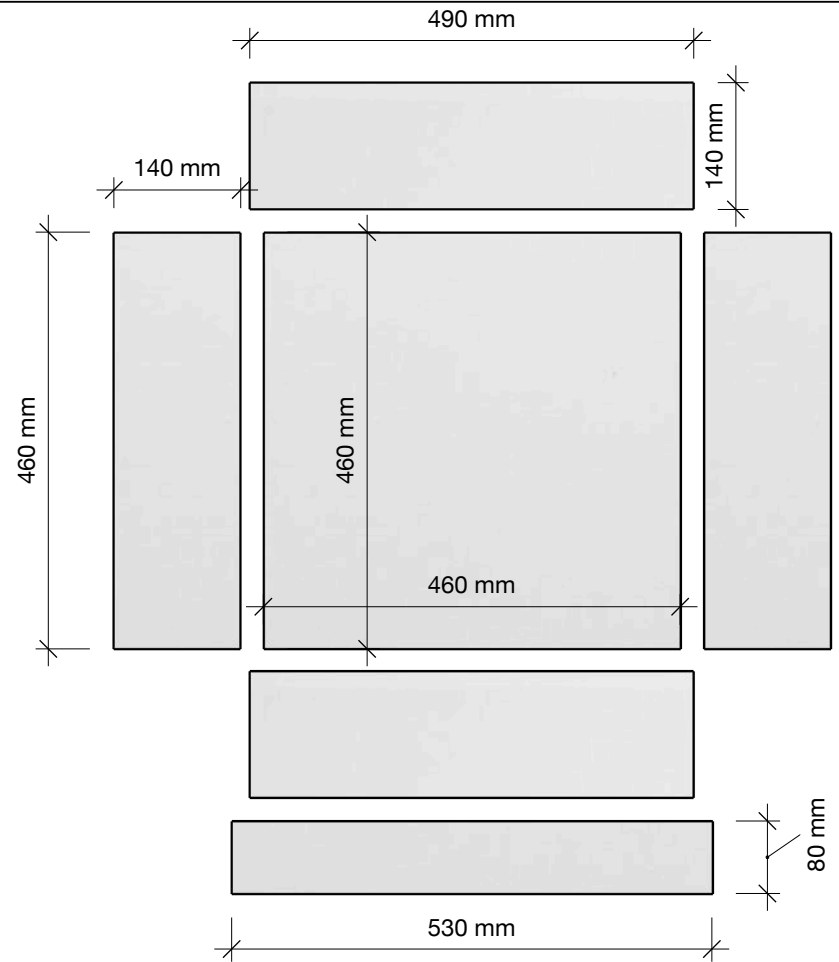


MDF shapes supplied in kit



15mm melamine board to be cut/sourced by customer for standard 460x460x125mm concrete sink/basin

- Cutting List**
- 2no 490x140mm
 - 2no 460x140mm
 - 1no 460x460mm
 - 1no 80x530mm

Medium Sink Insert Mould & Outer Parts

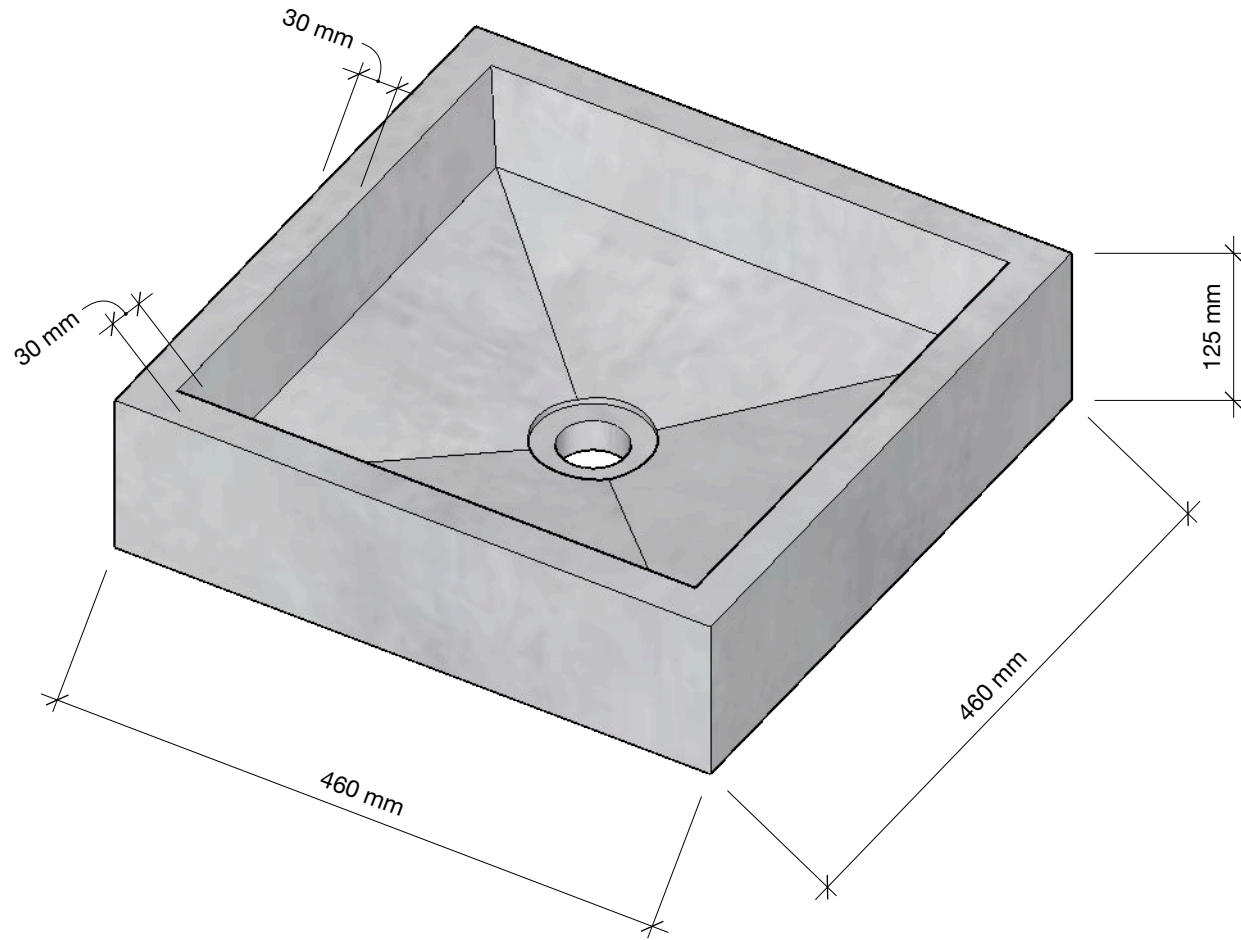
CONCRETE LAB.
polished concrete materials

REVISIONS

	MM/DD/YY	REMARKS
1	--/--/--	...
2	--/--/--	...
3	--/--/--	...
4	--/--/--	...
5	--/--/--	...

A 01

Isometric View Of Medium Square Concrete Sink With 30mm Thick Walls



Medium Sink Insert Mould & Outer Parts

CONCRETE LAB.
polished concrete materials

REVISIONS

	MM/DD/YY	REMARKS
1	--/--/--	...
2	--/--/--	...
3	--/--/--	...
4	--/--/--	...
5	--/--/--	...

A 02