

GIA NATURAL DIAMOND GRADING REPORT

May 09, 2018

GIA Report Number 2195356023

Shape and Cutting Style Round Brilliant

Measurements 8.74 - 8.87 x 5.17 mm

GRADING RESULTS

Carat Weight 2.42 carat

Color Grade E

Clarity Grade VS1

Cut Grade Good

ADDITIONAL GRADING INFORMATION

Polish Very Good

Symmetry Very Good

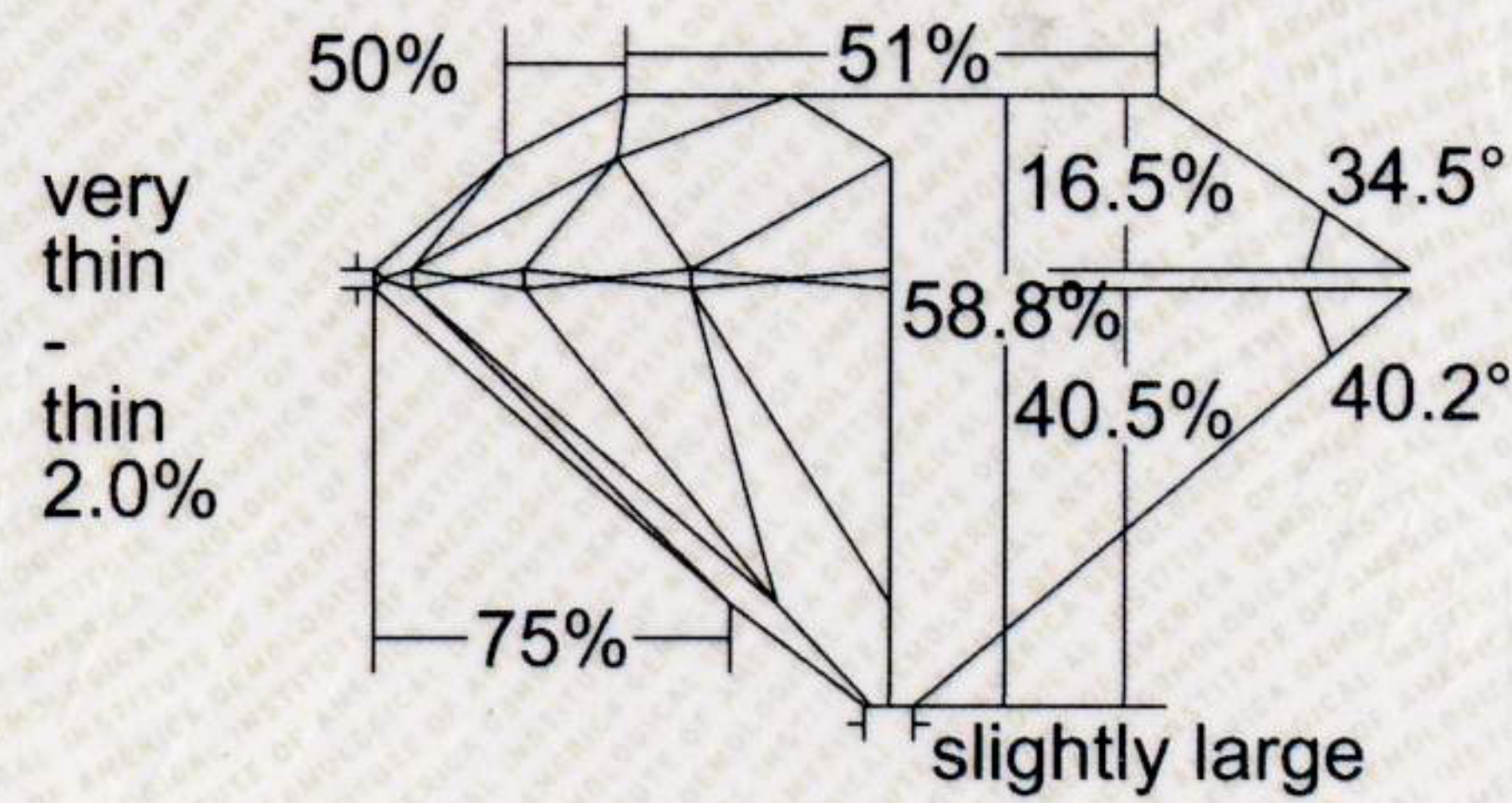
Fluorescence None

Comments: Additional clouds are not shown. Additional pinpoints are not shown.

GIA REPORT 2195356023

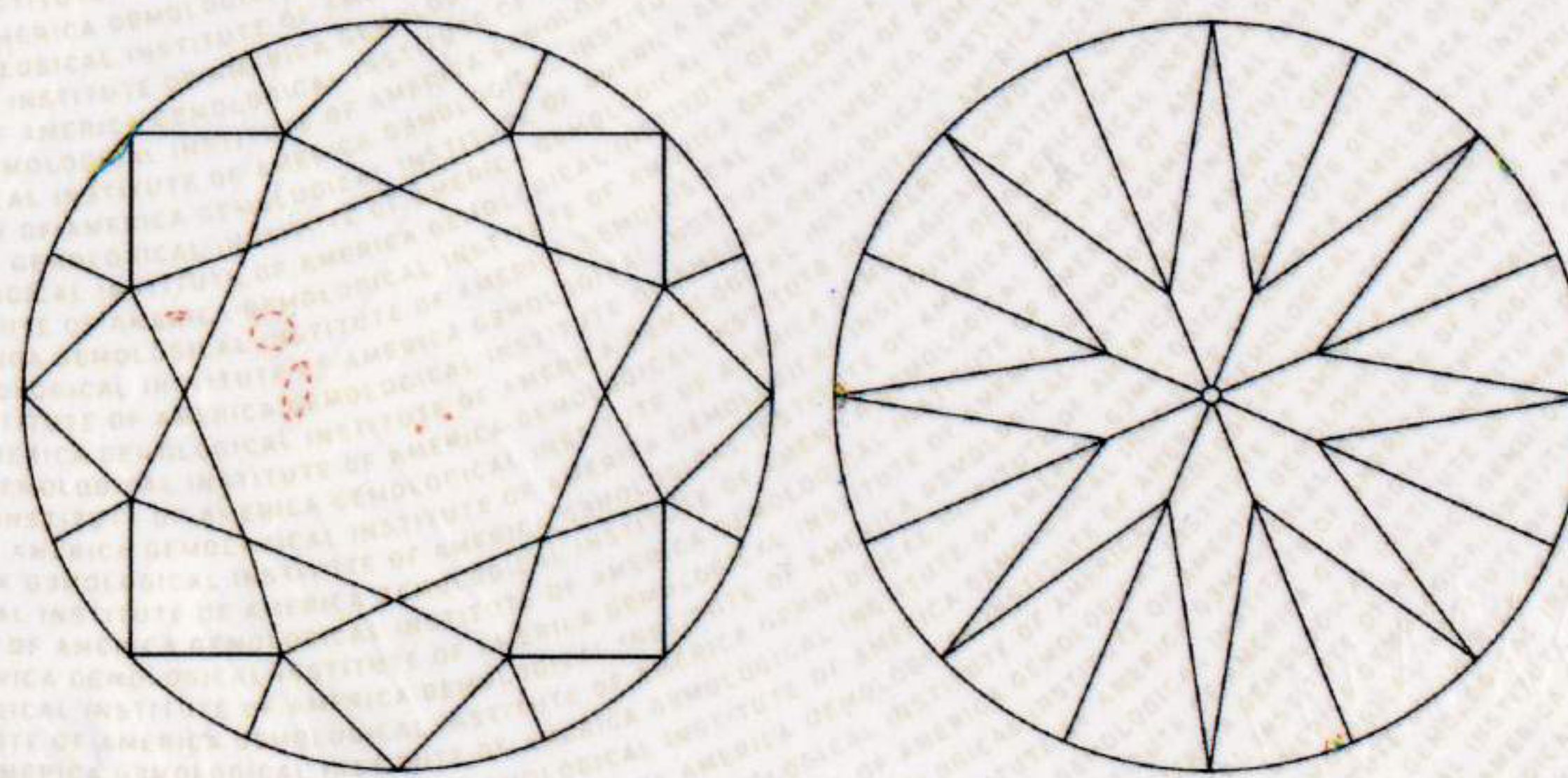
Verify this report at GIA.edu

PROPORTIONS







Profile to actual proportions

CLARITY CHARACTERISTICS



KEY TO SYMBOLS*

-  Cloud
-  Pinpoint
-  Indented Natural
-  Natural

* Red symbols denote internal characteristics (inclusions). Green or black symbols denote external characteristics (blemishes). Diagram is an approximate representation of the diamond, and symbols shown indicate type, position, and approximate size of clarity characteristics. All clarity characteristics may not be shown. Details of finish are not shown.

GRADING SCALES

GIA COLOR SCALE	GIA CLARITY SCALE	GIA CUT SCALE
D	FLAWLESS	EXCELLENT
E		
F	INTERNALLY FLAWLESS	
G		
H	VERY VERY SLIGHTLY INCLUDED	VERY GOOD
I		
J	VERY SLIGHTLY INCLUDED	GOOD
K		
L	SLIGHTLY INCLUDED	
M		
N	SLIGHTLY INCLUDED	FAIR
O		
P	INCLUDED	POOR
Q		
R	INCLUDED	
S		
T	INCLUDED	
U		
V	INCLUDED	
W		
X	INCLUDED	
Y		
Z	INCLUDED	



reportcheck.gia.edu



The results documented in this report refer only to the diamond described, and were obtained using the techniques and equipment available to GIA at the time of examination. This report is not a guarantee or valuation. For additional information and important limitations and disclaimers, please see GIA.edu/terms or call +1 800 421 7250 or +1 760 603 4500. ©2017 Gemological Institute of America, Inc.

THE SECURITY FEATURES IN THIS DOCUMENT, INCLUDING THE HOLOGRAM, SECURITY SCREEN AND MICROPRINT LINES, IN ADDITION TO THOSE NOT LISTED, EXCEED DOCUMENT SECURITY INDUSTRY GUIDELINES.