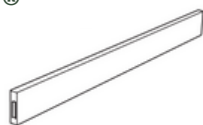


HOMEBASE[®] + HEADBOARD

ASSEMBLY INSTRUCTIONS



HOMEBASE[®] PARTS



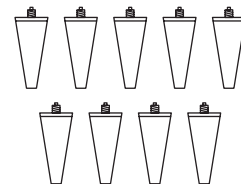
1 Center Support Beam



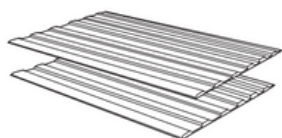
2 Shorter End Rails



2 Longer Side Rails



9 5-inch Wood Legs (optional)



2 Fabric Encased Slats

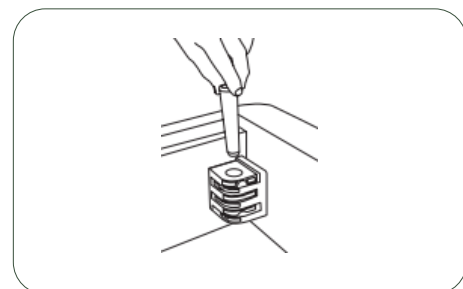
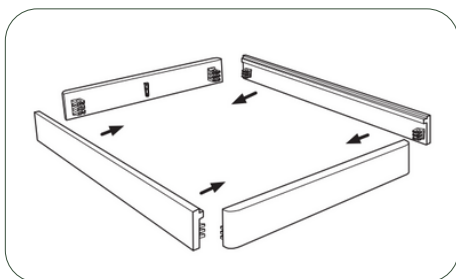


4 Black Corner Bracket Pegs

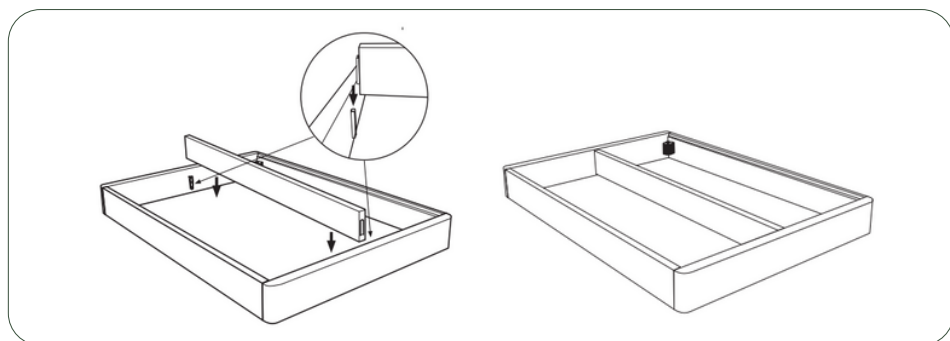


2 USB Charging Ports Kits

ASSEMBLY

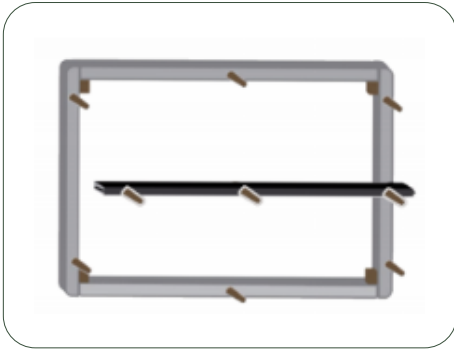


- 1 Remove all pegs from the interlocking corner brackets.
- 2 Arrange the rails so the arrows point up. Organize them so that the two longer side rails are parallel and the two shorter end rails are parallel.
- 3 Now align the joints in the four corners and push them together. Corner brackets should interlock.
- 4 Insert a peg into each of the four joints and push them down firmly, so everything is properly aligned.



- 5 Slide the black center support beam, arrow pointing up, in place. Make sure you have pushed the beam all the way down so it is level with the head and foot of the frame.

ASSEMBLY

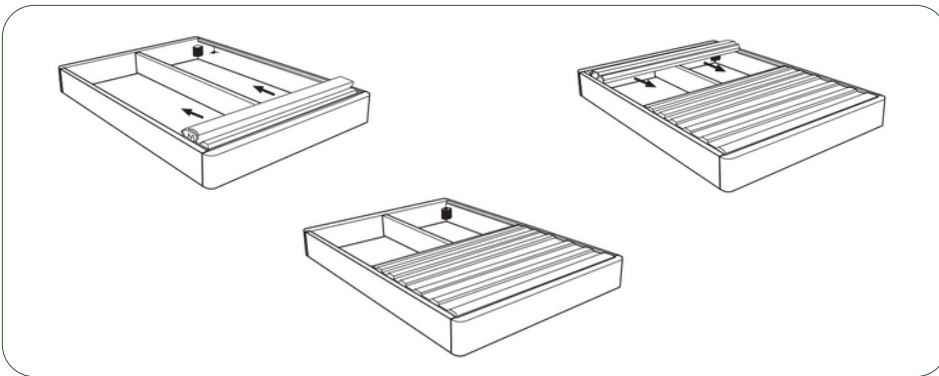


- 6** (Optional: Base can be assembled with or without legs) Screw in all 9 wood legs. And flip frame over.

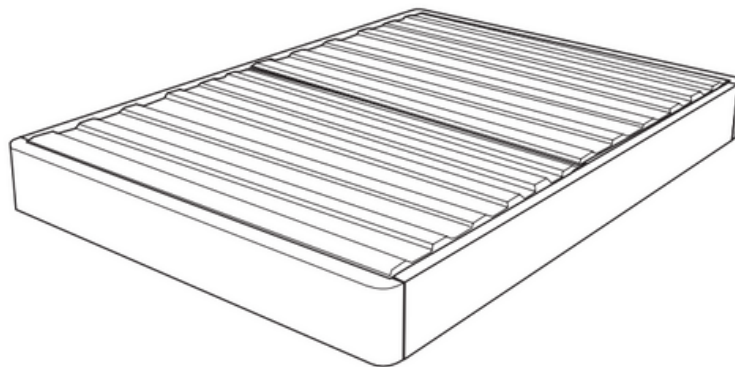


7 **USB Charging Port**

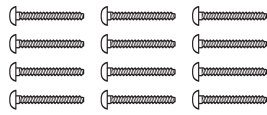
- A.** Set up USB Ports before slats are in place.
- B.** USB are already installed in side rails.
- C.** Connect them to the Y cable connector.
- D.** Then connect the Y cable connector to the Power Supply unit.
- E.** Use the wire ties to tie up excess wires.



- 8** Place one roll of support slats along an end rail. Unroll the slats towards the center of the foundation, along the support beam. Do this symmetrically with the other roll of slats, starting at the other end. Unroll towards the center so the two sets of slats meet in the middle.



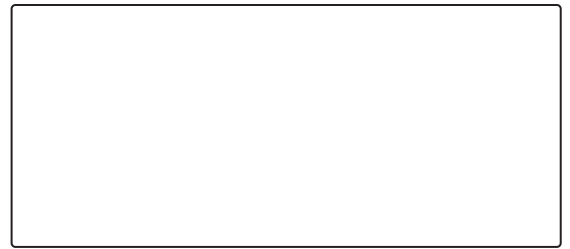
HEADBOARD PARTS



12 1½ inch Screws

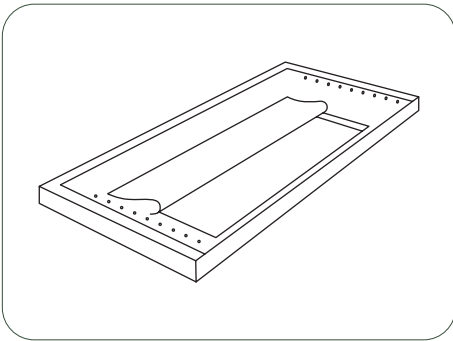


2 Legs

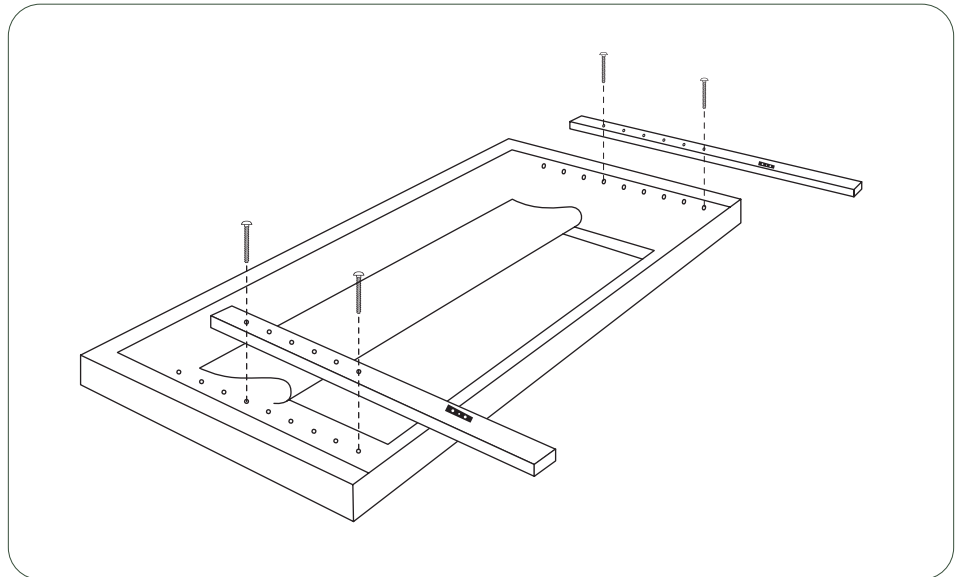


1 Headboard

ASSEMBLY

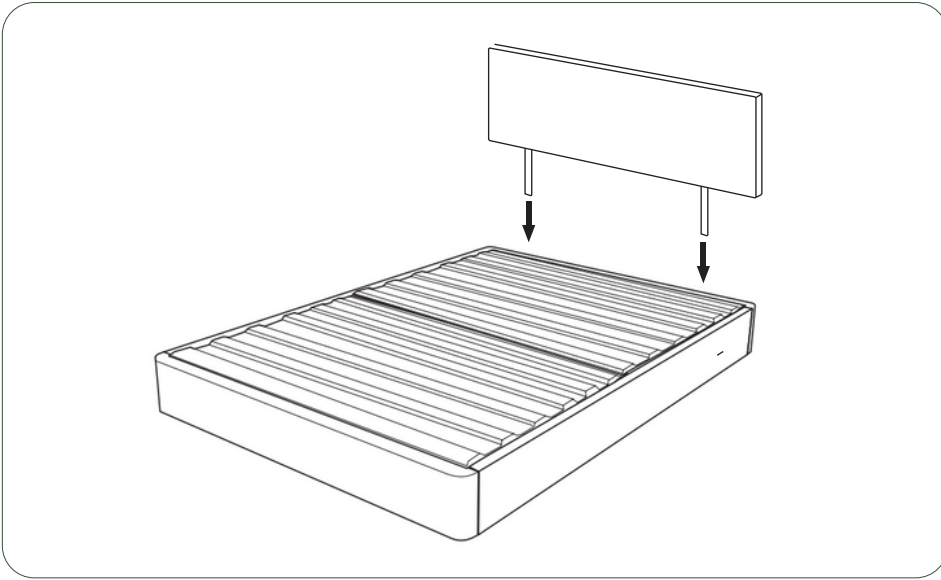


- 1 Take the headboard out of the box and lay with the back to you.

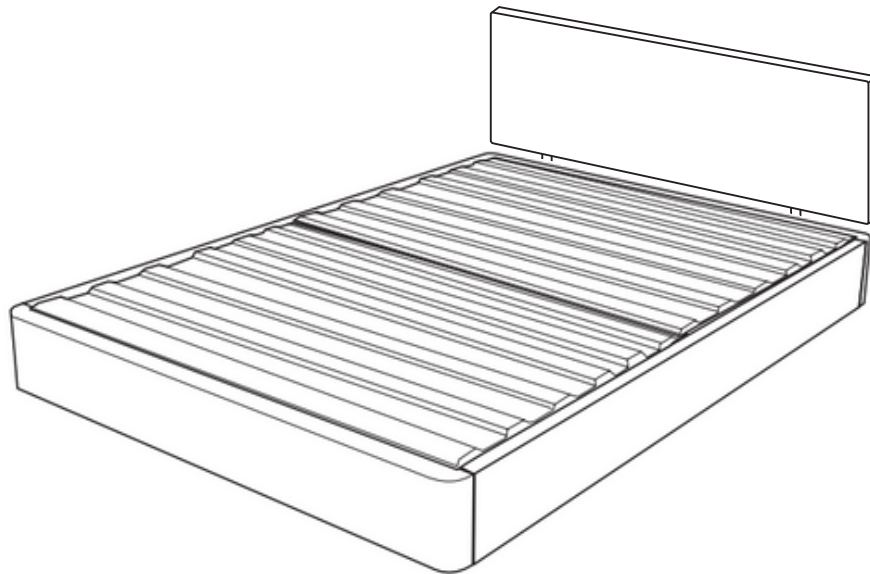


- 2 Place the two legs on the headboard with the sliding angle connector towards the frame and with the connector towards the inside. Adjust your spacing on the headboard according to your mattress height.

ASSEMBLY



- 3 With the headboard facing towards the foundation slide the connector into the receiving connector on the end rails of the foundation.



Need Assembly Assistance?

We are available via Live Chat! at [Nestbedding.com](https://www.nestbedding.com)

Call us at 1-800-992-2001

Email us at customerservice@nestbedding.com