

HOMEBASE[®]

Assembly Instructions

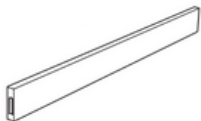


nest
bedding

Nestbedding.com

PARTS

1 Center Support Beam



2 Shorter End Rails



2 Longer Side Rails



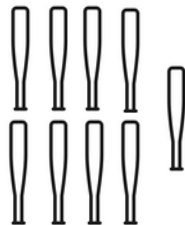
4 Black Corner Bracket Pegs



2 Fabric Encased Slates



9 5inch Wood Legs (optional)

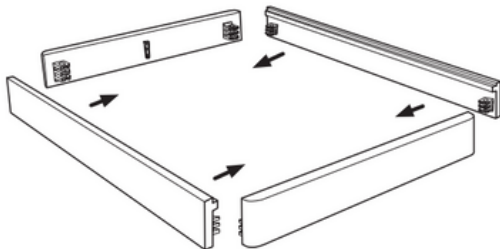


2 USB Charging Ports Kits



ASSEMBLY

- Step 1. Remove all pegs from the interlocking corner brackets.
- Step 2. Arrange the rails so the arrows point up. Organize them so that the two longer side rails are parallel and the two shorter end rails are parallel.

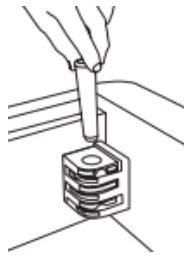


ASSEMBLY

- Step 3. Now align the joints in the four corners and push them together. Corner brackets should interlock.

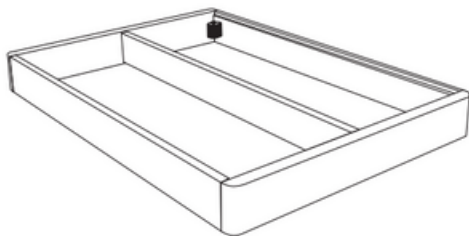
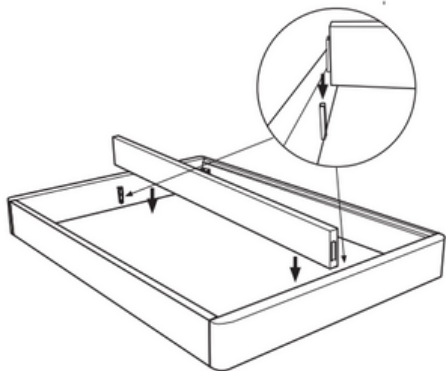


- Step 4. Insert a peg into each of the four joints and push them down firmly, so everything is properly aligned.



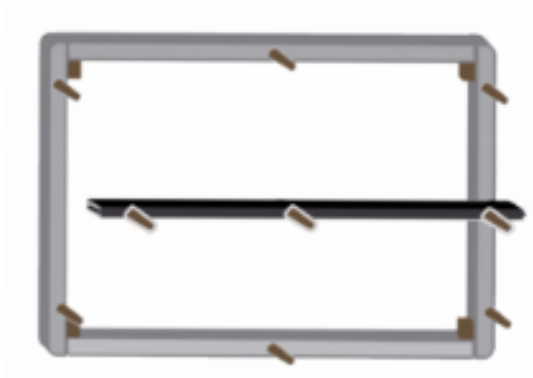
ASSEMBLY

- Step 5. Slide the black center support beam, arrow pointing up, in place. Make sure you have pushed the beam all the way down so it is level with the head and foot of the frame.



ASSEMBLY

Step 6. (Optional: Base can be assembled with or without legs)
Screw in all 9 wood legs. And Flip frame over.



A S S E M B L Y

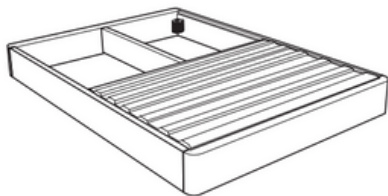
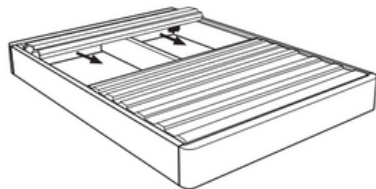
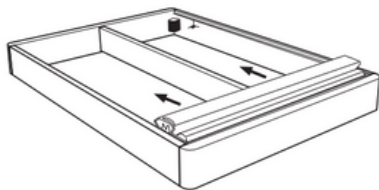
USB Charging Port Instructions

- Step 1. Set up USB Ports before slats are in place.
- Step 2. USB are already installed in side rails.
- Step 3. Connect them to the Y cable connector.
- Step 4. Then connect the Y cable connector to the Power Supply unit.
- Step 5. Use the wire ties to tie up excess wires.

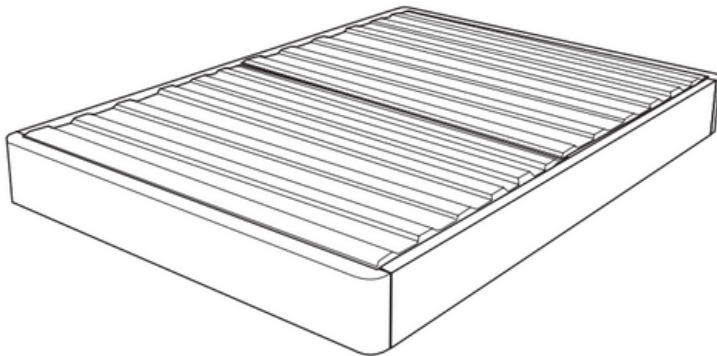


ASSEMBLY

Step 8. Place one roll of support slats along an end rail. Unroll the slats towards the center of the foundation, along the support beam. Do this symmetrically with the other roll of slats, starting at the other end. Unroll towards the center so the two sets of slats meet in the middle.



ASSEMBLY



Need Assembly Assistance?

We are available via Live Chat!
at [Nestbedding.com](https://www.nestbedding.com)

Call us at 1-800-992-2001

Email us at:
customerservice@nestbedding.com

