

2.3

Molded Case Circuit Breakers

Series C

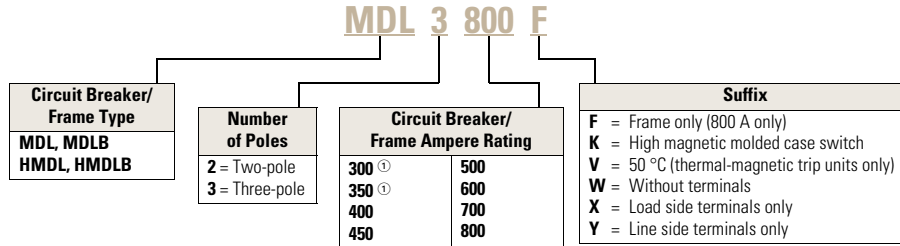
Catalog Number Selection

This information is presented only as an aid to understanding catalog numbers. It is not to be used to build catalog numbers for circuit breakers or trip units.

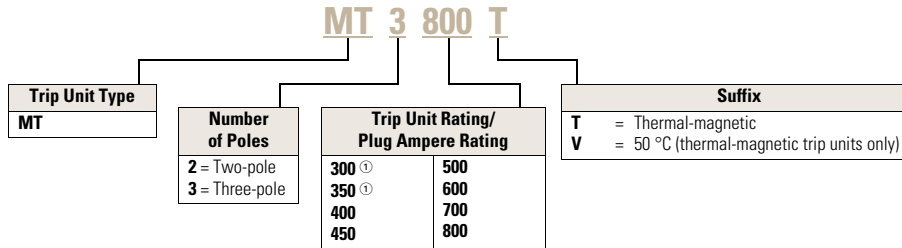
2

MDL Frame with Thermal-Magnetic Trip Unit Technology

Thermal-Magnetic Breakers and Frame ①

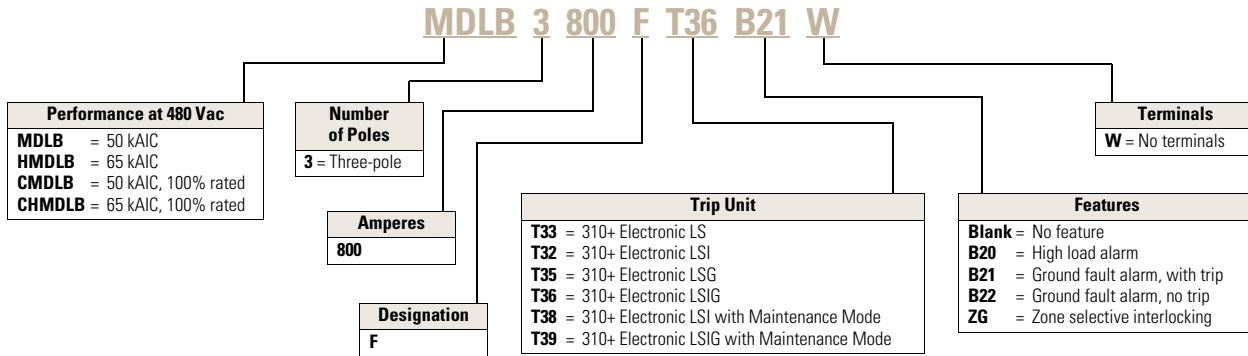


Thermal-Magnetic Trip Unit ①

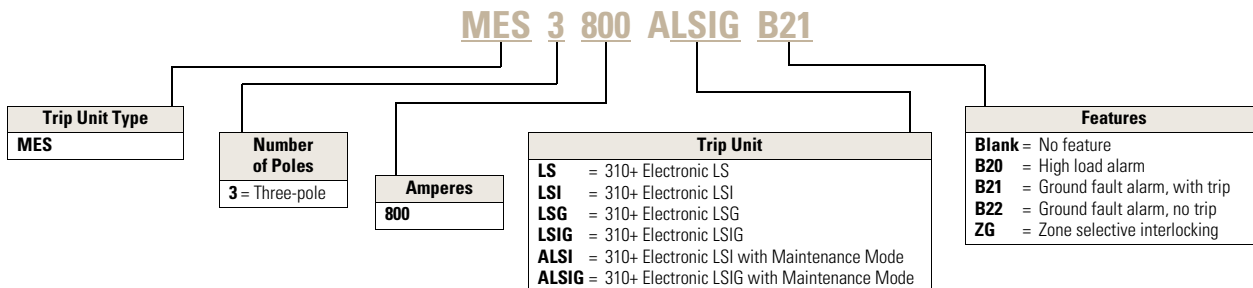


MDL Frame with 310+ Electronic Trip Unit Technology

310+ Circuit Breaker



310+ Electronic Trip Unit ①



Note

① Frames are the same for thermal-magnetic or 310+ electronic trip units, e.g., MDL3800F, HMDL3800F, etc.

Types MDL and HMDL Electronic Circuit Breakers with Interchangeable Trip Units

Order as Individual Components: breaker frame, trip unit and terminals.
See 310+ adjustability specifications on **Page V4-T2-220**.

Types MDL and HMDL Electronic Circuit Breakers with Interchangeable 310+ Trip Units—Three-Pole

| Maximum Continuous Ampere Rating at 40 °C | Circuit Breaker Frame Only | | Digitrip RMS 310+ Trip Unit Only ① | | | | Neutral CT for LSG and LSI ^{②③} | Terminal Information |
|---|---|---|---|--|--|--|--|----------------------|
| | Standard Interrupting Capacity 600 Vac Rated 50 kAIC at 480 Vac | High Interrupting Capacity 600 Vac Rated 65 kAIC at 480 Vac | Standard LS | Optional LSI | LSG | LSIG | | |
| | | | Adjustable Short Time Pickup with I ² t Short Delay Ramp | Independently Adjustable Short Time Pickup and Delay | Adjustable Short Time Pickup with I ² t Short Delay and Ground Fault Protection | Independently Adjustable Short Time Pickup and Ground Fault Protection | | |
| Catalog Number | Catalog Number | Catalog Number | Catalog Number | | | Catalog Number | | |
| 800 | MDL3800F | HMDL3800F | MES3800LS | MES3800LSI | MES3800LSG | MES3800LSIG | LGFACT600 | See Page V4-T2-218 |

Types MDLB and HMDLB Electronic Circuit Breakers with Non-Interchangeable 310+ Trip Units ④

| Maximum Continuous Ampere Rating at 40 °C | Factory-Assembled Circuit Breaker Consisting of Frame and Trip Unit Less Terminals | | | | | Neutral CT for LSG and LSI ^{②③} |
|---|--|--|--|--|----------------|--|
| | LS | LSI | LSG | LSIG | | |
| | Adjustable Short Time Pickup with I ² t Short Delay Ramp | Independently Adjustable Short Time Pickup and Delay | Adjustable Short Time Pickup with I ² t Short Delay and Ground Fault Protection | Independently Adjustable Short Time Pickup and Ground Fault Protection | Catalog Number | |
| Catalog Number | Catalog Number | Catalog Number | Catalog Number | Catalog Number | Catalog Number | |
| Three-Pole Standard Interrupting Capacity 600 Vac Rated 50 kAIC at 480 Vac | | | | | | |
| 800 | MDLB3800FT33W | MDLB3800FT32W | MDLB3800FT35W | MDLB3800FT36W | MDLB3800FT36W | LGFACT600 |
| Three-Pole High Interrupting Capacity 600 Vac Rated 65 kAIC at 480 Vac | | | | | | |
| 800 | HMDLB3800FT33W | HMDLB3800FT32W | HMDLB3800FT35W | HMDLB3800FT36W | HMDLB3800FT36W | LGFACT600 |

100% Rated Types CMDL and CHMDL Electronic Circuit Breakers with Interchangeable Trip Units

The NEC allows the breaker to be rated at 100% of its frame size in an assembly, provided that 90 °C wire is applied at the 75 °C ampacity. All 100% rated circuit breakers have electronic trip units. Order as individual components: breaker frame, trip unit and terminals. See 310+ adjustability specifications on **Page V4-T2-220**.

100% Rated Types CMDL and CHMDL Electronic Circuit Breakers with Interchangeable 310+ Trip Units—Three-Pole

| Maximum Continuous Ampere Rating at 40 °C | Circuit Breaker Frame Only | | Digitrip RMS 310+ Trip Unit Only ① | | | | Neutral CT for LSG and LSI ^{②③} | Terminal Information |
|---|---|---|---|--|--|--|--|----------------------|
| | Standard Interrupting Capacity 600 Vac Rated 50 kAIC at 480 Vac | High Interrupting Capacity 600 Vac Rated 65 kAIC at 480 Vac | Standard LS | Options LSI | LSG | LSIG | | |
| | | | Adjustable Short Time Pickup with I ² t Short Delay Ramp | Independently Adjustable Short Time Pickup and Delay | Adjustable Short Time Pickup with I ² t Short Delay and Ground Fault Protection | Independently Adjustable Short Time Pickup and Ground Fault Protection | | |
| Catalog Number | Catalog Number | Catalog Number | Catalog Number | | | Catalog Number | | |
| 800 | CMDL3800F | CHMDL3800F | MES3800LS | MES3800LSI | MES3800LSG | MES3800LSIG | LGFACT600 | See Page V4-T2-218 |

Notes

- ① For AC use only.
- ② Required for four-wire systems if neutral protection is desired.
- ③ Included with LSG and LSI^② trip units or breakers.
- ④ Factory sealed, suitable for reverse feed application. CMDLB and CHMDLB are also available.