

2.3

Molded Case Circuit Breakers

Series C

2

J-Frame

Circuit Breaker Type	Continuous Ampere Rating at 40 °C	No. of Poles	Volts		Type of Trip ①	Federal Specification W-C-375b	UL Listed Interrupting Ratings (rms Symmetrical Amperes)								Page Number
			AC	DC			AC (kA)				DC (kA) ②				
							120	120/240	240	277	480	600	125	250	
JDB	70–250	2, 3	600	250	N.I.T.U.	22a	—	—	65	—	35	18	—	10	V4-T2-156
JD	70–250	2, 3, 4	600	250	I.T.U.	22a	—	—	65	—	35	18	—	10	V4-T2-155
HJD	70–250	2, 3, 4	600	250	I.T.U.	22a	—	—	100	—	65	25	—	22	V4-T2-155
JDC ③	70–250	2, 3, 4	600	250	I.T.U.	22a	—	—	200	—	100	35	—	22	V4-T2-155

K-Frame

Circuit Breaker Type	Continuous Ampere Rating at 40 °C	No. of Poles	Volts		Type of Trip ①	Federal Specification W-C-375b	UL Listed Interrupting Ratings (rms Symmetrical Amperes)								Page Number
			AC	DC			AC (kA)				DC (kA) ②				
							120	120/240	240	277	480	600	125	250	
DK	250–400	2, 3	240	250	N.I.T.U.	14b	—	—	65	—	—	—	—	10	V4-T2-167
KDB	100–400	2, 3	600	250	N.I.T.U.	23a	—	—	65	—	35	25	—	10	V4-T2-167
KD	100–400	2, 3, 4	600	250	I.T.U.	23a	—	—	65	—	35	25	—	10	V4-T2-164, V4-T2-165, V4-T2-169, V4-T2-172
CKD	100–400	2, 3, 4	600	250	I.T.U.	23a	—	—	65	—	35	25	—	—	V4-T2-166, V4-T2-175, V4-T2-177
HKD	100–400	2, 3, 4	600	250	I.T.U.	23a	—	—	100	—	65	35	—	22	V4-T2-164, V4-T2-165, V4-T2-169, V4-T2-172
CHKD	100–400	2, 3, 4	600	250	I.T.U.	23a	—	—	100	—	65	35	—	—	V4-T2-166, V4-T2-175, V4-T2-177
KDC ③	100–400	2, 3, 4	600	250	I.T.U.	23a	—	—	200	—	100	65	—	22	V4-T2-164, V4-T2-165, V4-T2-169, V4-T2-172

L-Frame

Circuit Breaker Type	Continuous Ampere Rating at 40 °C	No. of Poles	Volts		Type of Trip ①	Federal Specification W-C-375b	UL Listed Interrupting Ratings (rms Symmetrical Amperes)								Page Number
			AC	DC			AC (kA)				DC (kA) ②				
							120	120/240	240	277	480	600	125	250	
LDB	300–600	2, 3	600	250	N.I.T.U.	23a	—	—	65	—	35	25	—	22	V4-T2-190
LD	300–600	2, 3, 4	600	250	I.T.U.	23a	—	—	65	—	35	25	—	22	V4-T2-188, V4-T2-189, V4-T2-194
CLD	300–600	2, 3, 4	600	250	I.T.U.	23a	—	—	65	—	35	25	—	—	V4-T2-190, V4-T2-200
HLD	300–600	2, 3, 4	600	250	I.T.U.	23a	—	—	100	—	65	35	—	25	V4-T2-188, V4-T2-189, V4-T2-194
CHLD	300–600	2, 3, 4	600	250	I.T.U.	23a	—	—	100	—	65	35	—	—	V4-T2-190, V4-T2-200
LDC ③	300–600	2, 3, 4	600	250	I.T.U.	23a	—	—	200	—	100	50	—	30	V4-T2-188, V4-T2-189, V4-T2-196
CLDC ③	300–600	2, 3, 4	600	250	I.T.U.	23a	—	—	200	—	100	50	—	30	V4-T2-190, V4-T2-202

M-Frame

Circuit Breaker Type	Continuous Ampere Rating at 40 °C	No. of Poles	Volts		Type of Trip ①	Federal Specification W-C-375b	UL Listed Interrupting Ratings (rms Symmetrical Amperes)								Page Number
			AC	DC			AC (kA)				DC (kA) ②				
							120	120/240	240	277	480	600	125	250	
MDL	300–800	2, 3	600	250	I.T.U.	23a	—	—	65	—	50	25	—	22	V4-T2-213, V4-T2-215
CMDL	300–800	2, 3	600	250	I.T.U.	23a	—	—	65	—	50	25	—	—	V4-T2-215
HMDL	300–800	2, 3	600	250	I.T.U.	23a	—	—	100	—	65	35	—	25	V4-T2-213, V4-T2-215
CHMDL	300–800	2, 3	600	250	I.T.U.	23a	—	—	100	—	65	35	—	—	V4-T2-215

Notes

① N.I.T.U. is non-interchangeable trip unit and I.T.U. is interchangeable trip unit.

② Two-pole circuit breaker, or two poles of three-pole circuit breaker at 250 Vdc.

③ Current limiting.

Typical M-Frame Circuit Breaker



Contents

Description

	<i>Page</i>
Product Overview	V4-T2-116
Standards and Certifications	V4-T2-117
Quick Reference	V4-T2-118
G-Frame (15–100 Amperes)	V4-T2-121
F-Frame (10–225 Amperes)	V4-T2-135
J-Frame (70–250 Amperes)	V4-T2-153
K-Frame (70–400 Amperes)	V4-T2-161
L-Frame (125–600 Amperes)	V4-T2-185
M-Frame (300–800 Amperes)	
Catalog Number Selection	V4-T2-212
Product Selection	V4-T2-213
Accessories	V4-T2-218
Technical Data and Specifications	V4-T2-219
Dimensions and Weights	V4-T2-221
Motor Circuit Protectors (MCP)	V4-T2-256
N-Frame (400–1200 Amperes)	V4-T2-222
R-Frame (800–2500 Amperes)	V4-T2-237
Motor Protection Circuit Breakers (MPCB)	V4-T2-267
Type ELC Current Limiter Attachment (Size 0–4)	V4-T2-269
Current Limiting Circuit Breaker Module	V4-T2-270
Internal Accessories	V4-T2-273
External Accessories	V4-T2-306

M-Frame (300–800 Amperes)

Product Description

- All Eaton M-Frame circuit breakers are HACR rated
- MDL-Frame circuit breakers are available as individual components (frame, trip unit, terminals), or factory assembled complete breakers
- MDLB, HMDLB-Frame circuit breakers with non-interchangeable trip units are suitable for reverse feed use

Standards and Certifications

- CE marked



2.3

Molded Case Circuit Breakers

Series C

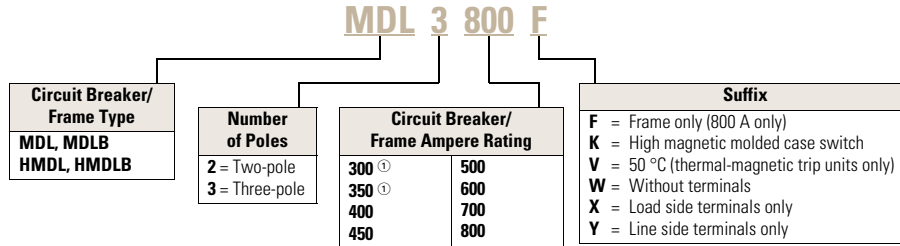
2

Catalog Number Selection

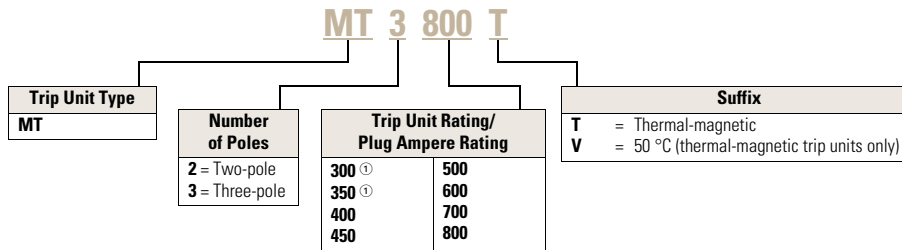
This information is presented only as an aid to understanding catalog numbers. It is not to be used to build catalog numbers for circuit breakers or trip units.

MDL Frame with Thermal-Magnetic Trip Unit Technology

Thermal-Magnetic Breakers and Frame ①

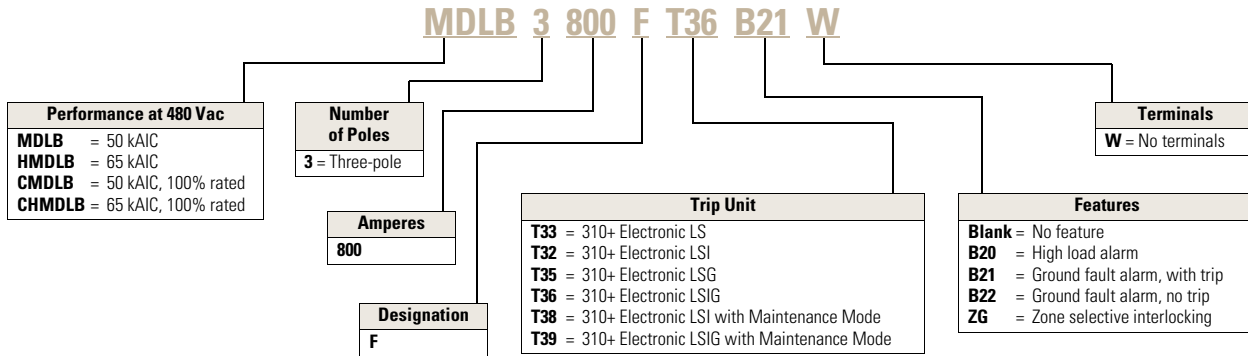


Thermal-Magnetic Trip Unit ①

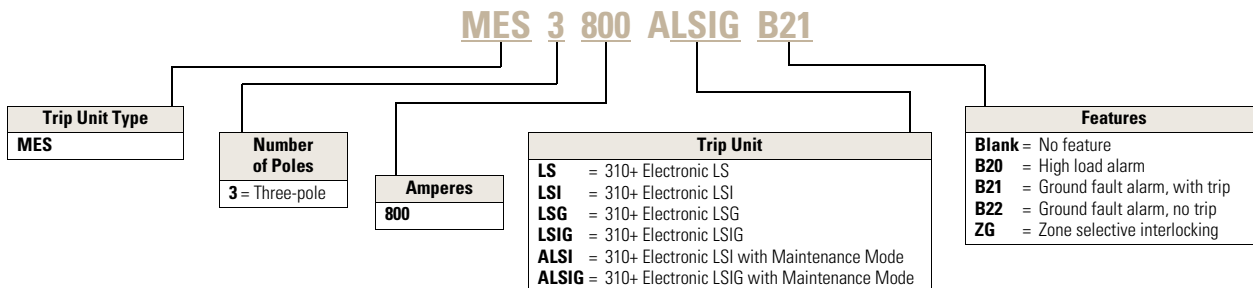


MDL Frame with 310+ Electronic Trip Unit Technology

310+ Circuit Breaker



310+ Electronic Trip Unit ①



Note

① Frames are the same for thermal-magnetic or 310+ electronic trip units, e.g., MDL3800F, HMDL3800F, etc.

Product Selection

Types MDL and HMDL Thermal-Magnetic Circuit Breakers with Interchangeable Trip Units—Two-Pole

Maximum Continuous Ampere Rating at 40 °C	Standard Interrupting Capacity 600 Vac Rated 50 kAIC at 480 Vac		High Interrupting Capacity 600 Vac Rated 65 kAIC at 480 Vac		Thermal-Magnetic Trip Unit Only	Standard Terminals Only ^① See Page V4-T2-217 for Optional Terminals Catalog Number
	Factory Assembled Circuit Consisting of Frame, Trip Unit and Terminals		Factory Assembled Circuit Consisting of Frame, Trip Unit and Terminals		For Use with Standard or High or Ultra High Interrupting Frames Magnetic Trip Range is 5–10 Up Through 600 A; 4–8 on 700 and 800 A x Continuous Ampere Rating Catalog Number	
	Catalog Number	Frame Only Catalog Number	Catalog Number	Frame Only Catalog Number		
300	MDL2300	MDL2800F	HMDL2300	HMDL2800F	MT2300T	TA700MA1
350	MDL2350		HMDL2350		MT2350T	TA700MA1
400	MDL2400		HMDL2400		MT2400T	TA700MA1
450	MDL2450		HMDL2450		MT2450T	TA700MA1
500	MDL2500		HMDL2500		MT2500T	TA700MA1
600	MDL2600		HMDL2600		MT2600T	TA700MA1
700	MDL2700		HMDL2700		MT2700T	TA700MA1
800	MDL2800		HMDL2800		MT2800T	TA800MA2

Types MDL and HMDL Thermal-Magnetic Circuit Breakers with Interchangeable Trip Units—Three-Pole

Maximum Continuous Ampere Rating at 40 °C	Standard Interrupting Capacity 600 Vac Rated 50 kAIC at 480 Vac		High Interrupting Capacity 600 Vac Rated 65 kAIC at 480 Vac		Thermal-Magnetic Trip Unit Only	Standard Terminals Only ^① See Page V4-T2-217 for Optional Terminals Catalog Number
	Factory Assembled Circuit Consisting of Frame, Trip Unit and Terminals		Factory Assembled Circuit Consisting of Frame, Trip Unit and Terminals		For Use with Standard or High or Ultra High Interrupting Frames Magnetic Trip Range is 5–10 Up Through 600 A; 4–8 on 700 and 800 A x Continuous Ampere Rating Catalog Number	
	Catalog Number	Frame Only Catalog Number	Catalog Number	Frame Only Catalog Number		
300	MDL3300	MDL3800F	HMDL3300	HMDL3800F	MT3300T	TA700MA1
350	MDL3350		HMDL3350		MT3400T	TA700MA1
400	MDL3400		HMDL3400		MT3400T	TA700MA1
450	MDL3450		HMDL3450		MT3450T	TA700MA1
500	MDL3500		HMDL3500		MT3500T	TA700MA1
600	MDL3600		HMDL3600		MT3600T	TA700MA1
700	MDL3700		HMDL3700		MT3700T	TA700MA1
800	MDL3800		HMDL3800		MT3800T	TA800MA2

Note

^① Two terminals are required per pole.

Molded Case Switches

Eaton's molded case switches are used as compact switches in applications requiring high current switching capabilities. Molded case switches are constructed of circuit breaker

components and are of the high instantaneous automatic type. Molded case switches are listed in accordance with Underwriters Laboratories Standard UL 489.

Molded Case Switches

Maximum Continuous Ampere Rating at 40 °C	600 Vac Maximum, 250 Vdc Circuit Breaker Only without Line and Load Terminals Catalog Number
Two-Pole	
800	MDL2800WK
	MDLB2800WK ①
	HMDL2800WK
Three-Pole	
800	MDL3800WK
	MDLB3800WK ①
	HMDL3800WK

Notes

① MDLB and HMDLB are suitable for reverse feed applications.

Molded case switch may trip above 6000 amperes.