

Typical L-Frame Circuit Breaker



Contents

| <i>Description</i> | <i>Page</i> |
|--|-------------|
| Product Overview | V4-T2-220 |
| Standards and Certifications | V4-T2-221 |
| Quick Reference | V4-T2-222 |
| G-Frame (15–100 Amperes) | V4-T2-225 |
| F-Frame (10–225 Amperes) | V4-T2-239 |
| J-Frame (70–250 Amperes) | V4-T2-257 |
| K-Frame (70–400 Amperes) | V4-T2-265 |
| L-Frame (125–600 Amperes) | |
| Catalog Number Selection | V4-T2-290 |
| Product Selection | V4-T2-292 |
| Accessories | V4-T2-308 |
| Technical Data and Specifications | V4-T2-310 |
| Dimensions and Weights | V4-T2-314 |
| M-Frame (300–800 Amperes) | V4-T2-315 |
| N-Frame (400–1200 Amperes) | V4-T2-326 |
| R-Frame (800–2500 Amperes) | V4-T2-341 |
| Motor Circuit Protectors (MCP) | V4-T2-360 |
| Motor Protection Circuit Breakers (MPCB) | V4-T2-371 |
| Type ELC Current Limiter Attachment (Size 0–4) | V4-T2-373 |
| Current Limiting Circuit Breaker Module | V4-T2-374 |
| Internal Accessories | V4-T2-377 |
| External Accessories | V4-T2-410 |

L-Frame (125–600 Amperes)

Product Description

- All Eaton L-Frame circuit breakers are HACR rated
- L-Frame circuit breakers are available as individual components (frame, trip unit, terminals), or factory assembled complete breakers
- L-Frame circuit breakers with non-interchangeable trip units are suitable for reverse feed use

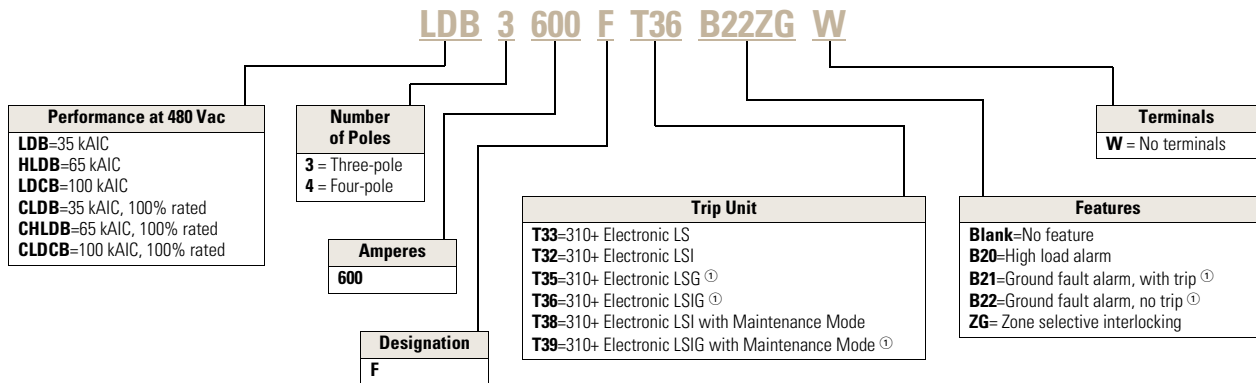
Standards and Certifications

- CE marked

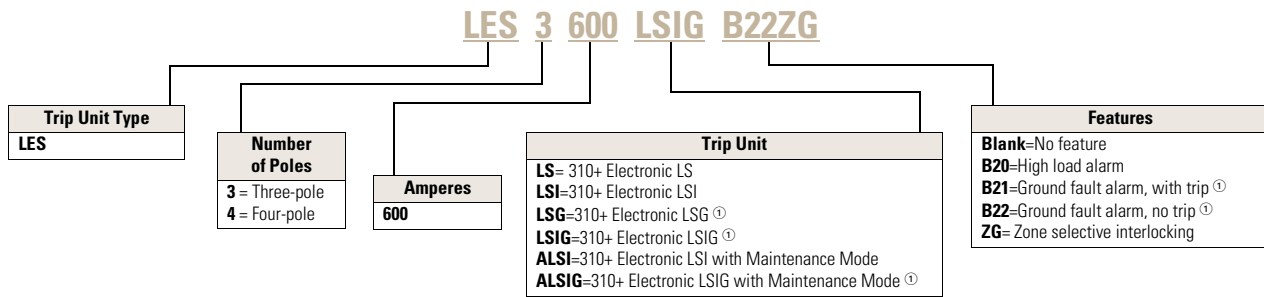


LD-Frame with 310+ Electronic Trip Unit Technology

310+ Circuit Breakers

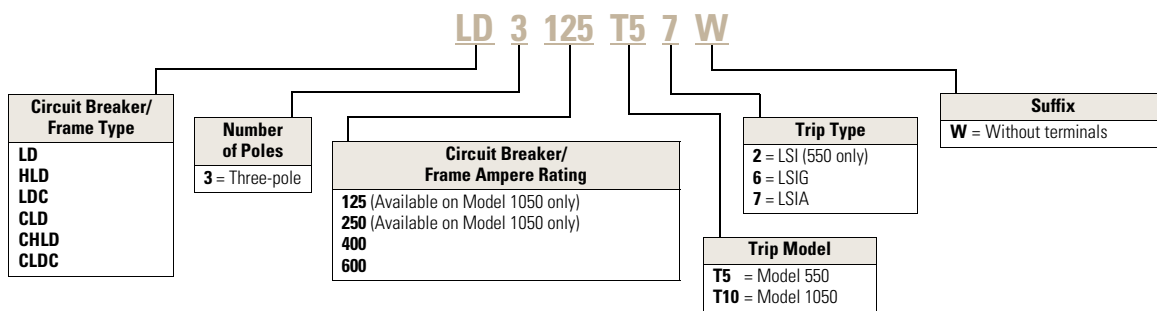


310+ Electronic Trip Units ②



LD-Frame with OPTIM Electronic Trip Unit Technology

OPTIM Circuit Breakers



Notes

- ① Not available in four-pole configurations.
- ② Frames are the same for thermal-magnetic or 310+ electronic trip units, e.g., LD3600F, HLD3600F, etc.

Types LD, HLD and LDC Electronic Circuit Breakers with Interchangeable Trip Units

Order as individual components: breaker frame, trip unit and terminals. See 310+ adjustability specifications on **Page V4-T2-286**.

Types LD, HLD and LDC Electronic Circuit Breakers with Interchangeable 310+ Trip Units

| Maximum Continuous Ampere Rating at 40 °C | Circuit Breaker Frame Only | | | Digitrip RMS 310+ Trip Unit Only ① | | | | Neutral CT for LSG and LSI ②③ | Terminal Information |
|---|---|---|---|---|--|--|--|-------------------------------|----------------------|
| | Standard Interrupting Capacity 600 Vac Rated 35 kAIC at 480 Vac | High Interrupting Capacity 600 Vac Rated 65 kAIC at 480 Vac | Ultra High Interrupting Capacity Current Limiting 600 Vac Rated 100 kAIC at 480 Vac | Standard LS | Optional LSI | LSG | LSIG | | |
| | Catalog Number | | | Adjustable Short Time Pickup with I ² t Short Delay Ramp | Independently Adjustable Short Time Pickup and Delay | Adjustable Short Time Pickup with I ² t Short Delay and Ground Fault Protection | Independently Adjustable Short Time Pickup and Ground Fault Protection | | |
| | | | | Catalog Number | | | | Catalog Number | |
| Three-Pole | | | | | | | | | |
| 600 | LD3600F | HLD3600F | LDC3600F | LES3600LS | LES3600LSI | LES3600LSG | LES3600LSIG | LGFACT600 | See Page V4-T2-284 |
| Four-Pole ④ | | | | | | | | | |
| 600 | LD4600F | HLD4600F | LDC4600F | LES4600LS | LES4600LSI | — | — | — | See Page V4-T2-284 |

Types LDB, HLDB and LDCB Electronic Circuit Breakers with Non-Interchangeable 310+ Electronic Trip Units Suitable for Reverse Feed

See 310+ adjustability specifications on **Page V4-T2-286**.

Circuit Breaker Frame Including Digitrip RMS 310+ Electronic Trip Unit Less Terminals
Types LDB, HLDB and LDCB with Digitrip 310+ Non-Interchangeable Trip Units

| Maximum Continuous Ampere Rating at 40 °C | Number of Poles | Factory Assembled Circuit Breaker Consisting of Frame and Trip Unit Less Terminals ① | | | | Neutral CT for LSG and LSI ②③ | Terminal Information |
|---|-----------------|--|--|--|--|-------------------------------|----------------------|
| | | Standard LS | Optional LSI | LSG | LSIG | | |
| | | Adjustable Short Time Pickup with I ² t Short Delay Ramp | Independently Adjustable Short Time Pickup and Delay | Adjustable Short Time Pickup with I ² t Short Delay and Ground Fault Protection | Independently Adjustable Short Time Pickup and Ground Fault Protection | | |
| | | Catalog Number | | | | Catalog Number | |
| 600 | 3 | LDB3600FT33W | LDB3600FT32W | LDB3600FT35W | LDB3600FT36W | LGFACT600 | See Page V4-T2-284 |
| 600 | 3 | HLDB3600FT33W | HLDB3600FT32W | HLDB3600FT35W | HLDB3600FT36W | | |
| 600 | 3 | LDCB3600FT33W | LDCB3600FT32W | LDCB3600FT35W | LDCB3600FT36W | | |

100% Rated Types CLD, CHLD and CLDC Electronic Circuit Breakers with Interchangeable Trip Units

The NEC allows the breaker to be rated at 100% of its frame size in an assembly, provided that 90 °C wire is applied at the 75 °C ampacity. All 100% rated circuit breakers have electronic trip units. Order as individual components: breaker frame, trip unit and terminals. See 310+ adjustability specifications on **Page V4-T2-286**.

100% Rated Types CLD, CHLD and CLDC Electronic Circuit Breakers with 310+ Interchangeable Trip Units

| Maximum Continuous Ampere Rating at 40 °C | Circuit Breaker Frame Only | | | Digitrip RMS 310+ Trip Unit Only | | | | Neutral CT for LSG and LSI ②③ | Terminal Information |
|---|---|---|---|---|--|--|--|-------------------------------|----------------------|
| | Standard Interrupting Capacity 600 Vac Rated 35 kAIC at 480 Vac | High Interrupting Capacity 600 Vac Rated 65 kAIC at 480 Vac | Ultra High Interrupting Capacity Current Limiting 600 Vac Rated 100 kAIC at 480 Vac | Standard LS | Optional LSI | LSG | LSIG | | |
| | Catalog Number | | | Adjustable Short Time Pickup with I ² t Short Delay Ramp | Independently Adjustable Short Time Pickup and Delay | Adjustable Short Time Pickup with I ² t Short Delay and Ground Fault Protection | Independently Adjustable Short Time Pickup and Ground Fault Protection | | |
| | | | | Catalog Number | | | | Catalog Number | |
| Three-Pole | | | | | | | | | |
| 600 | CLD3600F | CHLD3600F | CLDC3600F | LES3600LS | LES3600LSI | LES3600LSG | LES3600LSIG | LGFACT600 | See Page V4-T2-284 |

Notes

- ① For AC use only.
- ② Required for four-wire systems if neutral protection is desired.
- ③ Included with LSG and LSI trip units.
- ④ Neutral is in right pole.