

Typical L-Frame Circuit Breaker



## Contents

### Description

	<i>Page</i>
Product Overview . . . . .	<b>V4-T2-220</b>
Standards and Certifications . . . . .	<b>V4-T2-221</b>
Quick Reference . . . . .	<b>V4-T2-222</b>
G-Frame (15–100 Amperes) . . . . .	<b>V4-T2-225</b>
F-Frame (10–225 Amperes) . . . . .	<b>V4-T2-239</b>
J-Frame (70–250 Amperes) . . . . .	<b>V4-T2-257</b>
K-Frame (70–400 Amperes) . . . . .	<b>V4-T2-265</b>
L-Frame (125–600 Amperes)	
Catalog Number Selection . . . . .	<b>V4-T2-290</b>
Product Selection . . . . .	<b>V4-T2-292</b>
Accessories . . . . .	<b>V4-T2-308</b>
Technical Data and Specifications . . . . .	<b>V4-T2-310</b>
Dimensions and Weights . . . . .	<b>V4-T2-314</b>
M-Frame (300–800 Amperes) . . . . .	<b>V4-T2-315</b>
N-Frame (400–1200 Amperes) . . . . .	<b>V4-T2-326</b>
R-Frame (800–2500 Amperes) . . . . .	<b>V4-T2-341</b>
Motor Circuit Protectors (MCP) . . . . .	<b>V4-T2-360</b>
Motor Protection Circuit Breakers (MPCB) . . . . .	<b>V4-T2-371</b>
Type ELC Current Limiter Attachment (Size 0–4) . . . . .	<b>V4-T2-373</b>
Current Limiting Circuit Breaker Module . . . . .	<b>V4-T2-374</b>
Internal Accessories . . . . .	<b>V4-T2-377</b>
External Accessories . . . . .	<b>V4-T2-410</b>

## L-Frame (125–600 Amperes)

### Product Description

- All Eaton L-Frame circuit breakers are HACR rated
- L-Frame circuit breakers are available as individual components (frame, trip unit, terminals), or factory assembled complete breakers
- L-Frame circuit breakers with non-interchangeable trip units are suitable for reverse feed use

### Standards and Certifications

- CE marked



# 2.4

## Molded Case Circuit Breakers

### Series C

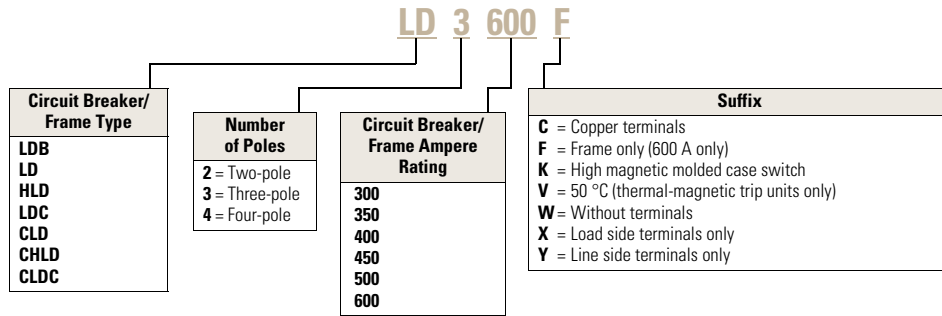
2

#### Catalog Number Selection

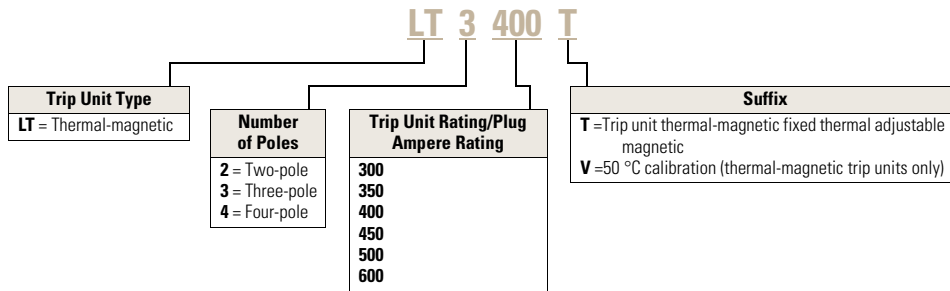
This information is presented only as an aid to understanding catalog numbers. It is not to be used to build catalog numbers for circuit breakers or trip units.

#### LD-Frame with Thermal-Magnetic Trip Unit Technology

##### Thermal-Magnetic Breakers and Frame ①



##### Thermal-Magnetic Trip Unit ①



**Note**

① Frames are the same for thermal-magnetic or 310+ electronic trip units, e.g., **LD3600F**, **HLD3600F**, etc.

#### Type LDB Thermal-Magnetic Circuit Breakers with Non-Interchangeable Trip Units <sup>①</sup>

Maximum Continuous Ampere Rating	600 Vac Rated, 250 Vdc Complete Circuit Breaker	
	Without Line and Load Terminals Catalog Number	With Standard Line and Load Terminals Only Catalog Number
<b>Two-Pole</b>		
300	LDB2300W	LDB2300
350	LDB2350W	LDB2350
400	LDB2400W	LDB2400
450	LDB2450W	LDB2450
500	LDB2500W	LDB2500
600	LDB2600W	LDB2600
<b>Three-Pole</b>		
300	LDB3300W	LDB3300
350	LDB3350W	LDB3350
400	LDB3400W	LDB3400
450	LDB3450W	LDB3450
500	LDB3500W	LDB3500
600	LDB3600W	LDB3600

#### Molded Case Switches

Eaton's molded case switches are used as compact switches in applications requiring high current switching capabilities. Molded case switches are constructed of circuit breaker

components and are of the high instantaneous automatic type. Molded case switches are listed in accordance with Underwriters Laboratories Standard UL 489.

#### Molded Case Switches

Maximum Continuous Ampere Rating at 40 °C	600 Vac Maximum, 250 Vdc Circuit Breaker Only without Line and Load Terminals	
	Catalog Number	Standard Terminals Only See Page V4-T2-307 for Optional Terminals Catalog Number
<b>Two-Pole</b>		
600	LD2600WK	2TA603LDK
600	LDB2600WK <sup>①</sup>	2TA603LDK
600	HLD2600WK	2TA603LDK
<b>Three-Pole</b>		
600	LD3600WK	3TA603LDK
600	LDB3600WK <sup>①</sup>	3TA603LDK
600	HLD3600WK	3TA603LDK
<b>Four-Pole</b>		
600	LD4600WK	4TA603LDK
600	LDB4600WK <sup>①</sup>	4TA603LDK
600	HLD4600WK	4TA603LDK

#### Notes

<sup>①</sup> Factory sealed—suitable for reverse feed application.

Molded case switch will trip above 6000 amperes.